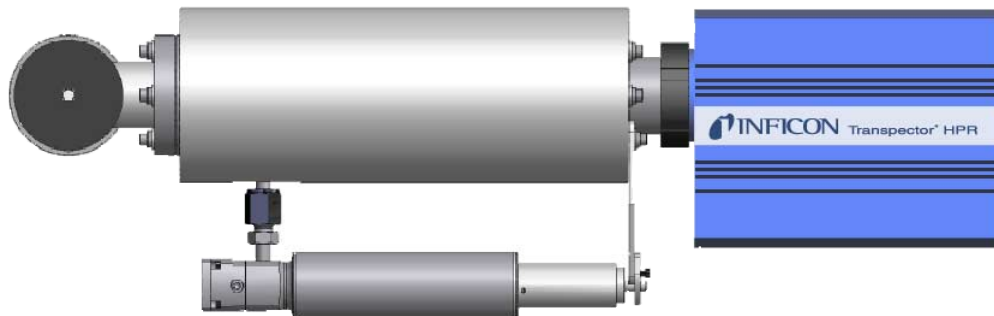


Transpector[®] HPR

Gas Analysis System



CONSISTENT SENSITIVITY FOR OPTIMAL CONTAMINATION CONTROL

The INFICON Transpector[®] HPR combines the high performance of a Transpector RGA with a calibration reference to make an automated instrument for performing tool diagnostics and monitoring. Combined with the powerful capabilities of INFICON FabGuard Sensor Integration and Analysis System, Transpector HPR has the ability to monitor itself, as well as monitor the tool for discrepancies and flaws in the process.

GENERAL APPLICATIONS

- Helium leak detection of various tool modules
- Monitoring of module conditions for preventive maintenance purposes
- Record data after preventive maintenance
- Rate of rise measurements
- Background condition monitoring

FEATURES AT A GLANCE:

- Various AMU mass ranges with a combination Faraday cup / electron multiplier
- Automatic EM gain adjustments
- Nine decades of dynamic range
- Automatic tuning of mass position and resolution
- Variable dwell times for superior signal-to-noise ratios
- MDPP of 5E-15 Torr (100 AMU version)

SPECIFICATIONS

Mass range	100, 200 or 300 AMU
Detector type	EM/FC
Resolution	< 1 AMU wide @ 10% peak height over the entire mass range
Temperature coefficient	< 1% of peak height per °C
Sensitivity: FC EM	• 1E-4 amps / Torr • 500 amps / Torr
Minimum detectable partial pressure	• 5E-15 Torr (100 AMU version)
Maximum operating pressure	5E-4 Torr
Maximum sensor operating temperature	250°C
Nominal sensor operating temperature	150°C with supplied heater
Operating power	24 v DC (power supply included)
Communications	Addressable RS-485 communications
EM gain adjustment	Automated with user defined timing
Tuning of mass position	Automated with user defined timing
Tuning of mass resolution	Automated with user defined timing



GLOBAL HEADQUARTERS:

Two Technology Place, East Syracuse, NY 13057 USA
Tel: +1.315.434.1100 Fax: +1.315.437.3803 E-mail: reachus@inficon.com

UNITED STATES FRANCE GERMANY LIECHTENSTEIN SWITZERLAND UNITED KINGDOM CHINA JAPAN KOREA SINGAPORE TAIWAN

Visit our website for contact information and other sales offices worldwide. www.inficon.com
Transpector is a registered trademark of INFICON. Due to our continuing program of product improvement, specifications are subject to change without notice.
aibc05a1 ©2003 INFICON