

# Rapid Fastening Clamp All Metal

---

INFICON ISO-KF fittings are manufactured according to ISO 2861/1, DIN 28403 and Pneurop 6606. Our quality fittings are the standard components for all vacuum and high vacuum applications. The high quality INFICON components are designed and tested for leak rates less than  $1 \times 10^{-9}$  mbar l/s.



## BENEFITS

---

- Competitively priced
- Design and measures follow strictly international respected standards
- World wide logistics
- 2011/65/EU RoHS compliant

## ORDER INFORMATION

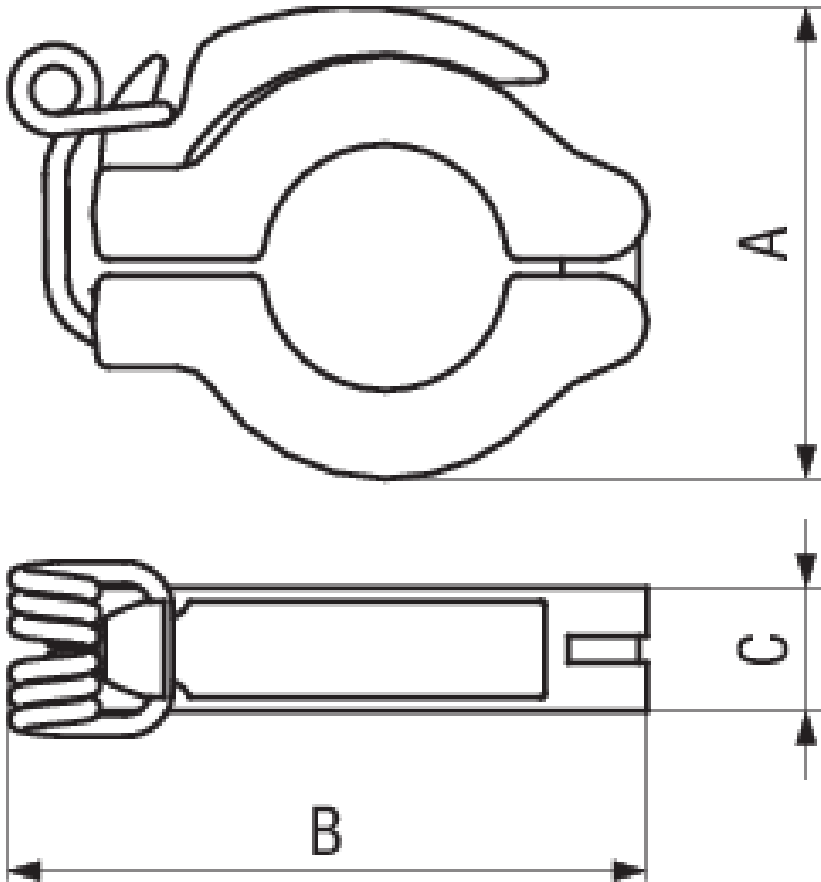
---

Type	DN 10 - 16 ISO-KF	DN 20 - 25 ISO-KF	DN 32 - 40 ISO-KF
Quick clamping ring DN 10-16 ISO-KF	211-036		
Quick clamping ring DN 20-25 ISO-KF		211-037	
Quick clamping ring DN 32-40 ISO-KF			211-038

## SPECIFICATIONS

Type	DN 10 - 16 ISO-KF	DN 20 - 25 ISO-KF	DN 32 - 40 ISO-KF
Dimension A	53	61	78
Dimension B	71	82	99
Dimension C	16	16	18
Spring:	Stainless Steel	Stainless Steel	Stainless Steel
Clamping ring half:	Aluminum 380.0	Aluminum 380.0	Aluminum 380.0
Lever:	Aluminum -/3.2582	Aluminum -/3.2582	Aluminum -/3.2582
Temperature:	Max. 150°C	Max. 150°C	Max. 150°C

## DIMENSIONS



[www.inficon.com](http://www.inficon.com)    [reachus@inficon.com](mailto:reachus@inficon.com)

Due to our continuing program of product improvements, specifications are subject to change without notice. RateWatcher is a trademark of INFICON. All other trademarks are the property of their respective owners.

(2016-08)    © 2016 INFICON