

Reducer - Stainless Steel

INFICON ISO-KF fittings are manufactured according to ISO 2861/1, DIN 28403 and Pneurop 6606. Our quality fittings are the standard components for all vacuum and high vacuum applications. The high quality INFICON components are designed and tested for leak rates less than 1×10^{-9} mbar l/s.

ADVANTAGES

- Competitively priced
- World wide logistics
- Design and measures follow strictly international respected standards
- Surface finish, welds, material specifications and cleanliness meet or exceed high vacuum specifications
- 2011/65/EU RoHS compliant



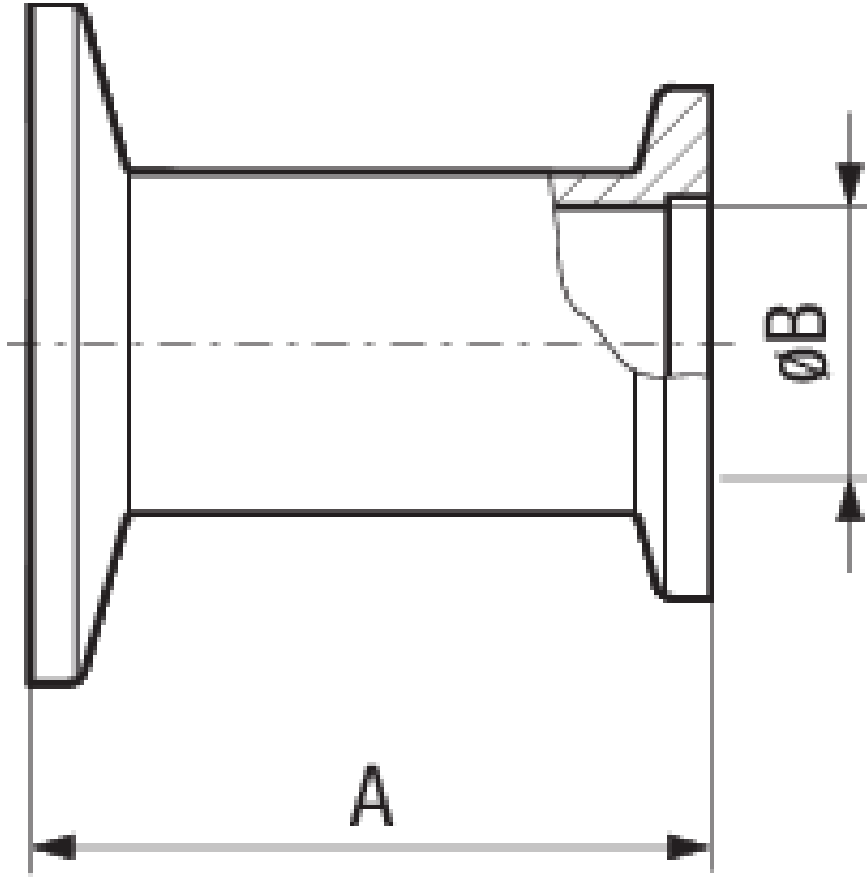
ORDER INFORMATION

Type	DN 25/16 ISO-KF	DN 40/16 ISO-KF	DN 40/25 ISO-KF	DN 50/16 ISO-KF	DN 50/25 ISO-KF	DN 50/40 ISO-KF
Reducing intermediate piece, DN40/16KF		211-282				
Reducing intermediate piece, DN40/25KF			211-283			
Reducing intermediate piece, DN50/16KF				211-323		
Reducing intermediate piece, DN50/25KF					211-324	
Reducing intermediate piece, DN50/40KF						211-284
Reducing intermediate piece, SS, 25/16KF	211-281					

SPECIFICATIONS

Type	DN 25/16 ISO-KF	DN 40/16 ISO-KF	DN 40/25 ISO-KF	DN 50/16 ISO-KF	DN 50/25 ISO-KF	DN 50/40 ISO-KF
Dimension A	40	40	40	40	40	40
Dimension B	16	16	26	16	26	40
Material:	Stainless Steel 304/1.4301	Stainless Steel 304/1.4301	Stainless Steel 304/1.4301	Stainless Steel 304/1.4301	Stainless Steel 304/1.4301	Stainless Steel 304/1.4301

DIMENSIONS



www.inficon.com reachus@inficon.com

Due to our continuing program of product improvements, specifications are subject to change without notice. RateWatcher is a trademark of INFICON. All other trademarks are the property of their respective owners.

(2021-07) © 2021 INFICON