

# Centering Ring with Fine Filter

INFICON ISO-KF fittings are manufactured according to ISO 2861/1, DIN 28403 and Pneurop 6606. Our quality fittings are the standard components for all vacuum and high vacuum applications. The high quality INFICON components are designed and tested for leak rates less than  $1 \times 10^{-9}$  mbar l/s.



## BENEFITS

- Competitively priced
- World wide logistics
- Design and measures follow strictly international respected standards
- 2011/65/EU RoHS compliant

## ORDER INFORMATION

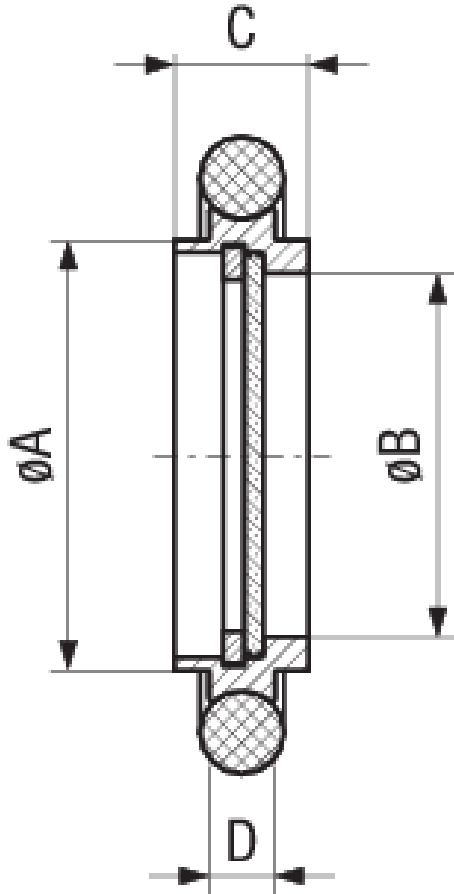
Type	DN 10 ISO-KF	DN 16 ISO-KF	DN 25 ISO-KF	DN 40 ISO-KF	DN 50 ISO-KF
Centering ring with fine filter DN 10 KF	211-096				
Centering ring with fine filter DN 16 KF		211-097			
Centering ring with fine filter DN 25 KF			211-098		
Centering ring with fine filter DN 40 KF				211-099	
Centering ring with fine filter DN 50 KF					211-100

## SPECIFICATIONS

Type	DN 10 ISO-KF	DN 16 ISO-KF	DN 25 ISO-KF	DN 40 ISO-KF	DN 50 ISO-KF
Dimension A	12	17	26	41	52
Dimension B	9	13	22	35.5	45.7
Dimension C	8	8	8	8	8
Dimension D	3.9	3.9	3.9	3.9	3.9
Pore size:	0.004 mm	0.004 mm	0.004 mm	0.004 mm	0.004 mm
Inner ring:	Stainless Steel 303/1.4305	Stainless Steel 303/1.4305	Stainless Steel 303/1.4305	Stainless Steel 303/1.4305	Stainless Steel 303/1.4305
Snab ring:	Stainless Steel 304/1.4301	Stainless Steel 304/1.4301	Stainless Steel 304/1.4301	Stainless Steel 304/1.4301	Stainless Steel 304/1.4301
Filter:	Stainless Steel 316L / 1.4404	Stainless Steel 316L / 1.4404	Stainless Steel 316L / 1.4404	Stainless Steel 316L / 1.4404	Stainless Steel 316L / 1.4404
Seal:	FPM	FPM	FPM	FPM	FPM

## DIMENSIONS

---



[www.inficon.com](http://www.inficon.com)    [reachus@inficon.com](mailto:reachus@inficon.com)

Due to our continuing program of product improvements, specifications are subject to change without notice.  
RateWatcher is a trademark of INFICON. All other trademarks are the property of their respective owners.

(2017-09)    © 2017 INFICON