



TECHNICAL NOTE

Mobile Cart for Transpector CIS2 and IPC400 Systems

The INFICON Mobile Cart allows any Transpector CIS2 Gas Analysis System or IPC400 Pumping Package to become a mobile troubleshooting instrument. The self-contained cart allows either system to be transported from tool to tool with the flexibility to adjust to various tool heights and process connections. Perfect for tight tool spaces, the mechanical arm mechanism allows the sampling system to rotate and move vertically or horizontally.

The Mobile Cart houses the entire system including foreline pump, Power Module or IPC400 controller, desktop computer, and a 17-inch flat panel display or 15-inch CRT monitor. With all devices secured to the cart, mobility is easy. A slide out mouse pad and storage compartment makes the system a truly mobile diagnostics instrument.

FACILITIES

The Mobile Cart comes equipped with a power strip that can be used to power the computer, monitor, controllers, etc. There are also connections for compressed air, nitrogen, exhaust, and power if the particular system requires it.

MAXIMUM ADJUSTMENTS AND FLEXIBILITY

A scale indicator on the arm support shows the height from the center of the inlet to the floor. The maximum height from the floor to the inlet is 48 inches (121.9 cm) and the minimum height from the floor to the inlet is 36 inches (91.4 cm). This allows the system to accommodate a variety of tool connection heights.

The IPC400 or Transpector CIS2 system mounts on a vacuum system plate that rotates 180°. This vacuum system plate is mounted at the end of an elbow-like arm. Above the height of the computer, the arm will swing 180°. Below the height of the PC, the arm will swing 90° in the direction away

from the PC. This range of motion provides further flexibility for connecting to tools of various heights and configurations.

INSTALLATION

The Mobile Cart is shipped fully assembled, however, the customer is responsible for mounting the computer and CRT monitor or flat panel display and mounting either the IPC400 or Transpector CIS2 system on the support arm, as well as the system controllers. The Mobile Cart operating manual details the installation procedures.

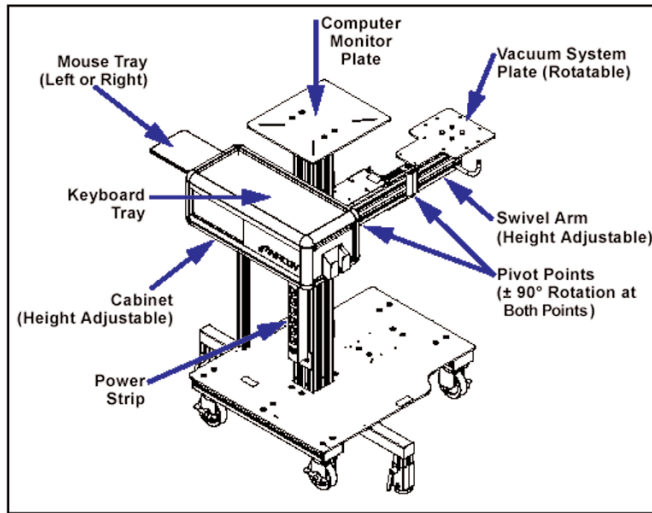
SAFETY PRECAUTIONS

The monitor stand will safely support either a 15-inch CRT monitor or 17-inch flat panel display. Clamps are used to attach the monitor or display to the monitor stand. The swiveling vacuum system plate should be locked into place with the locking pins when moving the cart. Once the cart is properly positioned for operation, the outriggers should be engaged for overall stability and the brakes should be applied to the wheels. All handles should be tightened once the final height and position adjustments are made.

The new Mobile Cart completely packages a Transpector CIS2 Gas Analysis System or IPC400 Pumping Package into a mobile troubleshooting instrument for conveniently moving from tool to tool. The Mobile Cart further expands the flexibility of these gas analysis systems by adjusting to various tool heights and process connections to perform mobile diagnostics.

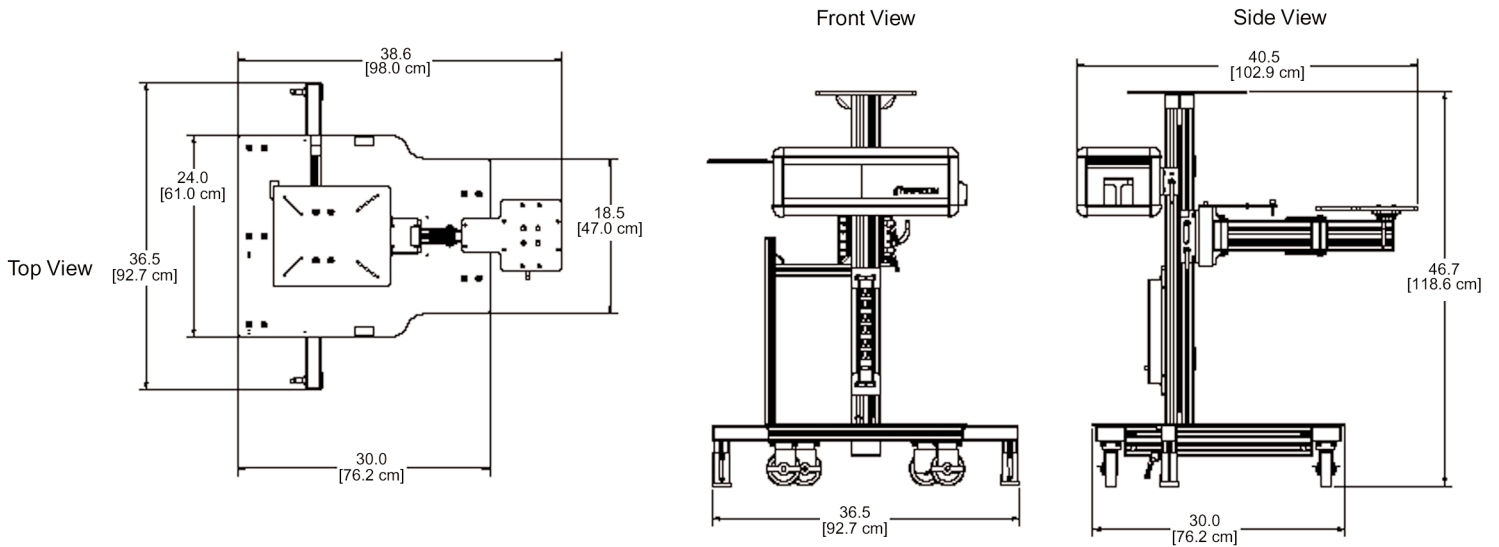
	IPC400 Standard Pumps	CPM Corrosive Pumps	CIS2 PVD System	CIS2 CVD System	CIS2 ATM System
Power	120 or 230 VAC	120 or 230 VAC	120 or 230 VAC	120 or 230 VAC	120 or 230 VAC
Valve actuation (Air or N₂)	Manual N/A EP 70-110 psig	EP 70-110 psig	EP 70-110 psig	EP 70-110 psig	EP 70-110 psig
Nitrogen purge	Not required	15 psig N ₂	Not required	15 psig N ₂	If corrosive application
Exhaust	Not required	Required	Not required	Required	If corrosive application

Facilities for various installations



Mobile Cart features

MOBILE CART DIMENSIONAL INFORMATION



GLOBAL HEADQUARTERS:

Two Technology Place, East Syracuse, NY 13057 USA
 Tel: +1.315.434.1100 Fax: +1.315.437.3803 E-mail: reachus@inficon.com

UNITED STATES FRANCE GERMANY LIECHTENSTEIN SWITZERLAND UNITED KINGDOM CHINA JAPAN KOREA SINGAPORE TAIWAN

Visit our website for contact information and other sales offices worldwide. www.inficon.com
 Tware 32 is a trademark of INFICON Inc.

aicb50a1 ©2001 INFICON Inc.