

## Porter CDG020D Torr based other ranges

---

The INFICON Porter CDG020D Capacitance Diaphragm Gauge is a high quality, cost effective, gas type independent absolute pressure sensor. The Porter is designed for stable long time performance in industrial environments. The ceramic sensor provides excellent span stability over many years of maintenance free operation paired with outstanding zero stability. The corrosion resistant single material sensor architecture guarantees excellent temperature compensation. Fully digital electronics and small footprint defines flexibility in any integration. The Porter vacuum gauge is humble, reliable, always available and never overpaid.

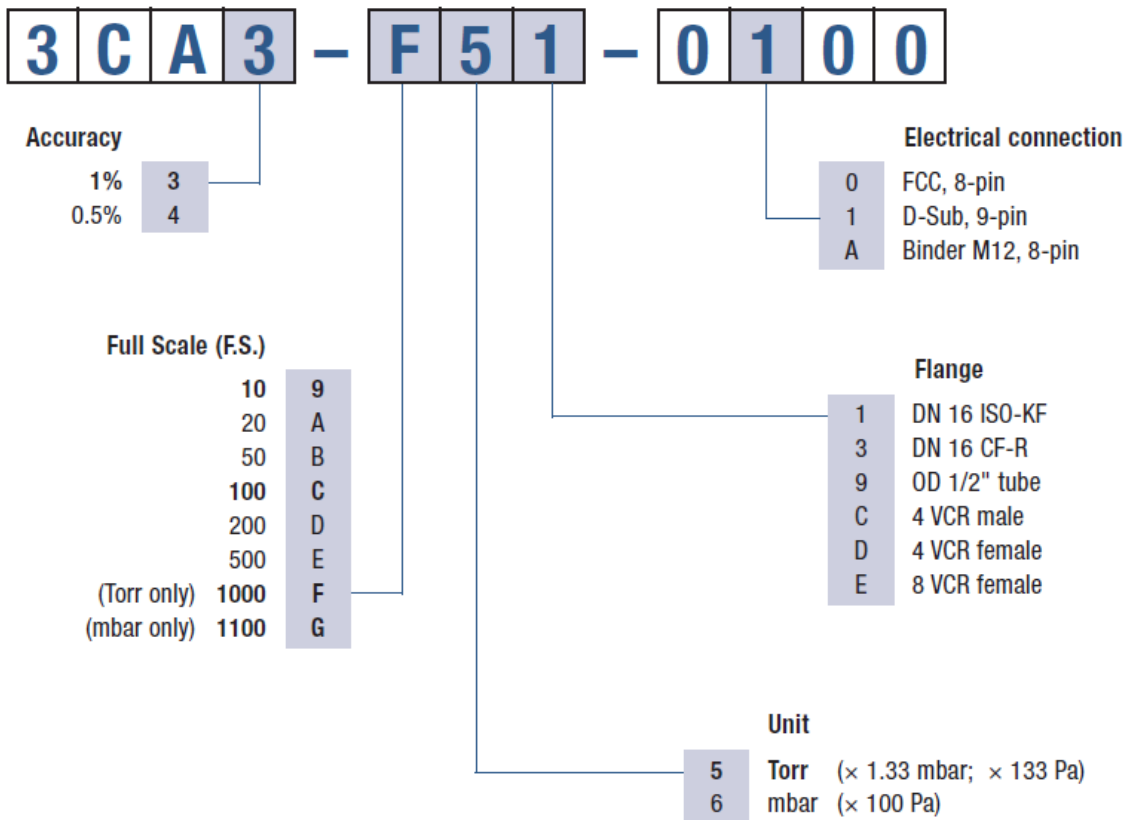


### **BENEFITS**

---

- Excellent span stability – gas type independent
- Corrosion resistant alumina sensor
- Compact, smallest size in it's class
- Easy integration, any mounting orientation
- Digital signal processing
- Maintenance free

**ORDERING INFORMATION**



**bold = standard products**

Other flange types and full scales (F.S.) on request.

## SPECIFICATIONS

Type		500 Torr	200 Torr	50 Torr	20 Torr
F.S. (Full Scale)	Torr	500	200	50	20
F.S. (Full Scale)	Pa	66,661	26,664	6,666	2,666
F.S. (Full Scale)	mbar	667	267	66.7	27
Accuracy (1)					
3CA3-xxx-xxx	% of reading	1	1	1	1
3CA4-	% of reading	0.5	0.5	0.5	0.5
Temperature effect					
on zero	percent FS/°C	0.02	0.02	0.02	0.02
Temperature effect					
on span	% of reading / °C	0.02	0.02	0.02	0.02
Resolution	percent FS	0.05	0.05	0.05	0.05
Long time stability	percent FS/yr.	0.5	0.5	0.5	0.5
Lowest reading	percent FS	0.05	0.05	0.05	0.05
Temperature compensated range	°C	+10 ... +50	+10 ... +50	+10 ... +50	+10 ... +50
Admissible temperature					
Operation (ambient)	°C	0 ... +70	0 ... +70	0 ... +70	0 ... +70
Bakeout at flange (2)	°C	≤110	≤110	≤110	≤110
Storage	°C	-20 ... +85	-20 ... +85	-20 ... +85	-20 ... +85
Ambient humidity limits	percent RH	<80%, non-condensing	<80%, non-condensing	<80%, non-condensing	<80%, non-condensing
Supply voltage	V (dc)	+13 ... +30	+13 ... +30	+13 ... +30	+13 ... +30
Power consumption	W	≤0.3	≤0.3	≤0.3	≤0.3
Output signal (analog)	V (dc)	0 ... +10	0 ... +10	0 ... +10	0 ... +10
Max. output voltage	V (dc)	10.24	10.24	10.24	10.24
Response time (3)	ms	100	100	100	100
Degree of protection		IP 40	IP 40	IP 40	IP 40
Standards					
CE conformity		EMC (EN 61000-6-2, EN 61000-6-3), EN 61010-1 & RoHS	EMC (EN 61000-6-2, EN 61000-6-3), EN 61010-1 & RoHS	EMC (EN 61000-6-2, EN 61000-6-3), EN 61010-1 & RoHS	EMC (EN 61000-6-2, EN 61000-6-3), EN 61010-1 & RoHS
ETL certification		UL 61010-1, CAN/CSA C22.2 No.61010-1	UL 61010-1, CAN/CSA C22.2 No.61010-1	UL 61010-1, CAN/CSA C22.2 No.61010-1	UL 61010-1, CAN/CSA C22.2 No.61010-1
SEMI compliance		SEMI S2	SEMI S2	SEMI S2	SEMI S2

## SPECIFICATIONS

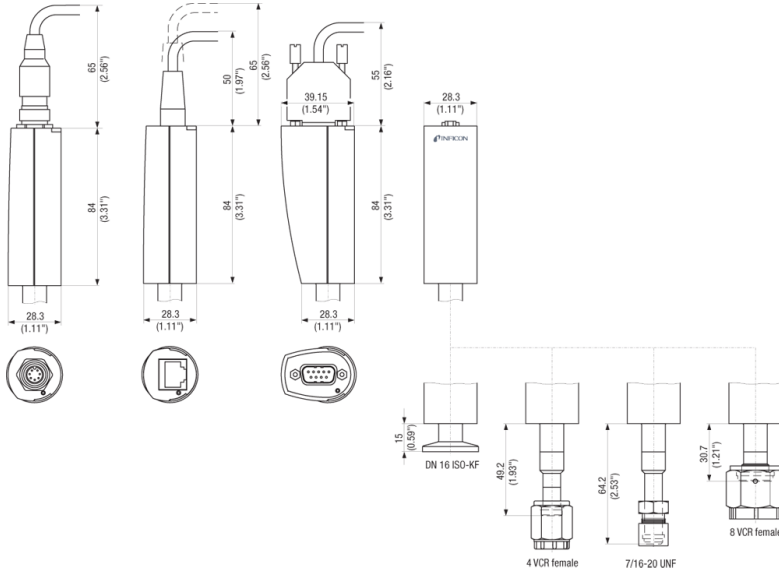
Type		500 Torr	200 Torr	50 Torr	20 Torr
Electrical connection					
3CAx-xxx-0000		FCC, 8-pin	FCC, 8-pin	FCC, 8-pin	FCC, 8-pin
3CAx-xxx-0100		D-Sub, 9-pin, male	D-Sub, 9-pin, male	D-Sub, 9-pin, male	D-Sub, 9-pin, male
3CAx-xxx-0A00		Binder M12, 8-pin, male	Binder M12, 8-pin, male	Binder M12, 8-pin, male	Binder M12, 8-pin, male
Materials exposed to vacuum		Aluminum oxide ceramic (Al <sub>2</sub> O <sub>3</sub> ), stainless steel 1.4404 / AISI 316L	Aluminum oxide ceramic (Al <sub>2</sub> O <sub>3</sub> ), stainless steel 1.4404 / AISI 316L	Aluminum oxide ceramic (Al <sub>2</sub> O <sub>3</sub> ), stainless steel 1.4404 / AISI 316L	Aluminum oxide ceramic (Al <sub>2</sub> O <sub>3</sub> ), stainless steel 1.4404 / AISI 316L
Tightness	mbar•L/s	<1×10 <sup>-9</sup>	<1×10 <sup>-9</sup>	<1×10 <sup>-9</sup>	<1×10 <sup>-9</sup>
Mounting orientation		any	any	any	any
Internal volume					
I. volume DN 16 ISO-KF	cm <sup>3</sup> (in. <sup>3</sup> )	3.7 (0.226)	3.7 (0.226)	3.7 (0.226)	3.7 (0.226)
I. volume 4 VCR male	cm <sup>3</sup> (in. <sup>3</sup> )	6.1 ( 0.372)	6.1 ( 0.372)	6.1 ( 0.372)	6.1 ( 0.372)
I. volume 4 VCR female	cm <sup>3</sup> (in. <sup>3</sup> )	5.6 ( 0.342)	5.6 ( 0.342)	5.6 ( 0.342)	5.6 ( 0.342)
I. volume 8 VCR female	cm <sup>3</sup> (in. <sup>3</sup> )	5.1 ( 0.311)	5.1 ( 0.311)	5.1 ( 0.311)	5.1 ( 0.311)
Weight					
Weight DN 16 ISO-KF	g	~110	~110	~110	~110
Weight 4 VCR male	g	~123	~123	~123	~123
Weight 4 VCR female	g	~133	~133	~133	~133
Weight 8 VCR female	g	~159	~159	~159	~159
Maintenance		none	none	none	none

(1) Non-linearity, hysteresis, repeatability at 25 °C ambient operating temperature without temperature effects after 2 hours operation.

(2) Non operation

(3) Increase 10 ... 90% percent F.S.

## DIMENSIONS



[www.inficon.com](http://www.inficon.com) [reachus@inficon.com](mailto:reachus@inficon.com)

Due to our continuing program of product improvements, specifications are subject to change without notice. RateWatcher is a trademark of INFICON. All other trademarks are the property of their respective owners.