

SKY CDG045D Torr based standard products

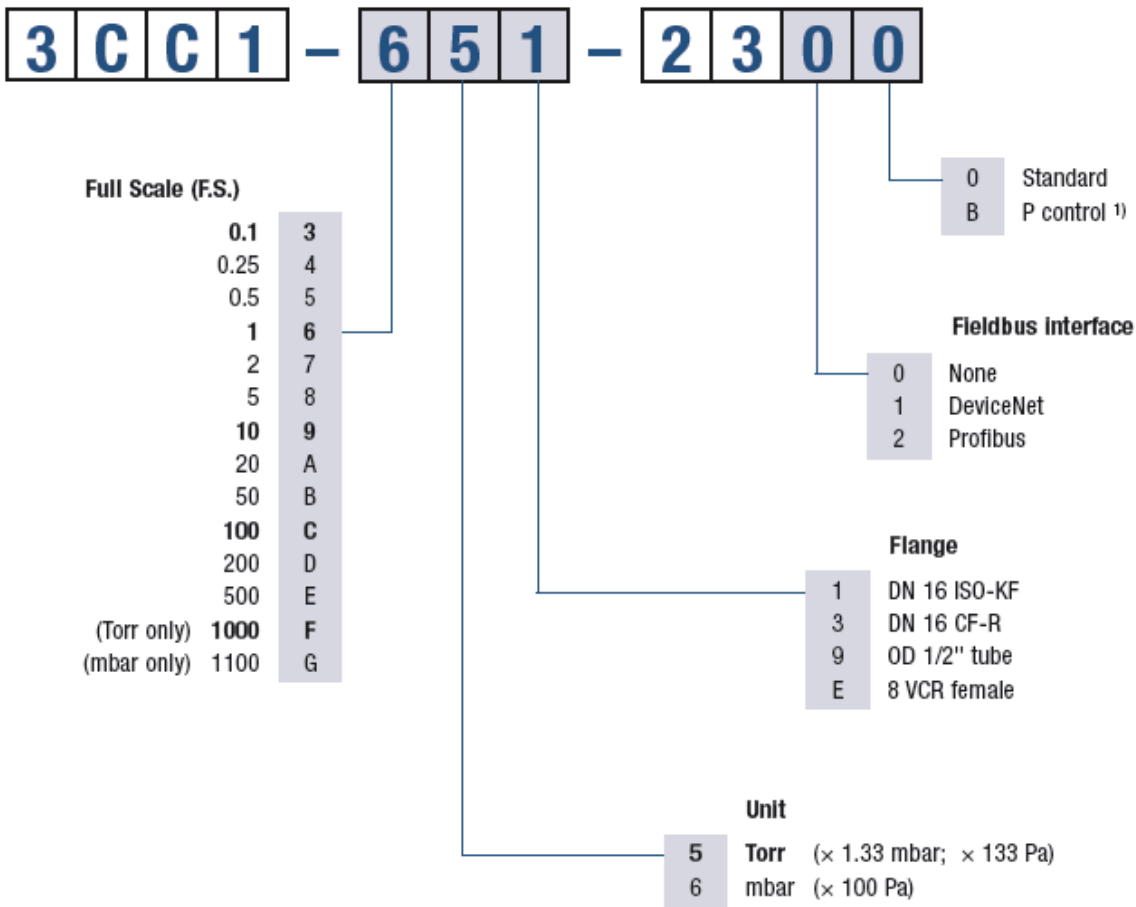
INFICON SKY CDG045D manometers are your best choice for high accuracy total pressure measurement and control. CDG045D gauges are temperature controlled at 45° C for superior signal stability and repeatability. They are available for full scale ranges from 100m Torr to 1000 Torr, with all common flange types and fieldbus interfaces and provide a linear 0 to 10 V, gas type independent pressure signal. INFICON capacitance manometers use an ultra pure alumina ceramic diaphragm which is corrosion proof. The advantages of the ceramic sensor are better signal stability, faster recovery from atmosphere, short warm up time and an extraordinary lifetime. INFICON CDGs are high quality, cost effective pressure sensors for demanding vacuum applications.



FEATURES

- Lower cost of ownership, 50% faster warm up, energy efficient low power consumption
- Easy integration, wide variety of full scales, flanges and interfaces, standard with two set points
- Easy one push button or remote signal zero command, zero offset adjustable
- Diagnostic port for quick service and maintenance
- Two year warranty, longer life time with advanced heating concept and gauge protection
- No long term recalibration due to excellent signal stability and repeatability, even in harsh plasma applications
- Compliance & standards: CE, EN, UL, SEMI, RoHS

ORDERING INFORMATION



¹⁾ Optimised signal filter setting for pressure control.

bold = standard products

Other flange types and full scale ranges (F.S.) on request.

SPECIFICATIONS

Type	1000 Torr	100 Torr	10 Torr	0.1 Torr
Measurement Range F.S. Torr (Full Scale)	1000	100	10	0.1
Measurement Range F.S. (Full Scale)		13332	1333	13
Accuracy	0.15	0.15	0.15	0.15
Temperature effect				
on span	0.01	0.01	0.01	0.01
on zero	0.0025	0.0025	0.0025	0.005
Pressure, max.	400	260	260	130
Resolution	0.003	0.003	0.003	0.003
Lowest reading	0.01	0.01	0.01	0.01
Lowest suggested reading	0.05	0.05	0.05	0.05
Lowest suggested control pressure	0.5	0.5	0.5	0.5
Temperature				
Bakeout at flange	≤110	≤110	≤110	≤110
Operation (ambient)	+10 ... +40	+10 ... +40	+10 ... +40	+10 ... +40
Storage	-40 ... +65	-40 ... +65	-40 ... +65	-40 ... +65
Supply voltage	+14 ... +30 or ±15 (±5%)	+14 ... +30 or ±15 (±5%)	+14 ... +30 or ±15 (±5%)	+14 ... +30 or ±15 (±5%)
Power consumption				
During Heat up	≤12	≤12	≤12	≤12
At operating temperature	≤8	≤8	≤8	≤8
Output signal (analog) V (dc)	0 ... +10	0 ... +10	0 ... +10	0 ... +10
Response time	30	30	30	130
Degree of protection	IP 40	IP 40	IP 40	IP 40
Standards				
CSA 22.2 No.61010-1	Yes	Yes	Yes	Yes
EN 61000-6-2/-6-3	Yes	Yes	Yes	Yes
EN 61010, UL 61010-1	Yes	Yes	Yes	Yes
SEMI S-2	Yes	Yes	Yes	Yes
UL 61010-1	Yes	Yes	Yes	Yes
Electrical connection	D-sub, 15 pole, male	D-sub, 15 pole, male	D-sub, 15 pole, male	D-sub, 15 pole, male
Setpoint				

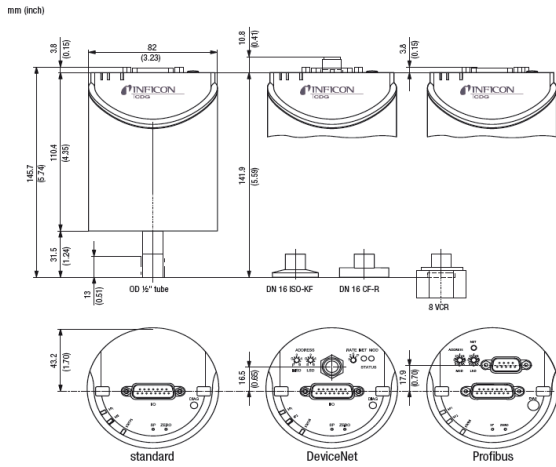
SPECIFICATIONS

Type	1000 Torr	100 Torr	10 Torr	0.1 Torr
Relay contact	≤30 / ≤0.5	≤30 / ≤0.5	≤30 / ≤0.5	≤30 / ≤0.5
Hysteresis	1	1	1	1
Diagnostic port				
Protocol	RS232-C	RS232-C	RS232-C	RS232-C
Read	pressure, status, ID,	pressure, status, ID,	pressure, status, ID,	pressure, status, ID,
Set	set points, filter, zero adjust, factory reset, DC offset	set points, filter, zero adjust, factory reset, DC offset	set points, filter, zero adjust, factory reset, DC offset	set points, filter, zero adjust, factory reset, DC offset
Materials exposed to vacuum	Aluminum oxide ceramic (Al ₂ O ₃), stainless steel (AISI 316L)	Aluminum oxide ceramic (Al ₂ O ₃), stainless steel (AISI 316L)	Aluminum oxide ceramic (Al ₂ O ₃), stainless steel (AISI 316L)	Aluminum oxide ceramic (Al ₂ O ₃), stainless steel (AISI 316L)

ACCESSORIES

	1000 Torr	b3963ec9-b9d7-4caa-baf1-086f1fade24c	100 Torr	10 Torr	0.1 Torr
Diagnostic cable 1.9m (P3)	303-333	-	303-333	303-333	303-333

DIMENSIONS



		1/2" tube	DN 16 ISO-KF	DN 16 CF-R	8 VCR [®]
Internal volume	cm ³ (inch ³)	4.2 (0.26)	4.2 (0.26)	4.2 (0.26)	4.2 (0.26)
Weight	g	837	852	875	897



www.inficon.com reachus@inficon.com

Due to our continuing program of product improvements, specifications are subject to change without notice. RateWatcher is a trademark of INFICON. All other trademarks are the property of their respective owners.

(2013-03) © 2012 INFICON