

Welding Flange - Steel

INFICON ISO-K quality fittings are manufactured according to ISO 1609, DIN 28404 and Pneurop 6606. Our quality large diameter fittings are the standard vacuum components for all vacuum and high vacuum lines. The high quality INFICON fittings are designed and tested for leak rates less than 1×10^{-9} mbar l/s.



BENEFITS

- Competitively priced
- World wide logistics
- Design and measures follow strictly international respected standards
- Surface finish, welds, material specifications and cleanliness meet or exceed high vacuum specifications
- 2011/65/EU RoHS compliant

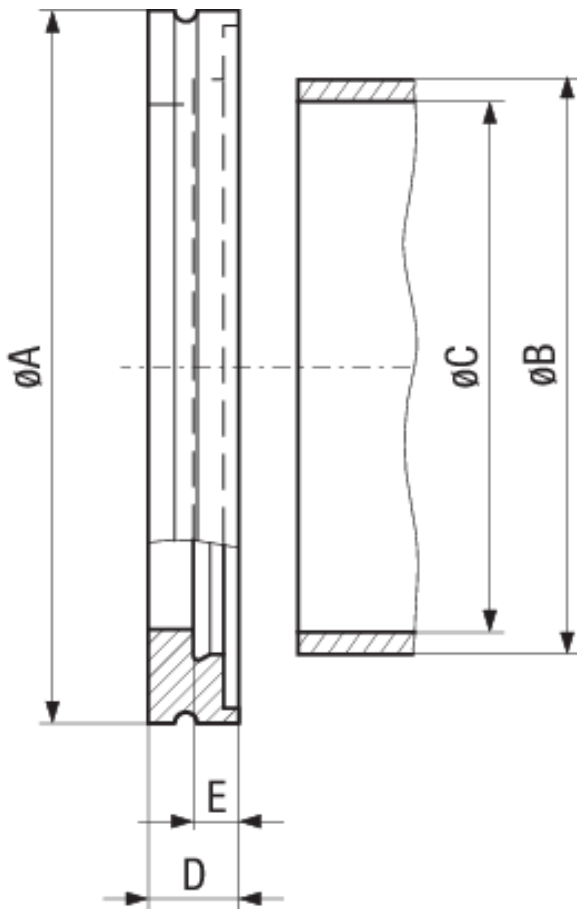
ORDER INFORMATION

Type	DN 63 ISO-K	DN 100 ISO-K
Welding flange, steel, DN 100 ISO-K		212-022
Welding flange, steel, DN 63 ISO-K	212-021	

SPECIFICATIONS

Type	DN 63 ISO-K	DN 100 ISO-K
Dimension A	95	130
Dimension B	76.1	108
Dimension C	70.3	102.2
Dimension D	12	12
Dimension E	6	6
Material:	Steel -/ 1.0831	Steel -/1.0831

DIMENSIONS



www.inficon.com reachus@inficon.com

Due to our continuing program of product improvements, specifications are subject to change without notice. RateWatcher is a trademark of INFICON. All other trademarks are the property of their respective owners.

(2018-08) © 2018 INFICON