

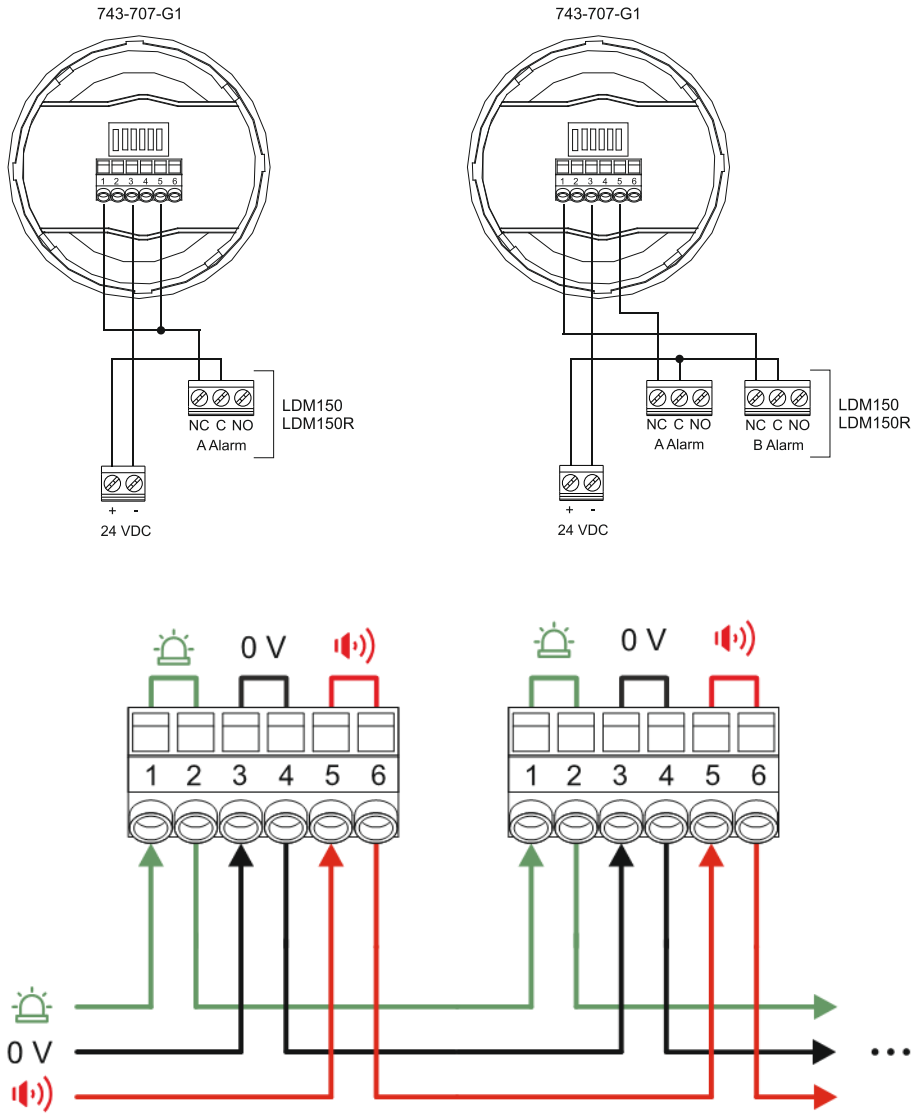


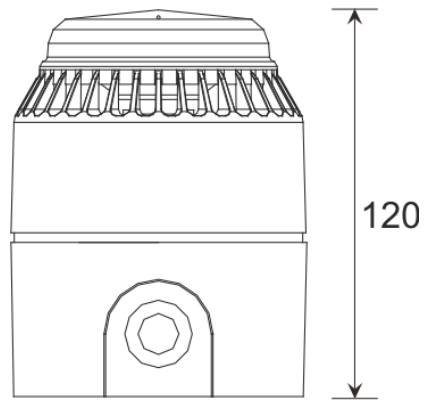
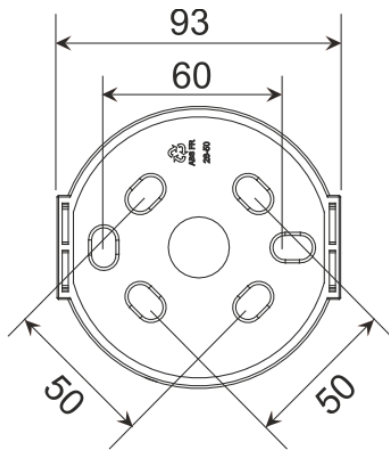
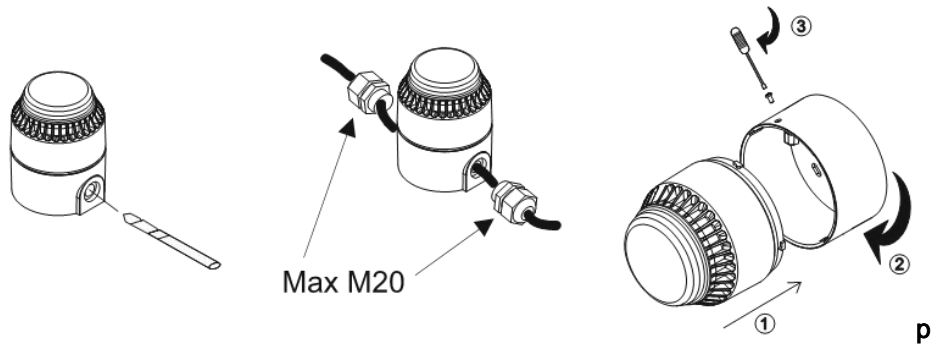
Operating Manual

Siren / Strobe

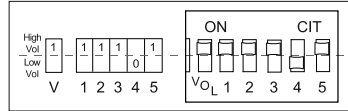
English · Español · Deutsch · Français · Svenska · Italiano · 中文

Siren / Strobe





[mm]



Setup		Sound				Main Application	24V @ 20 °C	
Index	DIP Switch	Pattern	Frequency Hz	Rate	mA		dB(A)	
1	11111	Alternating	800 & 970	2Hz (250ms-250ms)	BS Fire	86	92	
2	11110	Sweep	800 to 970	7Hz (7/s)	BS Fire	86	91	
3	11101	Sweep	800 to 970	1Hz (1/s)	BS Fire	86	93	
4	11100	Continuous	2850	Steady	General Purpose	93	95	
5	11011	Sweep	2400 to 2850	7Hz	General Purpose	94	95	
6	11010	Sweep	2400 to 2850	1Hz	General Purpose	92	101	
7	11001	Slow whoop	500 to 1200	3s sweep, 0.5 s silence, then repeat	Dutch fire (NEN 2575)	84	104	
8	11000	Sweep (DIN)	1200 to 500	1Hz	German fire (DIN 33 404)	87	95	
9	10111	Alternating	2400 & 2850	2Hz (250ms-250ms)	General Purpose	92	94	
10	10110	Intermittent	970	0.5Hz (1s On/1s Off)	PFEER alert	85	95	
11	10101	Alternating	800 & 970	1Hz (500ms-500ms)	BS Fire	85	92	
12	10100	Intermittent	2850	0.5Hz (1s On/1s Off)	General Purpose	88	92	
13	10011	Intermittent	970	0.8Hz (250ms On/1s Off)	General Purpose	83	95	
14	10010	Continuous	970	Steady	PFEER toxic gas	85	91	
15	10001	Alternating	554 & 440	100ms-400ms	French fire (NFS 32-001)	87	92	
16	10000	Intermittent	660	3.3Hz (150ms On/150msOff)	Swedish (Air Raid)	84	93	
17	01111	Intermittent	660	0.28Hz(1.8s On/1.8s Off)	Swedish (Local warning)	84	92	
18	01110	Intermittent	660	0.05Hz (13s Off / 6.5Hz On)	Swedish (Pre-mess)	85	93	
19	01101	Continuous	660	Steady	Swedish (All clear)	84	93	
20	01100	Alternating	554 & 440	0.5Hz (1s On/1s Off)	Swedish (Turn out)	86	93	
21	01011	Intermittent	660	1Hz (500ms-500ms)	Swedish general purpose	84	93	
22	01010	Intermittent	2850	4Hz (150ms On/100ms Off)	Pelican crossing	90	94	
23	01001	Sweep	800 to 970	50Hz	BS Fire	85	92	
24	01000	Sweep	2400 to 2850	50Hz	General Purpose	93	101	
25	00111	Intermittent	970	3 x 500ms pulses, 1.5s silence, then repeat	ISO 8201	83	92	
26	00110	Intermittent	800 to 970	3 x 500ms pulsed sweep, 1.5s silence, then repeat	ISO 8201	84	94	
27	00101	Intermittent	970 & 800	3 x 500ms pulsed sweep, 1.5s silence, then repeat	ISO 8201	83	91	
28	00100	Alternating	800 & 970	2Hz (250ms-250ms)	BS Fire	86	91	
29	00011	Alternating	990 & 650	2Hz (250ms-250ms) (Symphoni tones)	BS Fire	87	95	
30	00010	Alternating	510 & 610	2Hz (250ms-250ms) (Squashni Micro tones)	BS Fire	86	91	
31	00001	Sweep	300 to 1200	1Hz	General Purpose	87	95	
32	00000	Alternating	510 & 610	1Hz (500mS-500mS)	BS Fire	86	92	

English: Siren / Strobe - Technical Data

Housing:	ABS V0 IP65
Power consumption:	94 mA max
Power supply:	24 VDC (18..28 VDC)
Cables:	0,28 mm ² ..2,5 mm ²
Ambient temperature:	-10 °C..55 °C
Humidity:	0-95% RH (non-condensing)

This product is intended for use in the industrial area.

Technical specifications are subject to change

Español: Siren / Strobe - Información técnica

Caja:	ABS V0 IP65
Consumo de energía:	94 mA max
Alimentación:	24 VDC (18..28 VDC)
Cable:	0,28 mm ² ..2,5 mm ²
Temperatura:	-10 °C..55 °C
Humedad:	0-95% Hr (sin condensación)

Este producto se ha diseñado para su uso en aplicaciones industriales.

Especificaciones técnicas sujetas a cambios.

Deutsch: Siren / Strobe - Technische Daten

Gehäuse:	ABS V0 IP65
Leistungsaufnahme:	94 mA max
Stromversorgung:	24 VDC (18..28 VDC)
Kabel:	0,28 mm ² ..2,5 mm ²
Temperatur:	-10 °C..55 °C
Luftfeuchtigkeit:	0-95% rel. LF (nichtkondensierend)

Dieses Produkt ist für den industriellen Einsatz bestimmt.

Technische Einzelheiten und Daten / Angaben unterliegen ständiger Aktualisierung!

Français : Siren / Strobe - Spécifications techniques

Boîtier:	ABS V0 IP65
Consommation électrique:	94 mA max
Alimentation électrique:	24 V c.c. (18..28 V c.c)
Câble:	0,28 mm ² ..2,5 mm ²
Température:	-10 °C..55 °C
Humidité:	0-95% Hr (sans condensation)

Ce produit est destiné à une utilisation dans le domaine industriel.

Les spécifications techniques sont sujettes à changement

Svenska: Siren / Strobe - Specifikationer

Kapsling:	ABS V0 IP65
Strömförbrukning:	94 mA max
Strömförsörjning:	24 VDC (18..28 VDC)
Kablar:	0,28 mm ² ..2,5 mm ²
Omgivningstemperatur:	-10 °C..55 °C
Luffuktighet:	0-95% RH (Ej kondenserande)

Den här produkten är avsedd att användas inom industrin.

Tillverkaren förbehåller sig rätten till tekniska ändringar

Italiano: Sirena / Strobo - Dati tecnici

Alloggiamento:	ABS V0 IP65
Potenza assorbita:	94 mA max
Alimentazione:	24 V CC (18...28 V CC)
Cavi:	0,28 mm ² ...2,5 mm ²
Temperatura ambiente:	-10°C...55°C
Umidità:	0-95% di umidità relativa (senza condensa)

Questo prodotto è destinato all'uso nell'area industriale.

Specifiche tecniche soggette a modifica

英语：报警器 / 频闪管 - 技术参数

壳体：	ABS V0 IP65
耗电量：	最大94 mA
电源：	24 VDC (18..28 VDC)
电缆：	0.28 mm ² ..2.5 mm ²
环境温度：	-10 °C-55 °C
湿度：	0-95% RH (无冷凝)

本产品适用于工业领域。

技术规格有可能更改



Two Technology Place
East Syracuse, NY 13057-9714 USA

Phone: +1.800.344.3304
Fax: +315.434.2520
E-Mail: service.tools@inficon.com
www.inficonservicetools.com

Bonner Strasse 498
D-50968 Cologne, Germany

Phone: +49 221 56788-660
Fax: +49 221 56788-9660
E-Mail: servicetools.europe@inficon.com
www.inficonservicetools-europe.com

Due to our continuing program of product improvements, specifications are subject to change without notice.
All trademarks are the property of their respective owners.
©2019 INFICON