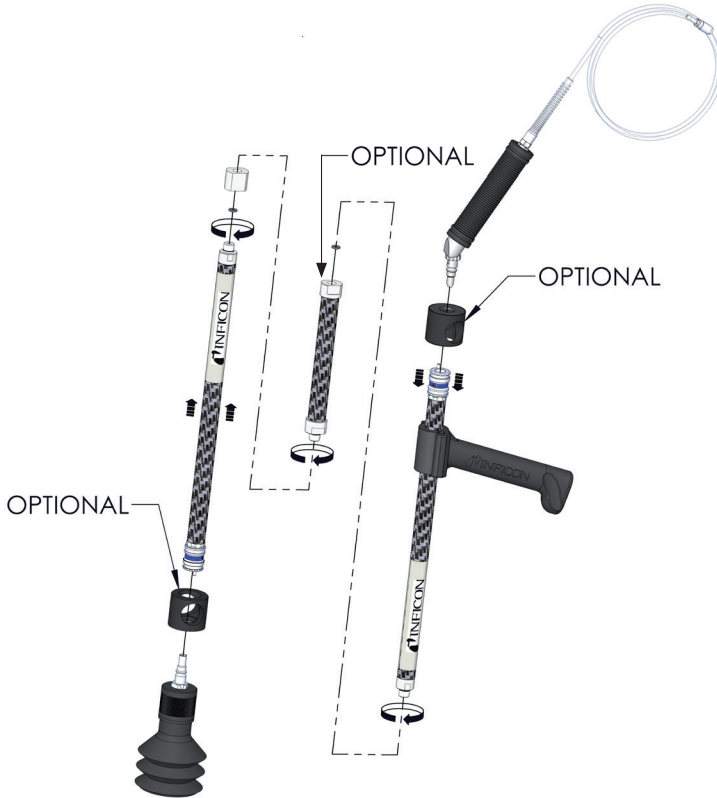


# COMPACT ROD – ASSEMBLY

Compact Rod (part no. 580-170) to IRwin Methane Leak Detector



mid66en-03 (2006) - Due to our continuing program of product improvements, specifications are subject to change without notice

## INFICON AB

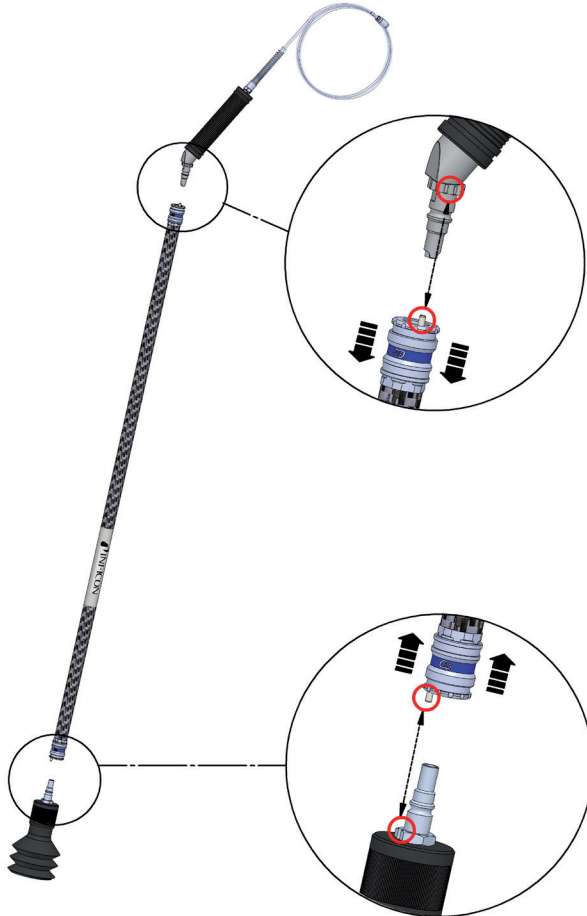
Wahlbecksgatan 25A, 582 13 Linköping, Sweden

Visit our website for contact information and sales offices worldwide

[www.inficon.com](http://www.inficon.com)

# BELL PROBE – ASSEMBLY

Bell Probe (part no. 580-300) to IRwin Methane Leak Detector



mid66en-04 (2006) - Due to our continuing program of product improvements, specifications are subject to change without notice

## INFICON AB

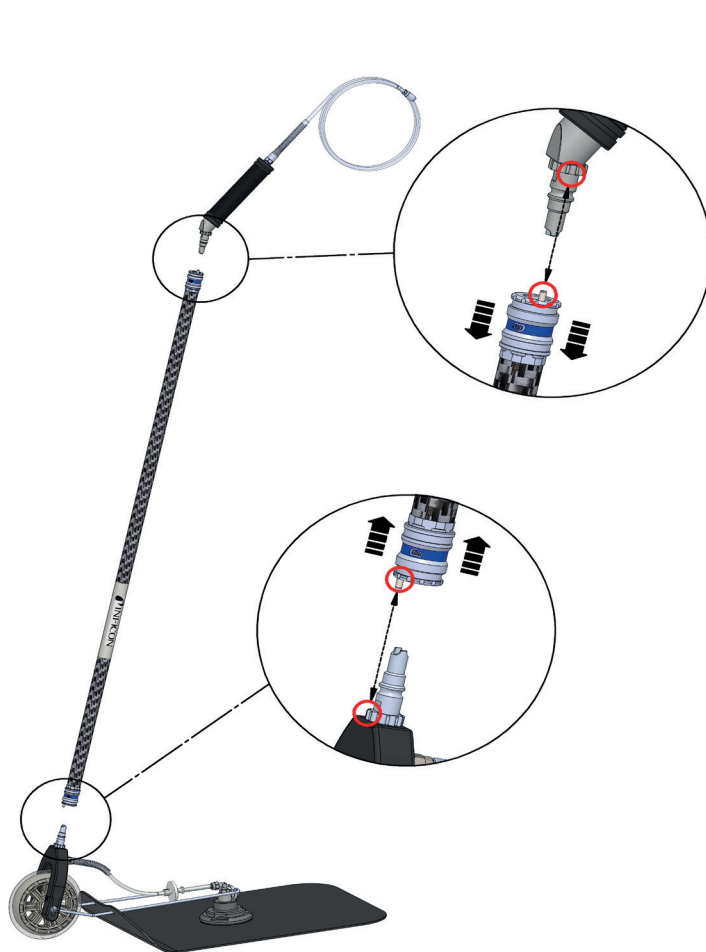
Wahlbecksgatan 25A, 582 13 Linköping, Sweden

Visit our website for contact information and sales offices worldwide

[www.inficon.com](http://www.inficon.com)

# MONO-WHEELER – ASSEMBLY

Carpet Probe (part no. 580-210) to IRwin Methane Leak Detector



mip08em-04 (2010) - Due to our continuing program of product improvements, specifications are subject to change without notice

## INFICON AB

Wahlbecksgatan 25A, 582 13 Linköping, Sweden

Visit our website for contact information and sales offices worldwide

[www.inficon.com](http://www.inficon.com)

# MONO-WHEELER – ASSEMBLY

Carpet Probe (part no. 580-210) to IRwin Methane Leak Detector



mip08em-04 (2010) - Due to our continuing program of product improvements, specifications are subject to change without notice

## INFICON AB

Wahlbecksgatan 25A, 582 13 Linköping, Sweden

Visit our website for contact information and sales offices worldwide

[www.inficon.com](http://www.inficon.com)