



Translation of the original operating instructions

# Sniffer line

SL3000XL

Catalog No.

521-011, 521-012, 521-013, 521-014, 521-015, 521-034

From software version

--



INFICON GmbH

Bonner Straße 498

50968 Cologne, Germany

# Table of contents

<b>1 About this manual SL3000XL</b> .....	<b>4</b>
1.1 Target groups.....	4
1.2 Warnings.....	4
<b>2 Safety</b> .....	<b>5</b>
2.1 Intended use.....	5
2.2 Duties of the operator.....	5
2.3 Owner requirements.....	5
<b>3 Scope of delivery</b> .....	<b>7</b>
<b>4 Description</b> .....	<b>8</b>
4.1 Function.....	8
4.2 Structure of the sniffer line.....	9
4.3 Technical data.....	11
<b>5 Installation</b> .....	<b>12</b>
<b>6 Maintenance</b> .....	<b>13</b>
6.1 Maintenance SL3000XL.....	13
6.2 Maintenance plan.....	14
<b>7 Accessories and spare parts</b> .....	<b>15</b>
<b>8 Decommissioning</b> .....	<b>16</b>
8.1 Disposing of the device.....	16
8.2 Send in Sniffer line SL3000XL for maintenance, repair or disposal.....	16
<b>9 CE Declaration of Conformity</b> .....	<b>18</b>

# 1 About this manual SL3000XL

These operating instructions describe the setup and maintenance of the SL3000XL sniffer line.

Product names may occur in the document, which are added for identification purposes only and belong to the respective owner of the rights.

## 1.1 Target groups

This instruction manual is intended for operators and technically qualified personnel with experience in leak detection technology and the integration of leak detectors in leak detection systems.

## 1.2 Warnings



### **DANGER**

**Imminent hazard resulting in death or serious injuries**



### **WARNING**

**Hazardous situation resulting in potential death or serious injuries**



### **CAUTION**

**Hazardous situation resulting in minor injuries**



### **NOTICE**

**Hazardous situation resulting in damage to property or the environment**

## 2 Safety

### 2.1 Intended use

A sniffer line type SL3000XL can be used with the following leak detection systems:

- Protec P3000XL
- XL3000flex

#### **Incorrect usage**

- Use in radioactive areas
- Use of accessories or spare parts, which are not included in this instruction manual
- Use outside the technical specifications, see "Technical Specifications"
- Testing of wet or damp test objects
- Pumping off solids
- Suctioning of liquids into the device
- Operation without an exhaust line on the Gas Detection Unit
- Using the device in potentially explosive atmospheres

### 2.2 Duties of the operator

- Read, observe, and follow the information in this manual and in the work instructions provided by the owner. This concerns in particular the safety and warning instructions.
- Always observe the complete operating instructions for all work.
- If you have any questions about operation or maintenance that are not answered in this operating instructions, contact customer service.

### 2.3 Owner requirements

The following notes are for companies or any person who is responsible for the safety and effective use of the product by the user, employees or third parties.

#### **Safety-conscious operation**

- Operate the device only if it is in perfect technical condition and has no damage.
- Only operate the device properly in accordance with this instruction manual, in a safety and risk conscious manner.
- Adhere to the following regulations and observe their compliance:

- Intended use
- Universally valid safety and accident prevention regulations
- International, national and local standards and guidelines
- Additional device-related provisions and regulations
- Only use original parts or parts approved by the manufacturer.
- Keep this instruction manual available on site.

### **Personnel qualifications**

- Only instructed personnel should be permitted to work with and on the device. The instructed personnel must have received training on the device.
- Make sure that authorized personnel have read and understood the instruction manual and all other applicable documents.

### 3 Scope of delivery

Item	Quantity
Sniffer line SL3000XL in ordered version and quantity. See also "Accessories and spare parts [▶ 15]".	
Operating manual	1

## 4 Description

### 4.1 Function

To locate leaks, move the tip of the sniffer line over places from which gas may be escaping. Depending on the design of the sniffer line, you can detect different gases.

The SL3000XL sniffer line is used to locate gas leaks on test specimens in conjunction with the leak detectors:

- Protec P3000XL
- XL3000flex

The sniffer lines are available in different lengths and with different sniffer tips, see “Accessories and spare parts [▶ 15]”.

The sniffer line consists of a multifunction cable, a sniffer handle and a sniffer tip.

There are special sniffer lines for robot applications, see “Accessories and spare parts [▶ 15]”.



## 4.2 Structure of the sniffer line

### Structure



#### ⚠ WARNING

##### Risk of eye damage

LEDs on the sniffer handle produce focused light that can damage the eyes.

- ▶ Do not look into the LEDs from a short distance or for longer periods of time.



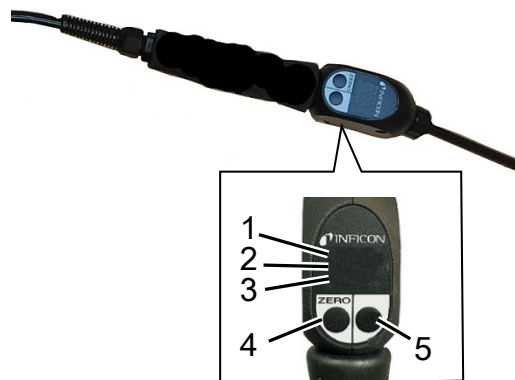
#### NOTICE

##### Danger of blockage due to liquids

Liquid may destroy the device.

- ▶ Do not draw in any liquids (e.g. water or adhesives).

The sniffer handle display shows some of the information from the main display.

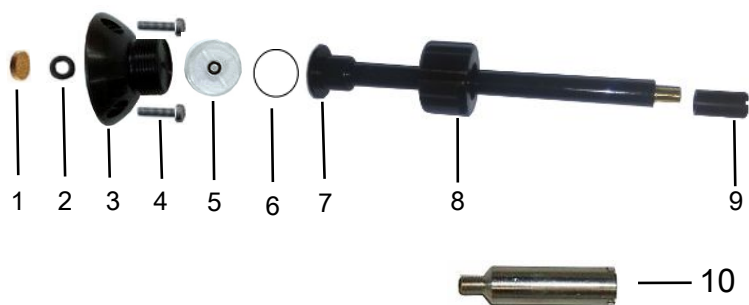


1	Leak rate as bar graph	4	"ZERO" push button
2	Leak rate, numerical	5	Push button (individual assignment)
3	Measured gas		

The leak rate is shown as a bar graph and displayed numerically as in the main display of the leak detector

There are two push buttons on the sniffer handle. Pressing the left button sets the background display to ZERO. For more information on the functions of these buttons, refer to the operating instructions of the leak detectors used.

The sniffer handle is equipped with LEDs for work in dimly lit places.

**Sniffer tip SL3000XL**

1	Sinter filter (bronze Poral filter)	6	O ring
2	O ring	7	Adapter with sniffer tip
3	Connection adapter	8	Union nut
4	Mounting screws	9	Tip protection
5	Filter	10	Water conservation tip

## 4.3 Technical data

<b>Mechanical data</b>	<b>SL3000XL</b>
<b>Gas flow</b>	
for Protec P3000XL	300 sccm/3000 sccm
for XL3000flex	300 sccm/3000 sccm
ZERO via button	Yes
Good-Bad-display	Yes
Connection on the device	Via separate socket on the device
Display with measurement view	Yes
Acknowledge faults via buttons on the sniffer probe	Yes
End standby via a button on the sniffer probe	Yes
Acknowledge calibration via a button on the sniffer probe	Yes
<b>Electrical data</b>	
Operating voltage	5V
Mains frequency	DC voltage
Power consumption	20 VA
<b>Ambient conditions</b>	
Max. height above sea level	2000 m
Maximum relative humidity	80% to 31 °C and 50% above 31 °C
Max. storage temperature	-20 °C to +60 °C
Permissible ambient temperature (during operation)	5 °C to 40 °C

## 5 Installation

For connection to the respective leak detector, the sniffer line is connected to the connection socket provided on the front or rear of the device for this purpose.

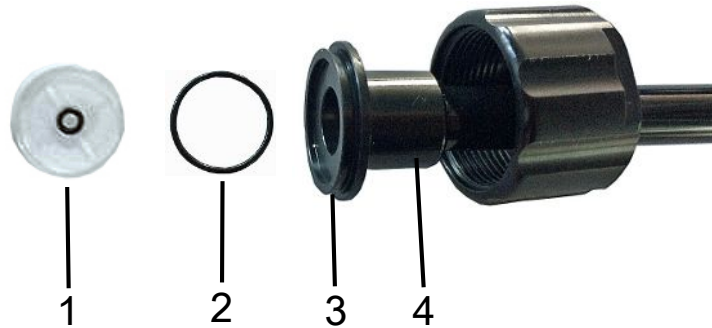
Via this connector both the electrical connection and the connection of the vacuum system is made.

- ✓ The leak detector has an interface for an SL3000XL sniffer line.
- ✓ The SL3000XL sniffer line is available.
- ▶ Connect the sniffer line to the leak detector.
- ⇒ The sniffer line is ready for operation.

# 6 Maintenance

## 6.1 Maintenance SL3000XL

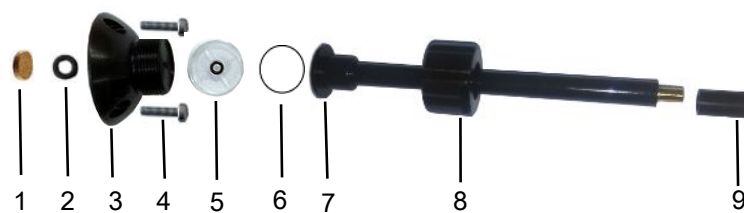
### Overview



1	Filter	3	O-ring mount
2	O ring	4	Adapter with sniffer tip

### Assembly

- ✓ The sniffer tip is isolated from the sniffer handle.
- ✓ The O-ring is installed on the adapter in the intended mount.
- ▶ Carefully insert the filter cartridge onto the adapter with a twisting motion.
  - ⇒ The filter cartridge must fit evenly.



1	Sinter filter (bronze Poral filter)	6	O ring
2	O ring	7	Adapter with sniffer tip
3	Connection adapter	8	Union nut
4	Mounting screws	9	Tip protection
5	Filter cartridge		

## 6.2 Maintenance plan

Assembly	Maintenance Work SL3000XL	Operating hours/years (intervals are repeated)				Service level	Spare part number
		500	2000	10000	As required		
		1/4	1/2	1			
Check the sintered filter (bronze poral filter) of the sniffer tip and replace, if necessary	Sinter filter (bronze poral filter) for sniffer tip				1	I	20003 500
Replace the filter inserts of the capillary filters and the water protection tip.	Felt for capillary filter				1	I	200001116

Explanation of the maintenance plan:

- I Service level I Customer
- 1 Depending on environment and use

## 7 Accessories and spare parts

<b>Sniffer line SL3000XL</b>	
SL3000XL-3, sniffer line 3m length	521-011
SL3000XL-5, sniffer line 5m length	521-012
SL3000XL-10, sniffer line 10m length	521-013
SL3000XL-15, sniffer line 15m length	521-014
<b>Sniffer tips for SL3000XL</b>	
Sniffer tip ST312XL	521-018
Sniffer tip FT312XL	521-019
Sniffer tip ST385XL	521-020
Sniffer tip FT385XL	521-021
Sniffer tip FT250XL	521-022
Sniffer tip FTS312XL	521-026
Sniffer tip FTS385XL	521-027
Sniffer tip FTS250XL	521-028
<b>Holder for sniffer line SL3000XL</b>	
Holder for sniffer line SL3000XL	551-203
<b>Sniffer line for system integration (robot application)</b>	
5 m	521-015
15 m	521-035
<b>Reinforced gooseneck</b>	
for FTS312XL	200008918
for FTS385XL	200008919
for FTS250XL	200008920
<b>Special filter cartridge for SL3000XL</b>	
Special filter cartridge for SL3000XL	521-023
<b>I•Tips for setting up on a SL3000XL sniffer tip, Adapter required</b>	
I•Tip SENS package, 20 base bodies with brushes	531-040
I•Tip SENS package, 5 base bodies with brushes	531-041
I•Tip RUGGED package, 24 base bodies with 120 replacement rubber lips	531-042
Adapter for I•Tip 3000XL sniffer line	531-043

## 8 Decommissioning

### 8.1 Disposing of the device

The device can either be disposed of by the operator or be sent to the manufacturer. The device consists of materials that can be recycled. This option should be exercised to prevent waste and also to protect the environment.

During disposal, observe the environmental and safety regulations of your country.



Device cannot be scrapped with the normal domestic waste.

### 8.2 Send in Sniffer line SL3000XL for maintenance, repair or disposal



#### **WARNING**

##### **Danger due to harmful substances**

Contaminated devices could endanger health. The contamination declaration serves to protect all persons who come into contact with the device. Devices sent in without a return number and completed contamination declaration will be returned to the sender by the manufacturer.

► Fill in the declaration of contamination completely.

- 1** Contact the manufacturer and send in a completed declaration of contamination before return shipment.
  - ⇒ You will then receive a return number and the shipping address.
- 2** Use the original packaging when returning.
- 3** Before shipping the instrument, attach a copy of the completed contamination declaration to the outside of the package.

For contamination declaration see below.



# Declaration of Contamination

The service, repair, and/or disposal of vacuum equipment and components will only be carried out if a correctly completed declaration has been submitted. Non-completion will result in delay.  
 This declaration may only be completed (in block letters) and signed by authorized and qualified staff.

**1 Description of product**

Type \_\_\_\_\_

Article Number \_\_\_\_\_

Serial Number \_\_\_\_\_

**2 Reason for return**

\_\_\_\_\_

\_\_\_\_\_

**3 Operating fluid(s) used (Must be drained before shipping.)**

\_\_\_\_\_

**4 Process related contamination of product:**

toxic	no <input type="checkbox"/> 1)	yes <input type="checkbox"/>	
caustic	no <input type="checkbox"/> 1)	yes <input type="checkbox"/>	
biological hazard	no <input type="checkbox"/>	yes <input type="checkbox"/> 2)	
explosive	no <input type="checkbox"/>	yes <input type="checkbox"/> 2)	
radioactive	no <input type="checkbox"/>	yes <input type="checkbox"/> 2)	
other harmful substances	no <input type="checkbox"/> 1)	yes <input type="checkbox"/>	

2) Products thus contaminated will not be accepted without written evidence of decontamination!

The product is free of any substances which are damaging to health

yes

1) or not containing any amount of hazardous residues that exceed the permissible exposure limits

**5 Harmful substances, gases and/or by-products**

Please list all substances, gases, and by-products which the product may have come into contact with:

Trade/product name	Chemical name (or symbol)	Precautions associated with substance	Action if human contact

**6 Legally binding declaration:**

I/we hereby declare that the information on this form is complete and accurate and that I/we will assume any further costs that may arise. The contaminated product will be dispatched in accordance with the applicable regulations.

Organization/company \_\_\_\_\_

Address \_\_\_\_\_ Post code, place \_\_\_\_\_

Phone \_\_\_\_\_ Fax \_\_\_\_\_

Email \_\_\_\_\_

Name \_\_\_\_\_

Date and legally binding signature \_\_\_\_\_ Company stamp \_\_\_\_\_

Copies:  
 Original for addressee - 1 copy for accompanying documents - 1 copy for file of sender

# 9 CE Declaration of Conformity



## EU Declaration of Conformity

We – INFICON GmbH - herewith declare that the products defined below meet the basic requirements regarding safety and health and relevant provisions of the relevant EU Directives by design, type and the versions which are brought into circulation by us. This declaration of conformity is issued under the sole responsibility of INFICON GmbH.

The products meet the requirements of the following Directives:

- **Directive 2014/30/EU (Electromagnetic Compatibility)**
- **Directive 2011/65/EU (RoHS)**

In case of any products changes made without our approval, this declaration will be void.

Designation of the product:

**Sniffer line**

Models:

**SL3000**

**SL3000XL**

Applied harmonized standards:

- **EN 61326-1:2013**  
**Class A according to EN 55011:2016+A1 :2017**
- **EN IEC 63000:2018**
- **EN ISO 12100:2010**

Catalogue numbers:

<b>521-011</b>	<b>525-001</b>
<b>521-012</b>	<b>525-002</b>
<b>521-013</b>	<b>525-003</b>
<b>521-014</b>	<b>525-004</b>
<b>521-015</b>	<b>525-005</b>
<b>521-034</b>	<b>521-035</b>

Authorised person to compile the relevant technical files:

Heinz Rauch, INFICON GmbH, Bonner Strasse 498, D-50968 Cologne

Cologne, November 11th, 2021

Cologne, November 11th, 2021

H. Bruhns, Vice President LDT

pro

W. Schneider, Research and Development

**INFICON GmbH**  
 Bonner Strasse 498  
 D-50968 Cologne  
 Tel.: +49 (0)221 56788-0  
 Fax: +49 (0)221 56788-90  
 www.inficon.com  
 E-mail: leakdetection@inficon.com





Due to our continuing program of product improvements, specifications are subject to change without notice.  
The trademarks mentioned in this document are held by the companies that produce them.