

RL2000

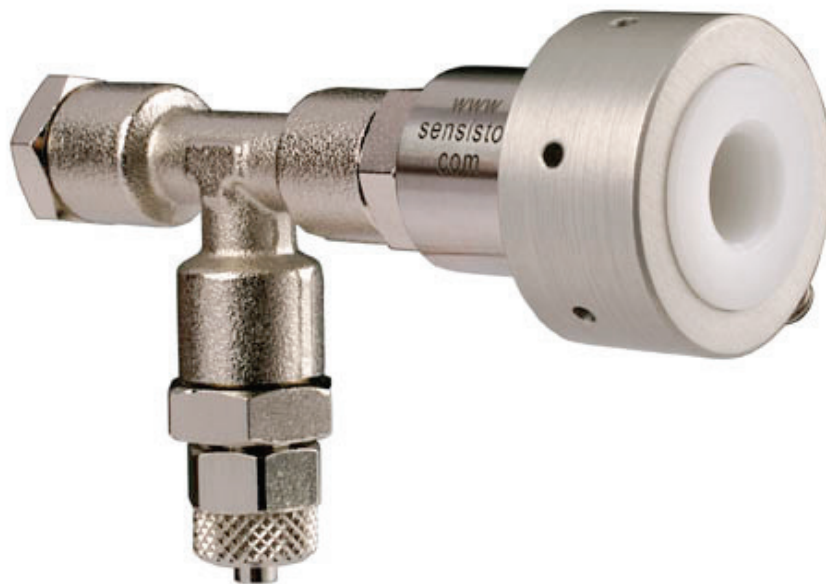
REFERENCE LEAK



User's manual
Benutzerhandbuch

RL2000

REFERENCE LEAK



User's manual

Contents

1. Safety	3
2. Contents of delivery	4
3. Quick guide for calibration of hand probes	5
3.1. Installing the leak	5
3.2. Setting pressure	7
3.3. Purging leak	7
3.4. Setting calibration parameters in the Sensistor ISH2000 Detector	7
3.5. Calibrating.....	7
4. Setting up your leak	8
4.1. The certificate	8
5. Caring for your leak	9
6. Recalibration of your reference leak.....	9
7. Trouble-shooting.....	10
8. Conversion Table for Pressure Units	11
9. Conversion Table for Flow Units	12
10. Specifications.....	13

1. Safety

Hydrogen is not flammable when diluted sufficiently with nitrogen. It is at this stage that the international standard ISO 10156 classifies the recommended tracer gas mix (5% Hydrogen / 95% Nitrogen) as non-flammable.

Three safety aspects, however, must be considered when working with the recommended tracer gas mix.

- Compressed gas contains large amounts of energy. Failure of connectors, hoses etc can result in serious personal injury. This warning is valid for all compressed gases, including air.
- The tracer gas mix contains no oxygen. Releasing large amounts of gas in a confined space can lead to asphyxiation and death. This warning is valid for all oxygen deficient gases including Nitrogen and Helium.
- Pure hydrogen mistakenly purchased is flammable! Check that your cylinder has a green label!



Hazard

The recommended tracer gas mixture contains no oxygen. Releasing large amounts of gas in confined spaces may displace the air and create a risk for asphyxiation.



Hazard

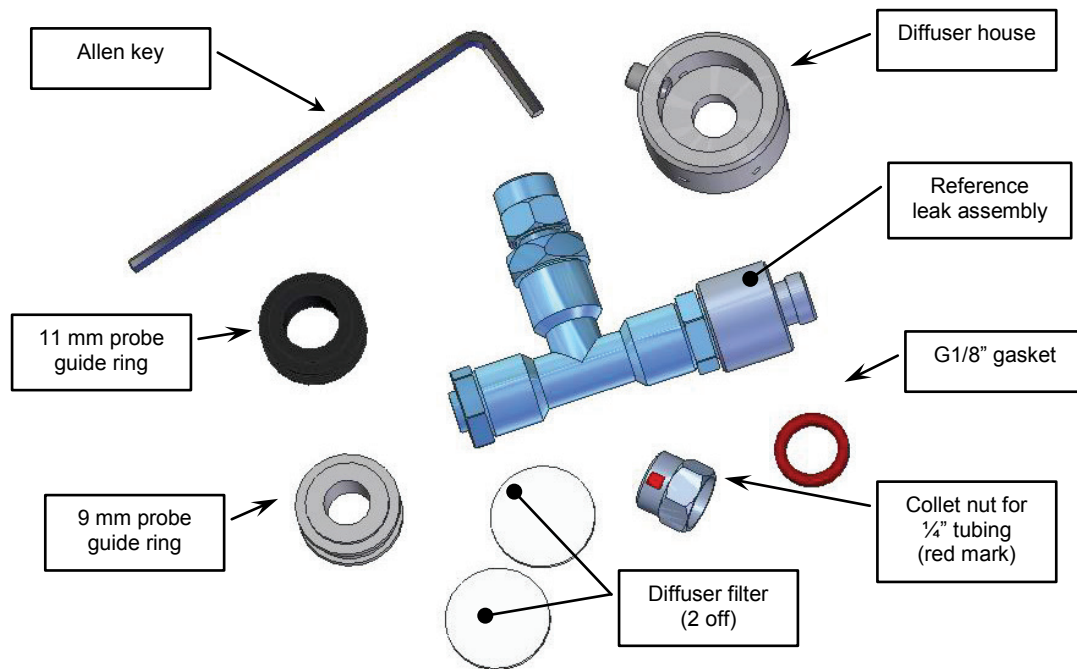
Compressed gases contain energy!
Be very careful never to use higher pressures than specified for your coupling, hoses, regulators etc.

Maximum pressure for the leak itself is 3 MPa (30 bar).

2. Contents of delivery

Your delivery contains the following items (see figure below):

- Reference leak assembly comprising leak and purge valve assembly.
- Diffuser house (for hand probe calibration).
- Diffuser filter (2 off).
- White probe guide ring for calibration of probes with 8 mm tip.
- Black probe guide ring for calibration of probes with 10 mm tip.
- Red G1/8 gasket.
- Collet nut for connection to 1/4" tubing (marked red).
- 2.5 mm Allen key (hex drive) for purge valve and assembly of diffuser.
- Calibration certificate.
- Pressure correction curve.
- Delivery and storage box.
- This manual.



To use your leak you will also need the following:

- **Tracer gas.** This should be the identical to the gas as used for your leak test (typically 5% H₂ in 95% N₂).
- **Pressure regulator** to set correct tracer gas pressure for feeding the leak.
- **Pressure gauge** (manometer) to monitor the setting of the pressure regulator. Remember that the calibration certificate is only valid if the correct pressure is fed to the leak! Use a gauge (or manometer) that reads correctly ($\pm 2\%$ of reading or better).

3. Quick guide for calibration of hand probes

Below is a condensed step-by-step description in how to set up and use your reference leak to calibrate the range of hand held detector probes from INFICON.

If you have acquired the leak for other purposes, simply skip the non-applicable steps.

Detailed instructions for incorporating your leak in automated test systems etc are available from your supplier.

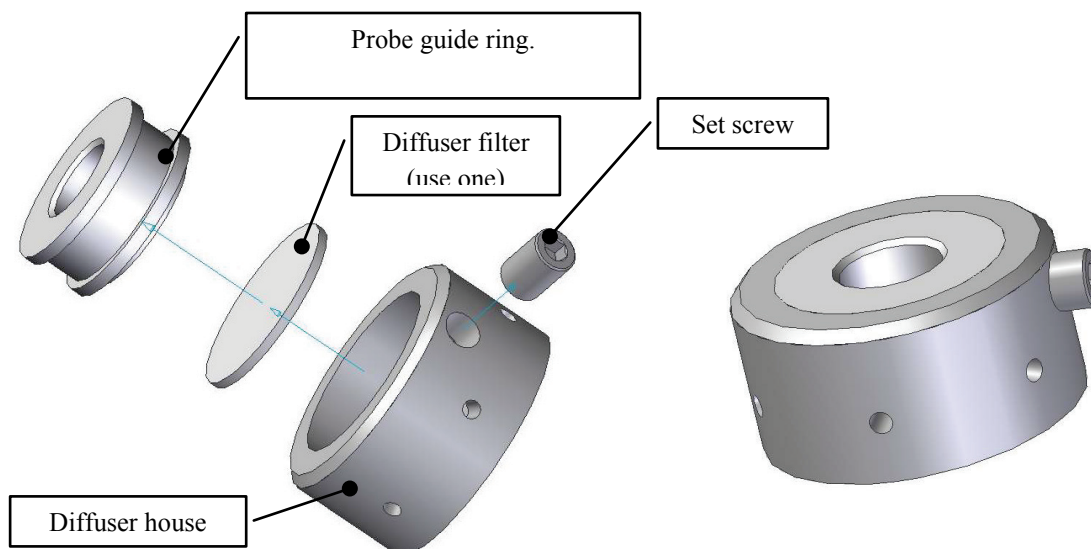
3.1. Installing the leak

Before assembling the leak, we recommend that you make a copy of the certificate and the pressure correction curve. Keep the originals in a safe place.

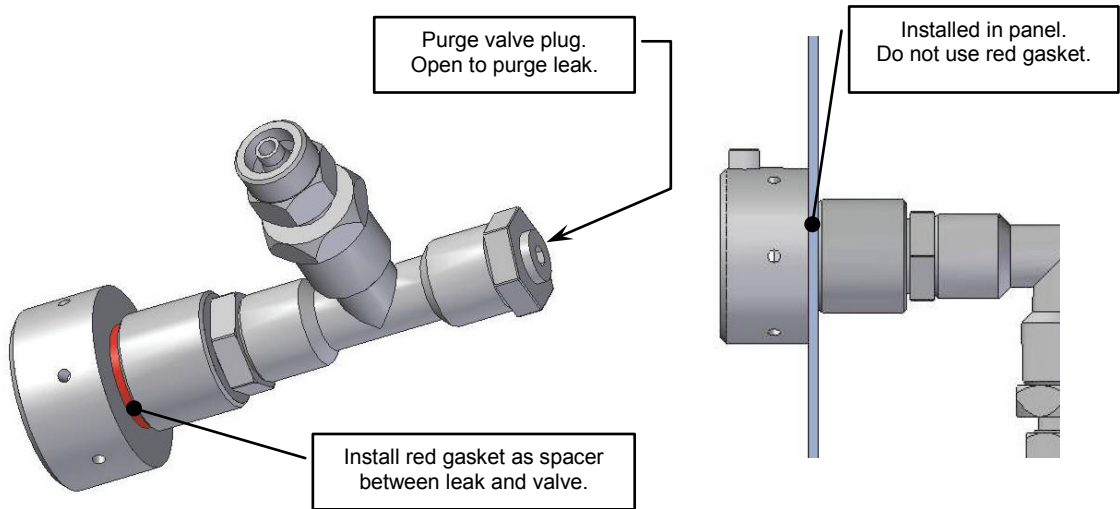
- Choose the correct probe guide ring from the table below.

Probe configuration	Ring	Colour
Hand Probe H50 without tip protection cap.	9 mm	White
Hand Probe H50 with tip protection cap.	11 mm	Black
Sniffer Probe H55 (AP55 System)	11 mm	Black
Counter Flow Probe H57 (AP57 System)	11 mm	Black
Insertion Probe H65	9 mm	White
Other probes with 6 - 8.5 mm tip	9 mm	White
Other probes with 8.6 - 10.5 mm tip	11 mm	Black

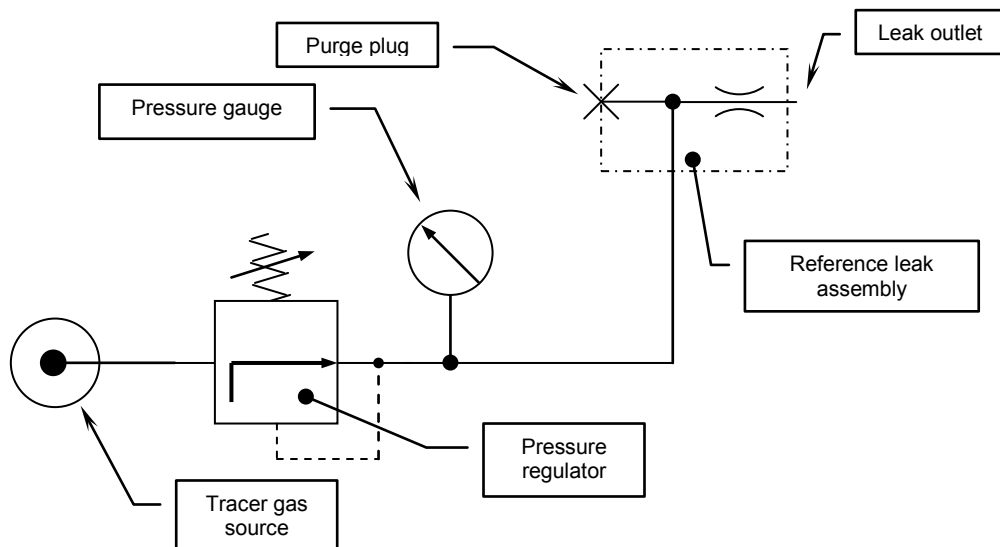
- Assemble diffuser according to the figure below:



Install the leak in a panel if desired, or assemble diffuser and leak with red gasket as spacer. See figure below:



- Connect the leak to the tracer gas supply as shown in the figure below. Remember that the accuracy of your pressure regulator and gauge will directly influence the accuracy of your calibration.
- Use plastic pneumatic hose for tracer gas supply. The unmarked collet nut is for 6 x 4 mm hose. The nut with red mark is for 1/4" x 5/32" hose. Remove collet nut from coupling. Slide nut over end of hose with threads facing end of hose. Push hose fully on to connector, slide nut down and tighten by hand. Tighten the nut another 1/2 turn using a 12 mm key or adjustable spanner.



3.2. Setting pressure

- Set the regulator to the pressure indicated on the calibration certificate. See further under “*Setting up your leak*” below.

3.3. Purging leak

- Open the purge valve (see figure above) for a few seconds to bleed out all remaining air in the hoses.
- Close the purge valve firmly.
- Check the pressure gauge again and readjust pressure if necessary.

Leak is ready to use just a few seconds after it has been purged.

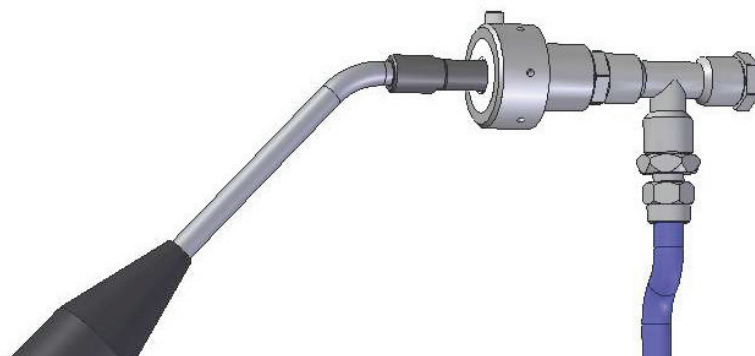
3.4. Setting calibration parameters in the Sensistor ISH2000 Detector

- Set *Calibration Time* to 10 s (standard value). For probes other than passive hand probes, refer to the respective probe manual.
- Set *Calibration Coefficient* to calibrated leak rate value stated on the calibration certificate.
- Set the *Leak rate unit* to that specified on the calibration certificate.
(You may also use other flow units. Use the flow conversion table below. Remember though, to recalculate the leak rate value. The *Calibration Coefficient* must be changed to the new value.

See further in the “*Sensistor ISH2000 PLUS Use’sr Manual*”.

3.5. Calibrating

- Start the calibration from the Sensistor ISH2000 menu (or by operating switch on front of APC unit).
- When the bar on the display starts growing, quickly insert probe into diffuser , maintaining a straight connection. See figure below:



- Remove probe when detector has analysed the gas.
- If detector asks you to re-calibrate, wait > 30s and then calibrate again.
- If detector indicates “Calibration OK”, press Save.

4. Setting up your leak

4.1. The certificate

ION SCIENCE LIMITED The Way, Fowlmere, Cambridge SG8 7UJ
Telephone: +44 (0) 1763 208503 Facsimile: +44 (0) 1763 208814

CALIBRATION CERTIFICATE
Page 1 of 1

Date of Calibration: - 8th January 2006 Certificate Number: - 206837
Calibrated by: - N O'Regan Signed: - _____
Customer: - Sensistor Technologies AB
Description: - Standard Calibrated Leak
Manufacturer: - ION Science Ltd
Type Number: - SCL
Serial Number: - SCL1113

Status of instrument upon receipt: -
 Correct Working Condition
 Minor Work Required
 Incorrect Operation or Mechanically Broken

Measurement Standards are derived from volumetric and time sources, which are themselves traceable to UKAS (NAMAS). The relevant procedures are recorded and are available for inspection if required. The following list indicates the identification numbers of traceable items used during the calibration procedure.

THE66	D601	SCL01	258	FLOW01	ST02
BAR01					

The instrument has been calibrated at a temperature of 19.0°C ± 0.25°C and a downstream pressure of 1021.9 mbar ± 2 mbar.
ION Science hereby certify that on the day of calibration the instrument was working according to the manufacturer's original sales specification as checked by the calibration procedure, unless otherwise stated.

RESULTS AFTER ADJUSTMENT

Applied Pressure	Measured Flow
1 Bar Air	5.3 x 10 ⁻³ ml/sec

The estimated measurement uncertainty is ± 2.0%

Comments: -

INNOVATION
REGISTERED LEAK DETECTION SOLUTIONS
Registered in England No. 2359036 VAT No. 532 2024 00
Email: calibration@ionscience.com Website: www.ionscience.com

The first thing you must look at when setting up your leak is the leak specification. This must be correctly correlated to the data on the calibration certificate.

- Check for what gas the leak limit is specified.
- Check that the certificate quotes this gas. If not you must recalculate the corresponding flow for this gas. Ask your supplier for assistance.
- Read the calibrated leak flow stated on the certificate.
- Check what upstream (inlet) pressure the leak is calibrated at.

N.B. The calibrated flow of the reference leak does not need to be exactly the same as the leak limit.

As long as the detector is set up correctly (see section 3.2 above) you will measure correctly within the leak limit.

We recommend that the flow of the reference leak is within 0.5 to 5 times the leak limit. However it should not be outside the range of 0.1 to 10 times the leak limit.

5. Caring for your leak

The leak is a precision instrument and a vital part of your quality assurance system. Handle it with care at all times. It is not necessarily sensitive to dust or dirt but we recommend that you follow the rules below to safeguard the function and accuracy of your leak.

- Do not expose the leak to liquids of any kind. Be particularly mindful of oil and other heavy, non-volatile compounds.
- Keep your probe tips clean so that you do not make the diffuser filter dirty. A dirty and partly clogged diffuser filter can reduce the leak flow.
- Change diffuser filter when it appears dirty.
Extra filters can be ordered separately (part number T.B.A.).
- If you need to clean the exterior of the leak, use a lint free, textile cloth, wetted with pure alcohol (iso-propyl alcohol or ethanol). Make sure cloth is not too wet. It must not drip alcohol.
- Send in the leak for recalibration at regular intervals. See further below.



6. Recalibration of your reference leak

The type of sintered metal powder leaks delivered by INFICON is very stable and does not normally change with time unless they are contaminated with oil or dirt etc.

As it is not evident to the eye if such clogging has occurred, we recommend that you have the leak recalibrated at regular intervals.

Send the leak to your supplier or directly to INFICON, Sweden.

7. Trouble-shooting

Symptom	Cause	Remedy
No or low gas signal from leak.	Probe tip filter is clogged.	Replace external filter (white). Send in probe for service if bronze filter is clogged.
	Probe was not correctly inserted.	Insert probe according to section 3.5
	Residual air has not been purged out.	Purge leak. See section 3.3 above.
	Gas pressure is set too low.	Adjust gas pressure. See section 3.2
	Tracer gas is not connected.	Connect gas. See sections 3.1 through 3.3 above.
	Wrong gas connected.	Check that correct gas is connected. Gas should be identical to tracer gas used. Normally 5% H ₂ / 95% N ₂
Detector calibration failed	Signal was different from last calibration.	Wait 30 s and try again. If failing more than 3 times see next symptom.
	Probe was not properly inserted	Insert probe according to section 3.5
	Probe tip filter is clogged.	Replace external filter (white). Send in probe for service if bronze filter is clogged.
Detector display shows: “Sensitivity too low for alarm level”.	Alarm level is set below detector or probe specification.	Set correct level. See User’s Manuals of Sensistor ISH2000 Detector and your AP unit (if not H50).
	Probe tip filter is clogged.	Replace external filter (white). Send in probe for service if bronze filter is clogged.
	Sensitivity of probe is too low.	Replace probe. Send defect probe for sensor replacement. Sensor in AP29 can be replaced by you.
Sensor status bar on detector display is shorter than earlier.	Probe tip filter is clogged.	Replace external filter (white). Send in probe for service if bronze filter is clogged.
	Sensor has lost some sensitivity.	This is normal after some time. Detector will let you know when sensitivity is too low.

8. Conversion Table for Pressure Units

N.B. A free physical unit converter software can be ordered from reach.sweden@inficon.com.

	bar	kp/cm ² "kg/cm ² "**	mwc** m H ₂ O	PSI	inch Hg	MPa	inch H ₂ O	mm Hg	mbar	cm H ₂ O	mmwc** mm H ₂ O
1 bar =	1	1.019	10.19	14.5	29.5	0.10	394	750	1000	1019	1.02x10 ⁴
1 kp/cm ² ="kg/cm ² "*	0.981	1	10	14.2	28.9	0.0981	387	736	981	1000	10000
1mwc= 1 m H ₂ O =	0.098	0.10	1	1.42	2.89	0.00981	38.7	73.6	98.1	100	1000
1 PSI =	0.069	0.070	0.70	1	2.04	0.00689	27.7	51.7	69	70.3	703
1 inch Hg =	0.0339	0.035	0.345	0.491	1	0.00339	13.6	25.4	33.9	34.5	345
1 MPa =	0.010	0.0102	0.102	0.145	0.295	1	4.02	7.5	10	10.2	102
1 inch H ₂ O =	0.00249	0.0025	0.025	0.0361	0.0735	0.000249	1	1.87	2.49	2.54	25.4
1 mm Hg =	0.00133	0.00135	0.0135	0.0193	0.0394	0.000133	0.535	1	1.33	1.36	13.6
1 mbar =	0.001	0.00102	0.0102	0.0145	0.0295	0.0001	0.402	0.75	1	1.02	10.2
1 cm H ₂ O =	0.00098	0.001	0.01	0.0142	0.029	9.81x10 ⁻⁵	0.394	0.736	0.981	1	10
1 mmwc = 1 mm H ₂ O =	0.000098	0.0001	0.001	0.00142	0.0029	9.81x10 ⁻⁶	0.0394	0.0736	0.0981	0.1	1

*The old unit kp/cm² is often referred to as "kilo per cm²", "kilos", "kg/cm²" or even "kilograms of pressure".

The correct unit should however be kp/cm² (kilo pond / square centimetre).

** mwc and mmwc means meter water column and mm water column.

9. Conversion Table for Flow Units

N.B. A free physical unit converter software can be ordered from reach.sweden@inficon.com.

	g/a R ₁₃₄	mm ³ /s = µl/s	atm-cc/s = ml/s	mbar-l/s	Pa-m ³ /s
1 g/year of R _{134a} =	1	8.0x10 ⁻³	8.0x10 ⁻⁶	7.9·10 ⁻⁶	7.9x10 ⁻⁷
1 mm ³ /s = 1 µl/s =	125	1	1.0x10 ⁻³	9.87x10 ⁻⁴	9.87x10 ⁻⁵
1 atm-cc/s = 1 ml/s =	1.25x10 ⁵	1000	1	0.987	0.0987
1 mbar-l/s =	1.27x10 ⁵	1013	1.013	1	0.10
1 Pa-m ³ /s =	1.27x10 ⁶	1.013x10 ⁴	10.13	10	1

NOTE that it is not very common for pressure normalised flow units to be used. It is for instance common that cc/s is used in place of the more acceptable term, atm cc/s. It is, however, normally safe to assume that normalised units are implied.

10. Specifications

Type: Sintered metal powder.

Connections:

Inlet: Compression connector for 6 x 4 mm and 1/4" x 5/32" tubing. ISO G1/8" internal behind connector.

Outlet: ISO G1/8" external.

Purge valve: Threaded plug to be opened with 2.5 mm Allen key. M5 internal behind plug. (Fits also male UNF10-32)

Calibration methods: Stated on the calibration certificated

Traceability: Traceable to UKAS, NAMAS, NIST, NMIJ, NPL, PTB etc through the Mutual Recognition Arrangement.

Target flow for standard leaks:

Type	Part nr	Flow value	Flow unit	Gas	Upstream pressure (barg)	Downstream pressure
A	590-420	$5 \times 10^{-2} \pm 10\%$	atm ml/s	Air	1	1 atm
B	590-421	$5 \times 10^{-3} \pm 10\%$	atm ml/s	Air	1	1 atm
C	590-422	$5 \times 10^{-4} \pm 10\%$	atm ml/s	Air	1	1 atm

RL2000

TESTLECK



Benutzerhandbuch

Inhalt

1. Sicherheit	3
2. Lieferumfang	4
3. Schnellanleitung für die Kalibrierung von Handmessköpfen	5
3.1. Montage des Testlecks	5
3.2. Druckeinstellung	7
3.3. Testleckspülung	7
3.4. Einstellung der Kalibrierparameter im Sensistor ISH2000-Lecksucher	7
3.5. Kalibrierung	7
4. Einstellung Ihres Testlecks	8
4.1. Das Zertifikat	8
5. Umgang mit dem Testleck	9
6. Nachkalibrierung Ihres Testlecks	9
7. Fehlersuche	10
8. Umrechnungstabelle für Druckeinheiten	11
9. Umrechnungstabelle für Durchflussrateneinheiten	12
10. Technische Daten	13

1. Sicherheit

Wasserstoff ist nicht brennbar, sofern er ausreichend mit Stickstoff verdünnt ist. Gemäß der internationalen Norm ISO 10156 wird das empfohlene Spurengasgemisch (5% Wasserstoff / 95% Stickstoff) als nicht brennbar eingestuft.

Dennoch sind beim Einsatz des empfohlenen Spurengasgemischs drei Sicherheitsaspekte zu berücksichtigen.

- Komprimiertes Gas enthält große Mengen Energie. Durch Defekte an Anschlüssen, Schläuchen usw. kann es zu ernststen Personenschäden kommen. Diese Warnung gilt für alle komprimierten Gase einschließlich Luft.
- Das Spurengasgemisch enthält keinen Sauerstoff. Der Einsatz großer Mengen des Gases in abgeschlossenen Räumen kann u. U. zu Erstickungsgefahr mit Todesfolge führen. Diese Warnung gilt für alle sauerstoffarmen Gase einschließlich Stickstoff und Helium.
- Versehentlich gekaufter reiner Wasserstoff ist brennbar! Versichern Sie sich, dass die Gasflasche mit einem grünen Etikett versehen ist!



Gefahr

Das empfohlene Spurengasgemisch enthält keinen Sauerstoff.
Der Einsatz großer Mengen dieses Gases in abgeschlossenen Räumen kann u. U. zu Luftverdrängung und Erstickungsgefahr führen.



Gefahr

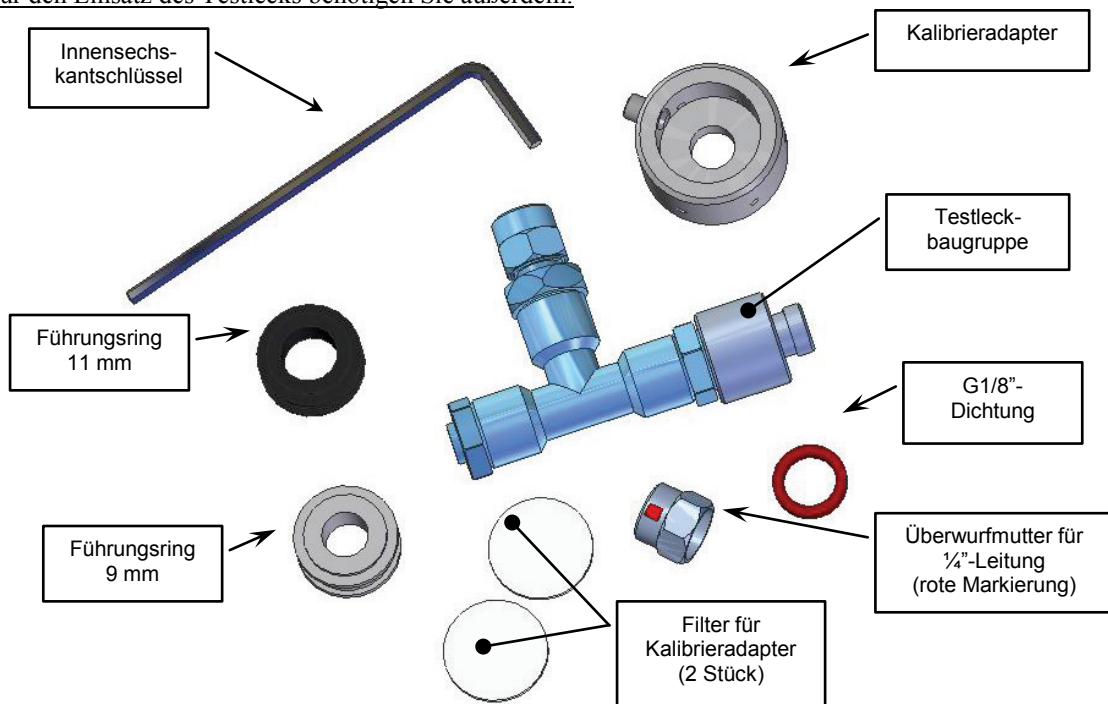
Komprimierte Gase enthalten Energie!
Lassen Sie äußerste Vorsicht walten, und verwenden Sie nie höhere Drücke als die, für die Ihre Anschlüsse, Schläuche, Regler usw. ausgelegt sind.
Der maximale Druck für das Leck an sich beträgt 3 MPa (30 bar).

2. Lieferumfang

Ihre Lieferung umfasst folgende Positionen (siehe Abbildung unten):

- Testleckbaugruppe, bestehend aus Leck- und Spülventilbaugruppe
- Kalibrieradapter (für Handmesskopf)
- Filter für Kalibrieradapter (2 Stück)
- Führungsring für Handmessköpfe mit 8 mm Durchmesser (weiß)
- Führungsring für Handmessköpfe mit 10 mm Durchmesser (schwarz)
- Dichtung G1/8 (rot)
- Überwurfmutter für 1/4"-Leitung (mit roter Markierung)
- 2,5 mm Innensechskantschlüssel für Spülventil und Montage des Kalibrieradapters
- Kalibrierzertifikat
- Druckkorrekturkurve
- Aufbewahrungsbox
- Vorliegende Bedienungsanleitung

Für den Einsatz des Testlecks benötigen Sie außerdem:



- **Spurengas.** Hierbei sollte es sich um dasselbe Gas handeln, das Sie auch für Ihre Leckprüfung verwenden (typischerweise 5% H₂ in 95% N₂).
- **Druckregler** zur Einstellung des zur Versorgung des Testlecks erforderlichen Spurengasdrucks.

Manometer zur Überprüfung der Druckreglereinstellung. Denken Sie daran, dass das Kalibrierzertifikat nur bei korrektem Testleck-Einlassdruck gültig ist! Verwenden Sie ein korrekt anzeigendes Manometer ($\pm 2\%$ Anzeige oder besser).

3. Schnellanleitung für die Kalibrierung von Handmessköpfen

Im Folgenden wird schrittweise komprimiert beschrieben, wie Sie Ihr Testleck für die Kalibrierung der INFICON-Handmessköpfe einrichten und benutzen können.

Wenn Sie das Leck für andere Zwecke angeschafft haben, überspringen Sie einfach die nicht anwendbaren Schritte.

Genauere Anweisungen zur Integration Ihres Testlecks in automatische Prüfsysteme usw. erhalten Sie von Ihrem Lieferanten.

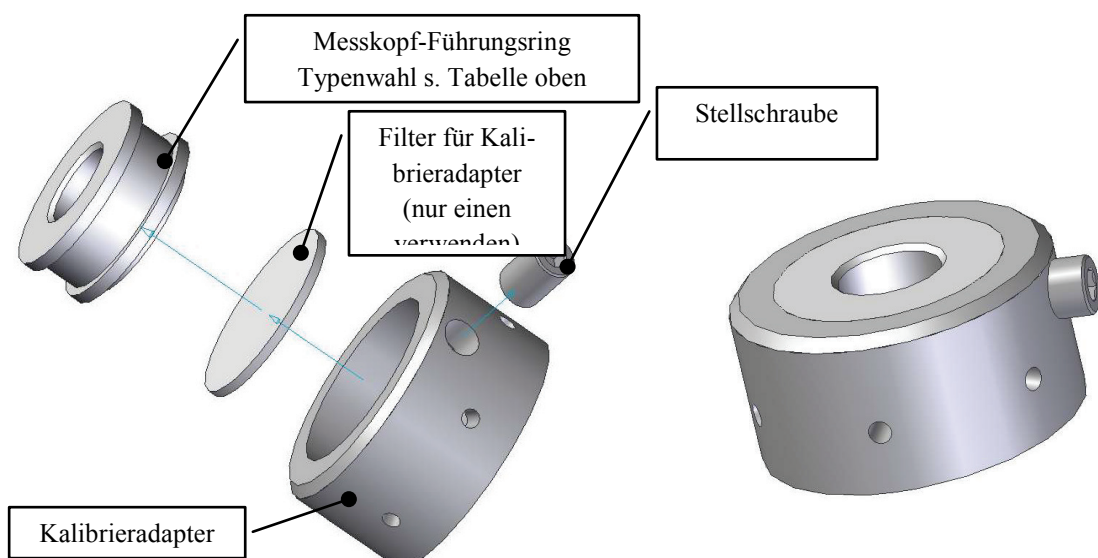
3.1. Montage des Testlecks

Vor der Montage Ihres Testlecks empfehlen wir Ihnen, das Zertifikat und die Druckkorrekturkurve zu kopieren. Bewahren Sie die Originale gut auf.

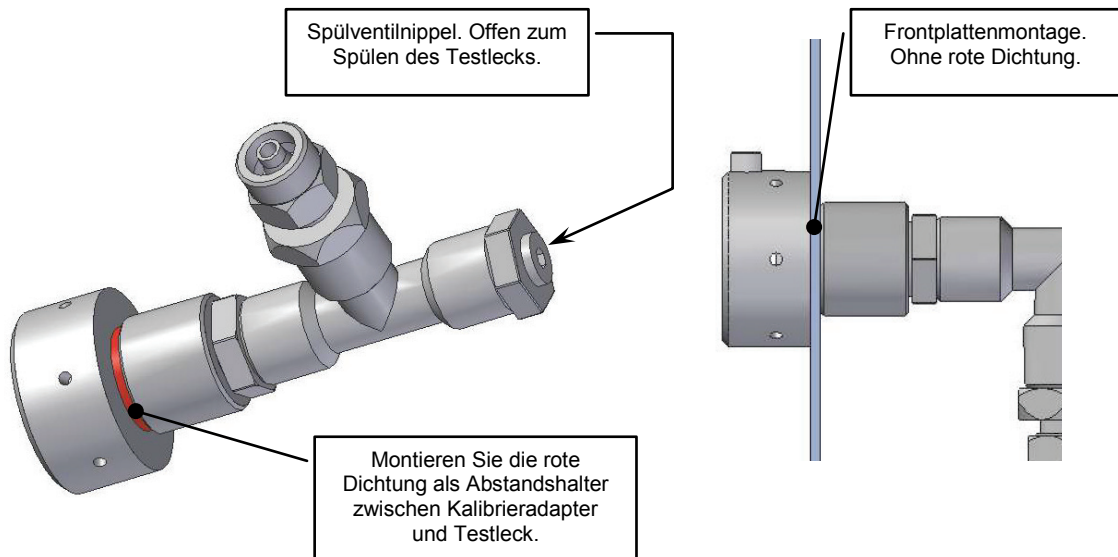
- Wählen Sie aus der folgenden Tabelle den passenden Führungsring aus.

Messkopfkonfiguration	Ring	Farbe
Handmesskopf H50 ohne Schutzkappe für Messkopfspitze	9 mm	weiß
Handmesskopf H50 mit Schutzkappe für Messkopfspitze	11 mm	schwarz
Schnüffel-Messkopf H55 (System AP55)	11 mm	schwarz
Gegenstrommesskopf H57 (System AP57)	11 mm	schwarz
Einschraubensensor H65	9 mm	weiß
Sonstige Messköpfe mit 6 – 8,5 mm Spitzen	9 mm	weiß
Sonstige Messköpfe mit 8,6 – 10,5 mm Spitzen	11 mm	schwarz

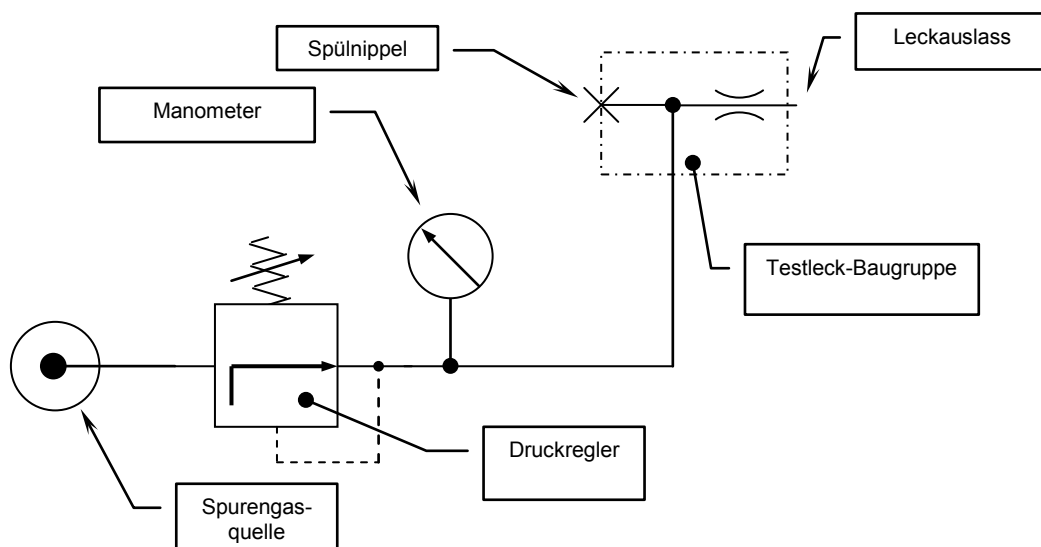
- Montieren Sie den Kalibrieradapter gem. nachstehender Abbildung:



- Installieren Sie Ihr Testleck je nach Bedarf in einer Frontplatte oder bauen Sie den Kalibrieradapter und das Testleck mit der roten Dichtung als Abstandshalter zusammen. Siehe Abbildung:



- Schließen Sie Ihr Leck, wie unten abgebildet, an die Spurengasversorgung an. Denken Sie daran, dass die Kalibriergenauigkeit unmittelbar von der Genauigkeit des Druckreglers und des Manometers abhängt.
- Verwenden Sie einen Kunststoff-Druckluftschlauch für die Spurengasversorgung. Die unmarkierte Überwurfmutter ist für 6 x 4 mm-Schläuche vorgesehen. Die Mutter mit der roten Markierung ist für 1/4" x 5/32"-Schläuche gedacht. Entfernen Sie die Überwurfmutter von der Kupplung. Schieben Sie die Mutter über das Schlauchende mit dem Gewinde zum Schlauchende. Schieben sie den Schlauch vollständig auf die Verbindung, schieben Sie die Mutter nach unten und ziehen Sie sie per Hand fest. Ziehen Sie nun die Mutter noch einmal mit einem 12 mm-Schlüssel oder einem Rollgabelschlüssel um eine halbe Umdrehung nach.



3.2. Druckeinstellung

- Stellen Sie den Regler auf den im Kalibrierzertifikat angegebenen Druck ein. Siehe dazu auch Kapitel "Einstellung Ihres Testlecks".

3.3. Testleckspülung

- Öffnen Sie das Spülventil (siehe Abb. oben) für einige Sekunden, um die gesamte in den Schläuchen verbliebene Luft auszublasen.
- Verschließen Sie das Spülventil gut.
- Überprüfen Sie das Manometer erneut, und justieren Sie ggf. den Druck nach.

Bereits wenige Sekunden nach dem Spülvorgang ist das Leck einsatzbereit.

3.4. Einstellung der Kalibrierparameter im Sensistor ISH2000-Lecksucher

- Stellen Sie die *Kalibrierungsdauer* auf 10 s ein (Standardwert). Für andere Messköpfe als passive Handmessköpfe siehe entsprechende Benutzerhandbuch.
- Stellen Sie den *Kalibrierungsfaktor* gemäß dem im Kalibrierzertifikat angegebenen Leckratenwert ein.
- Stellen Sie die *Messeinheit* auf den im Kalibrierzertifikat angegebenen Wert ein. (Sie können auch andere Einheiten für die Durchflussrate anwenden. Verwenden Sie dafür die Durchfluss-Umrechnungstabelle unten. Denken Sie jedoch daran, den Durchflusswert neu zu berechnen. Der *Kalibrierungsfaktor* muss auf den neuen Wert eingestellt werden.)

Siehe dazu mehr in der "Sensistor ISH2000- Benutzerhandbuch".

3.5. Kalibrierung

- Starten Sie die Kalibrierung vom Sensistor ISH2000-Menü aus (oder durch Betätigung des Schalters vorne auf der APC-Einheit).
- Sobald der Balken auf der Anzeige beginnt, größer zu werden, führen Sie den Messkopf schnell gerade in den Kalibrieradapter ein. Siehe Abb. unten:



- Nach Abschluss der Gasanalyse durch den Lecksucher entfernen Sie den Messkopf.
- Wenn der Lecksucher eine erneute Kalibrierung fordert, warten Sie > 30s und kalibrieren Sie dann erneut.
- Wenn der Detektor "Kalibrierung abgeschlossen" meldet, drücken Sie Speichern.

4. Einstellung Ihres Testlecks

4.1. Das Zertifikat

ID-Nr. des Testlecks.


Die Nummer ist im Testleck eingraviert.

Auslassdruck. Entspricht üblicherweise dem atmosphärischer Druck, d.h. der Auslass des Testlecks ist offen zur Umgebungsluft.

Einlassdruck und Gastyp, für den die Kalibrierung gültig ist.

Kalibrierte Testleck-Durchflussrate

Page 1 of 1



ION SCIENCE LIMITED The Way, Fenner, Cambridge CB6 7UJ
 Telephone: +44 (0) 1763 266003 Facsimile: +44 (0) 1763 266014

CALIBRATION CERTIFICATE

Date of Calibration: 07 January 2006 Certificate Number: 206637
 Calibrated by: N O Ragan Signed: _____
 Customer: Sensor Technologies AB
 Description: Standard Calibrated Leak
 Manufacturer: ION Science Ltd
 Type Number: SCL
 Serial Number: **SCL1113**

Status of instrument upon receipt:

Correct Working Condition
 Minor Work Required
 Incorrect Operation or Mechanically Broken

Measurement Standards are derived from volumetric and time sources, which are themselves traceable to UKAS (N/AAS). The relevant procedures are recorded and are available for inspection if required. The following list indicates the identification numbers of traceable items used during the calibration procedure.

ITEM	ID	SCL	SIZE	FLOW	UNIT
BARO	D901	SCL01	250	FLOW01	ml/min

The instrument has been calibrated at a temperature of 19.0°C ± 0.25°C and a test pressure of 1031.9 mbar ± 2 mbar.


ION Science hereby certify that on the day of calibration the instrument was working according to the manufacturer's original sales specification as checked by the calibration procedure, unless otherwise stated.

RESULTS AFTER ADJUSTMENT

Applied Pressure	Measured Flow
1 Bar Air	5.0×10^{-2} ml/sec

The estimated measurement uncertainty is ± 2.0%.

Comments: _____



Registered in England No. 2259238 VAT No. 832 2064 99
 Email: calibration@ionscience.com Website: www.ionscience.com

Das Erste, wonach Sie sehen müssen, wenn Sie Ihr Testleck einstellen, ist Ihre Testleckspezifikation. Das Verhältnis zu den Daten im Kalibrierzertifikat muss stimmen.

Überprüfen Sie, für welches Gas Ihr Lecklimit spezifiziert ist.

- Stellen Sie sicher, dass dieses Gas im Zertifikat aufgeführt ist. Falls dies nicht der Fall sein sollte, müssen sie nochmals den entsprechenden Durchfluss für dieses Gas berechnen. Fragen Sie Ihren Händler, wenn Sie Hilfe benötigen.
- Lesen Sie die entsprechende Testleck-Durchflussrate ab.
- Kontrollieren Sie, bei welchem Einlassdruck das Leck kalibriert wurde.

Bitte beachten: Der kalibrierte Durchfluss des Testlecks muss nicht exakt dem Wert des Lecklimits entsprechen.

Solange das Lecksuchgerät korrekt eingestellt ist (siehe Abschnitt 3.2 oben), werden Sie innerhalb des Lecklimits korrekte Messungen erhalten.

Wir empfehlen, dass die Testleck-Durchflussrate 0,5 bis 5 mal dem Wert des Lecklimits entspricht. Sie sollte auf keinen Fall außerhalb der Faktoren 0,1 bis 10 mal dem Wert des Lecklimits liegen.

5. Umgang mit dem Testleck

Bei Ihrem Testleck handelt es sich um ein Präzisionswerkzeug und ein wesentliches Element Ihres Qualitätssicherungssystems. Gehen Sie immer sorgfältig damit um. Es ist nicht besonders staub- oder schmutzempfindlich. Dennoch empfehlen wir Ihnen, sich an die folgenden Regeln zu halten und somit die Funktion und die Genauigkeit Ihres Testlecks zu erhalten.

- Setzen Sie das Testleck keinen Flüssigkeiten aus. Besonders vorsichtig sollten Sie bei Öl und anderen schweren, nicht flüchtigen Gemischen sein.
- Halten Sie die Messkopfspitzen sauber, damit der Filter des Kalibrieradapters nicht verschmutzt. Ein verschmutzter und teilweise verstopfter Kalibrieradapterfilter kann den Testleck-Durchflusswert verringern.
- Sobald der Kalibrieradapterfilter schmutzig aussieht, wechseln Sie ihn aus. Zusätzliche Filter können unter einer separaten Nummer bestellt werden (Teilenr. T.B.A.).
- Wenn Sie Ihr Testleck außen reinigen müssen, verwenden Sie dazu ein einen fusselfreien, mit reinem Alkohol getränkten Lappen (Isopropylalkohol oder Ethanol). Stellen Sie sicher, dass der Lappen nicht zu nass ist. Der Alkohol darf nicht heraustropfen.
- Schicken Sie Ihr Testleck regelmäßig zur Nachkalibrierung ein. Einzelheiten siehe unten.



6. Nachkalibrierung Ihres Testlecks

Die von INFICON gelieferten Testlecks aus gesintertem Metallpulver sind sehr stabil und verändern sich normalerweise nicht mit der Zeit, es sei denn, sie sind durch Öl, Schmutz o.ä. verstopft.

Da eine solche Verstopfung nicht unbedingt mit dem bloßen Auge zu erkennen ist, empfehlen wir eine regelmäßige Nachkalibrierung Ihres Testlecks.

Schicken Sie Ihr Testleck entweder an Ihren Lieferanten oder direkt an INFICON, Schweden.

7. Fehlersuche

Symptom	Ursache	Lösung
Gassignal vom Testleck nicht vorhanden oder zu niedrig.	Filter in der Messkopfspitze ist verstopft.	Externen Filter (weiß) austauschen. Messkopf zum Service einschicken, falls Bronzefilter verstopft ist.
	Messkopf wurde nicht einwandfrei eingesteckt.	Messkopf gem. Kapitel 3.5 einstecken.
	Restluft wurde nicht ausgespült.	Testleck spülen. Siehe oben, Kapitel 3.3.
	Gasdruck ist zu niedrig eingestellt.	Gasdruck justieren. Siehe Kapitel 3.2
	Spurengas ist nicht angeschlossen.	Gas anschließen. Siehe oben, Kapitel 3.1 bis 3.3.
	Falsches Gas angeschlossen.	Überprüfen Sie, ob das richtige Gas angeschlossen ist. Das Gas sollte das selbe sein, wie das verwendete Spurengas. Normalerweise 5% H ₂ / 95% N ₂
Lecksucherkalibrierung misslungen.	Signal war anders als bei der letzten Kalibrierung.	Warten Sie 30 s und versuchen Sie es dann erneut. Bei mehr als drei Fehlversuchen siehe nächstes Symptom.
	Messkopf war nicht einwandfrei eingesteckt.	Messkopf gem. Kapitel 3.5 einstecken.
	Filter in der Messkopfspitze ist verstopft.	Externen Filter (weiß) austauschen. Messkopf zum Service einschicken, falls Bronzefilter verstopft ist.
Lecksucherdisplay meldet: <i>“Empfindlichkeit zu niedrig für eingestellten Alarmpegel”</i> .	Alarmpegel ist niedriger eingestellt als Lecksucher- bzw. Messkopfspezifikation.	Korrekten Pegel einstellen. Siehe Bedienungsanleitung für Sensistor ISH2000-Lecksucher und Ihre AP-Einheit (soweit nicht H50).
	Filter in der Messkopfspitze ist verstopft.	Externen Filter (weiß) austauschen. Messkopf zum Service einschicken, falls Bronzefilter verstopft ist.
	Messkopfempfindlichkeit ist zu niedrig.	Messkopf austauschen. Schicken Sie den defekten Messkopf zum Sensoraustausch ein. Den Sensor im AP29 können Sie selbst austauschen.
Sensorzustandsbalken am Lecksucherdisplay ist kürzer als zuvor.	Filter in der Messkopfspitze ist verstopft.	Externen Filter (weiß) austauschen. Messkopf zum Service einschicken, falls Bronzefilter verstopft ist.
	Sensor hat etwas an Empfindlichkeit eingebüßt.	Nach einer gewissen Zeit ist dies normal. Der Lecksucher meldet, wenn die Empfindlichkeit zu niedrig wird.

8. Umrechnungstabelle für Druckeinheiten

	bar	kp/cm ² "kg/cm ² "	mwc** m H ₂ O	PSI	inch Hg	MPa	inch H ₂ O	mm Hg	mbar	cm H ₂ O	mmwc** mm H ₂ O
1 bar =	1	1.019	10.19	14.5	29.5	0.10	394	750	1000	1019	1.02x10 ⁴
1 kp/cm ² ="kg/cm ² "=*	0.981	1	10	14.2	28.9	0.0981	387	736	981	1000	10000
1mwc= 1 m H ₂ O =	0.098	0.10	1	1.42	2.89	0.00981	38.7	73.6	98.1	100	1000
1 PSI =	0.069	0.070	0.70	1	2.04	0.00689	27.7	51.7	69	70.3	703
1 inch Hg =	0.0339	0.035	0.345	0.491	1	0.00339	13.6	25.4	33.9	34.5	345
1 MPa =	0.010	0.0102	0.102	0.145	0.295	1	4.02	7.5	10	10.2	102
1 inch H ₂ O =	0.00249	0.0025	0.025	0.0361	0.0735	0.000249	1	1.87	2.49	2.54	25.4
1 mm Hg =	0.00133	0.00135	0.0135	0.0193	0.0394	0.000133	0.535	1	1.33	1.36	13.6
1 mbar =	0.001	0.00102	0.0102	0.0145	0.0295	0.0001	0.402	0.75	1	1.02	10.2
1 cm H ₂ O =	0.00098	0.001	0.01	0.0142	0.029	9.81x10 ⁻⁵	0.394	0.736	0.981	1	10
1 mmwc = 1 mm H ₂ O =	0.000098	0.0001	0.001	0.00142	0.0029	9.81x10 ⁻⁶	0.0394	0.0736	0.0981	0.1	1

ANMERKUNG: Sie können kostenlos eine Umrechnungssoftware für physikalische Einheiten ordern von mail@INFICON.se.

*Die alte Einheit kp/cm² heißt oft auch "Kilo pro cm²", "Kilos", "kg/cm²" oder sogar "Kilogramm Druck".

Die korrekte Einheitenbezeichnung lautet jedoch kp/cm² (Kilopond / Quadratzentimeter).

** mwc bzw. mmwc bedeutet Meter Wassersäule bzw. mm Wassersäule.

9. Umrechnungstabelle für Durchflussrateneinheiten

ANMERKUNG: Sie können kostenlos eine Umrechnungssoftware für physikalische Einheiten ordern von mail@INFICON.se.

	g/a R ₁₃₄	mm ³ /s = µl/s	atm·cc/s = ml/s	mbar·l/s	Pa·m ³ /s
1 g/Jahr R _{134a} =	1	8,0x10 ⁻³	8,0x10 ⁻⁶	7,9·10 ⁻⁶	7,9x10 ⁻⁷
1 mm ³ /s = 1 µl/s =	125	1	1,0x10 ⁻³	9,87x10 ⁻⁴	9,87x10 ⁻⁵
1 atm·cc/s = 1 ml/s =	1,25x10 ⁵	1000	1	0,987	0,0987
1 mbar·l/s =	1,27x10 ⁵	1013	1,013	1	0,10
1 Pa·m ³ /s =	1,27x10 ⁶	1,013x10 ⁴	10,13	10	1

Anmerkung: es ist nicht sehr verbreitet, drucknormierte Durchflussrateneinheiten zu verwenden. Sehr oft wird z.B. cc/s anstatt der korrekteren Einheit atm cc/s benutzt. Dennoch kann man in einem solchen Fall normalerweise davon ausgehen, dass die normierten Einheiten gemeint sind.

10. Technische Daten

Typ: Gesintertes Metallpulver

Anschlüsse:

Einlass: Adapter für 6 x 4 mm und 1/4" x 5/32"-Leitung ISO G1/8"
Innengewinde hinter Adapter

Auslass: ISO G1/8" Außengewinde

Spülventil: Gewindenippel (M5/UNF10-32) mit 2,5 mm Innensechskantschlüssel
M5 Innengewinde hinter Stöpsel

Kalibriermethoden: auf Kalibrierzertifikat angegeben

Rückführbarkeit: Rückführbar auf UKAS, NAMAS, NIST, NMIJ, NPL, PTB usw. auf Basis gegenseitiger Anerkennungsvereinbarung

Zielgrößen für Standard-Testlecks:

Typ	Teilenr.	Durchflussrate	Einheit	Gas	Druck Einlass (MPa)	Druck Auslass
A	90420	$5 \times 10^{-2} \pm 25\%$	atm cc/s	Luft	0,1	1 atm
B	90421	$5 \times 10^{-3} \pm 25\%$	atm cc/s	Luft	0,1	1 atm
C	90422	$5 \times 10^{-4} \pm 25\%$	atm cc/s	Luft	0,1	1 atm



INFICON AB, Box 76, SE-581 02 Linköping, Sweden
Phone: +46 (0) 13 35 59 00 Fax: +46 (0) 13 35 59 01
www.inficon.com E-mail: reach.sweden@inficon.com