

VSA200, VSD200

Vacuum Switch

INFICON Vacuum Switches are designed for accurate and reliable pressure detection. These robust electronic switches are used in all vacuum applications, including pressure interlock. The switches are available in two versions, absolute (references vacuum) or differential (references ambient).



ADVANTAGES

- Corrosion resistant all stainless steel design
- Relay output with potential free contacts
- Easy installation with setpoints factory preset or field-adjustable
- High-accuracy temperature compensated sensor
- Robust design, cleanroom compliant
- Pressure range 1×10^{-9} mbar ... 2 bar
- CE, RoHS

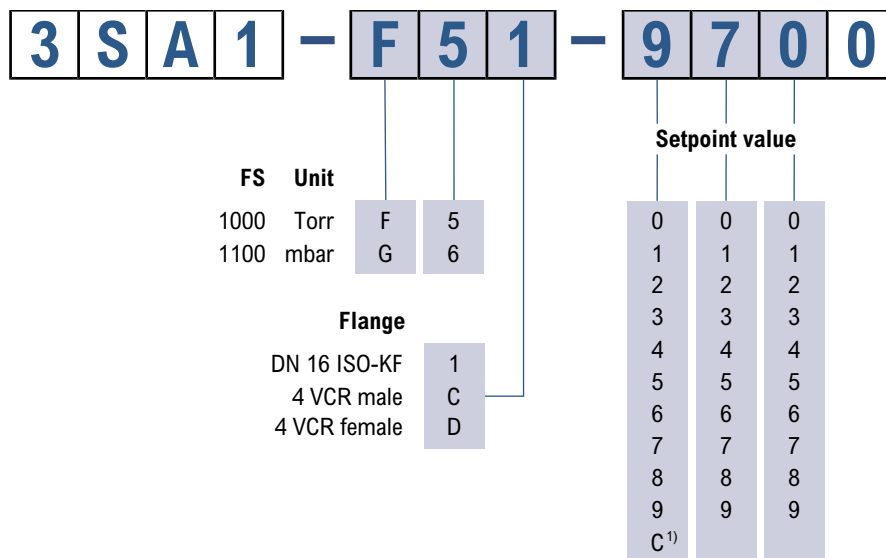
APPLICATIONS

- Atmospheric pressure detection for all vacuum applications
- Pressure interlock (power supplies, gas supplies, pumps, valves, actuators, etc.)
- Vacuum to high vacuum

VSA200, VSD200

ORDERING INFORMATION

ORDERING INFORMATION VSA200 ABSOLUTE SWITCH

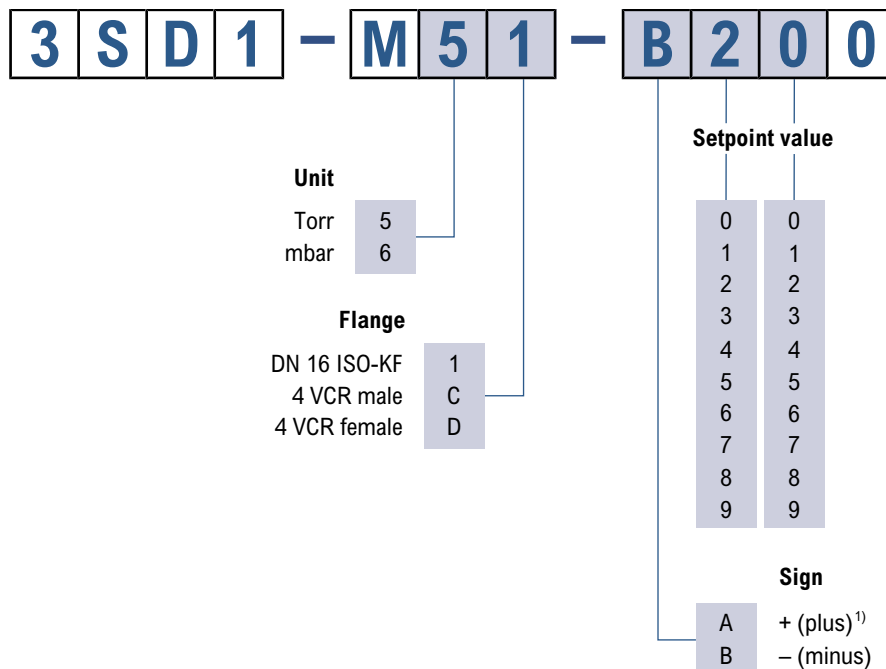


1) C=10

Example:	Setpoint at 970 Torr absolute pressure, DN 16 ISO-KF:	3SA1-F51-9700
	Setpoint at 1080 mbar absolute pressure, 4 VCR male:	3SA1-G6C-C800

VSA200, VSD200

ORDERING INFORMATION VSD200 DIFFERENTIAL SWITCH



1) setpoint only possible up to +46 Torr / mbar

Example: 20 Torr below ambient pressure, DN 16 ISO-KF: 3SD1-M51-B200

Accessories

Communication adapter (2 m) for PC USB port ¹⁾

Part no.

303-336

¹⁾ Software to read or write data on Windows can be downloaded from our website

SPECIFICATION

	VSA200	VSD200
Full Scale (FS)	1000 Torr / 1100 mbar	-
Differential range ¹⁾	-	-100 ... +50 Torr / mbar
Setpoint range	20 ... 970 Torr / 30 ... 1060 mbar	-99 ... +46 Torr / mbar
Admissible pressure (absolute)	5 bar	2 bar
Setpoint relay	n.o., n.c., potential free	
Relay output	30 V / 1 A (dc)	
Contact rating	125 V / 0.3 A (ac)	
Setpoint accuracy	0.5 % FS	
Temperature effect on zero and span	≤±0.02 % FS / °C	
Response time	≤45 ms	

¹⁾ References to ambient pressure

VSA200, VSD200

	VSA200	VSD200
Hysteresis		2% FS
Electrical connection		D-Sub, 9-pin
Supply voltage		14 ... 30 V (dc)
Power consumption		<0.5 W
Admissible temperature		
Operation (ambient)		0 ... 70 °C
Storage		-40 ... 80 °C
Materials exposed to vacuum		Stainless steel
Mounting orientation		Any
Internal volume		
DN 16 ISO-KF		2.81 cm ³ (0.17 in. ³)
4 VCR		0.93 cm ³ (0.057 in. ³)
Weight		140 g
Degree of protection		IP 40
Sensor protection	Short circuit protection and reverse polarity protection	

¹⁾ References to ambient pressure

DIMENSIONS

