

Reducing Cross - Stainless Steel

INFICON ISO-KF fittings are manufactured according to ISO 2861/1, DIN 28403 and Pneurop 6606. Our quality fittings are the standard components for all vacuum and high vacuum applications. The high quality INFICON components are designed and tested for leak rates less than 1×10^{-9} mbar l/s.



BENEFITS

- Competitively priced
- World wide logistics
- Design and measures follow strictly international respected standards
- Surface finish, welds, material specifications and cleanliness meet or exceed high vacuum specifications
- 2011/65/EU RoHS compliant

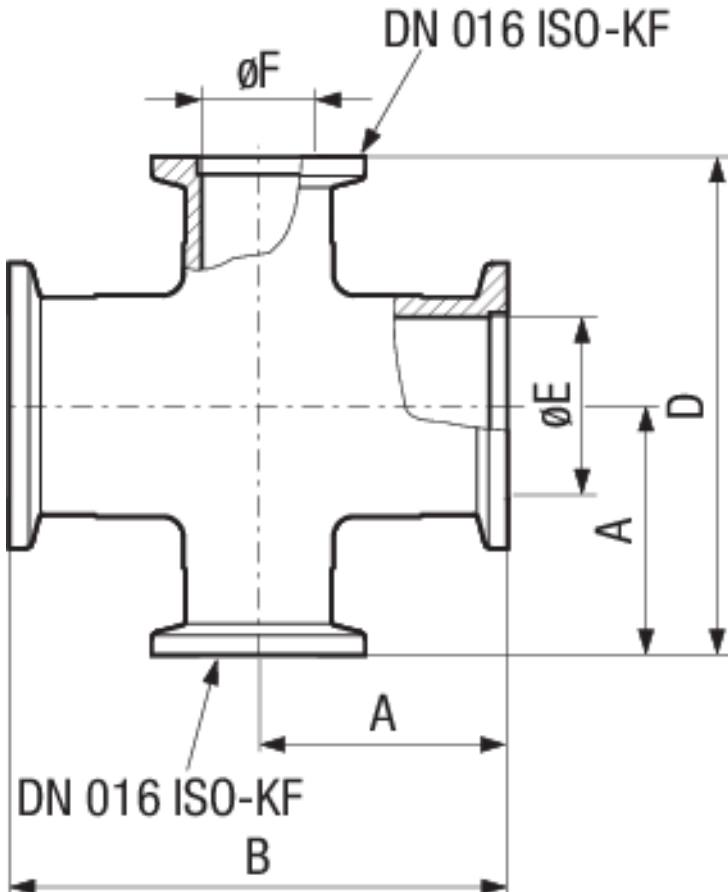
ORDER INFORMATION

Type	DN 25/16 ISO-KF	DN 40/16 ISO-KF	DN 50/16 ISO-KF
Reducing cross piece, inox, DN 25/16 KF	211-301		
Reducing cross piece, inox, DN 40/16 KF		211-302	
Reducing cross piece, inox, DN 50/16 KF			211-303

SPECIFICATIONS

Type	DN 25/16 ISO-KF	DN 40/16 ISO-KF	DN 50/16 ISO-KF
Dimension A	35	40	50
Dimension B	70	80	100
Dimension C	35	45	50
Dimension D	70	90	100
Dimension E	25	40.5	53
Dimension F	17	16	16
Material:	Stainless Steel 304/1.4301	Stainless Steel 304/1.4301	Stainless Steel 304/1.4301

DIMENSIONS



www.inficon.com reachus@inficon.com

Due to our continuing program of product improvements, specifications are subject to change without notice. RateWatcher is a trademark of INFICON. All other trademarks are the property of their respective owners.

(2018-08) © 2018 INFICON