

## Metal Hose

---

INFICON ISO-K quality fittings are manufactured according to ISO 1609, DIN 28404 and Pneurop 6606. Our quality large diameter fittings are the standard vacuum components for all vacuum and high vacuum lines. The high quality INFICON fittings are designed and tested for leak rates less than  $1 \times 10^{-9}$  mbar l/s.

### **BENEFITS**

---

- Competitively priced
- World wide logistics
- Design and measures follow strictly international respected standards
- Surface finish, welds, material specifications and cleanliness meet or exceed high vacuum specifications
- 2011/65/EU RoHS compliant

### **ORDER INFORMATION**

---

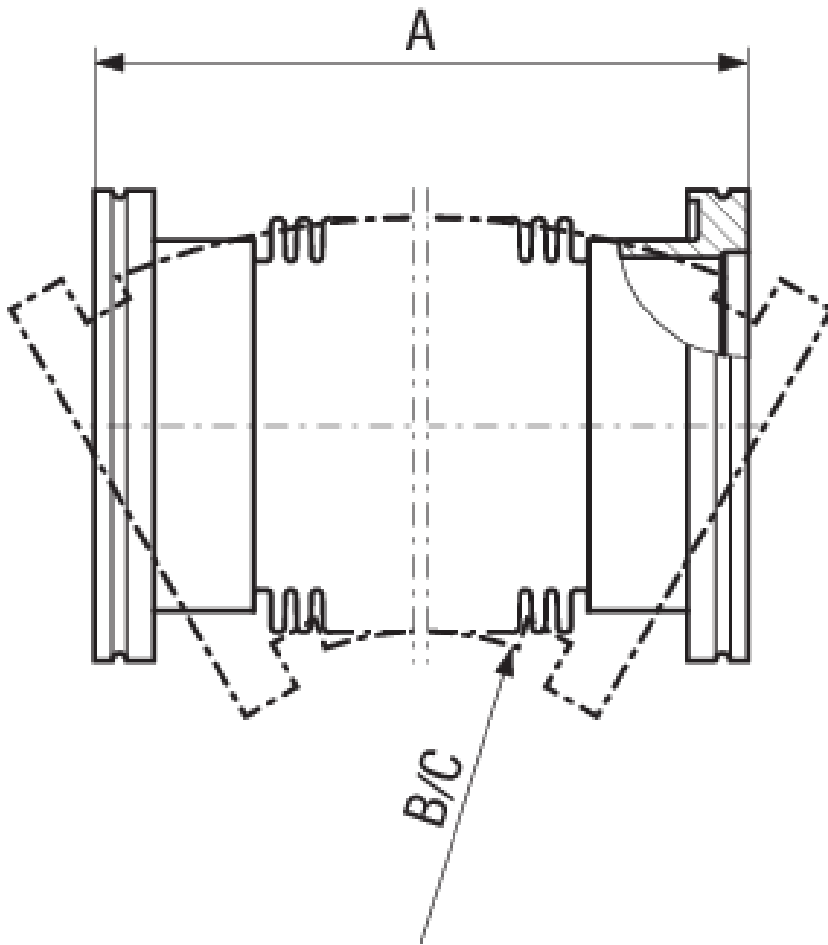
Type	DN 63 ISO-K	DN 100 ISO-K	DN 160 ISO-K
Metal hose DN 160 ISO-Kx1000			212-222
Metal hose, inox, DN 100 ISO-K x 1000		212-218	
Metal hose, inox, DN 100 ISO-K x 250		212-215	
Metal hose, inox, DN 100 ISO-K x 500		212-216	
Metal hose, inox, DN 100 ISO-K x 750		212-217	
Metal hose, inox, DN 63 ISO-K x 1000	212-214		
Metal hose, inox, DN 63 ISO-K x 250	212-211		
Metal hose, inox, DN 63 ISO-K x 500	212-212		
Metal hose, inox, DN 63 ISO-K x 750	212-213		

## SPECIFICATIONS

Type	DN 63 ISO-K	DN 100 ISO-K	DN 160 ISO-K
Dimension A	250, 500, 750, 1000	250, 500, 750, 1000	1000
Dimension B	330	530	1050
Dimension C	90	130	215
Flanges:	Stainless steel 304/-	Stainless steel 304/-	Stainless steel 304/-
Bellows:	Stainless steel 316Ti/-	Stainless steel 316Ti/-	Stainless steel 316Ti/-
Internal pressure:	Max 1.5 bar	Max 1.5 bar	Max 1.5 bar
B =	Radius for multiple bending	Radius for multiple bending	Radius for multiple bending
C =	Radius for single bending	Radius for single bending	Radius for single bending

## DIMENSIONS

---



[www.inficon.com](http://www.inficon.com)    [reachus@inficon.com](mailto:reachus@inficon.com)

Due to our continuing program of product improvements, specifications are subject to change without notice. RateWatcher is a trademark of INFICON. All other trademarks are the property of their respective owners.

(2018-08)    © 2018 INFICON