

Elbow 90° - Stainless Steel

INFICON ISO-K quality fittings are manufactured according to ISO 1609, DIN 28404 and Pneurop 6606. Our quality large diameter fittings are the standard vacuum components for all vacuum and high vacuum lines. The high quality INFICON fittings are designed and tested for leak rates less than 1×10^{-9} mbar l/s.



BENEFITS

- Competitively priced
- World wide logistics
- Design and measures follow strictly international respected standards
- Surface finish, welds, material specifications and cleanliness meet or exceed high vacuum specifications
- 2011/65/EU RoHS compliant

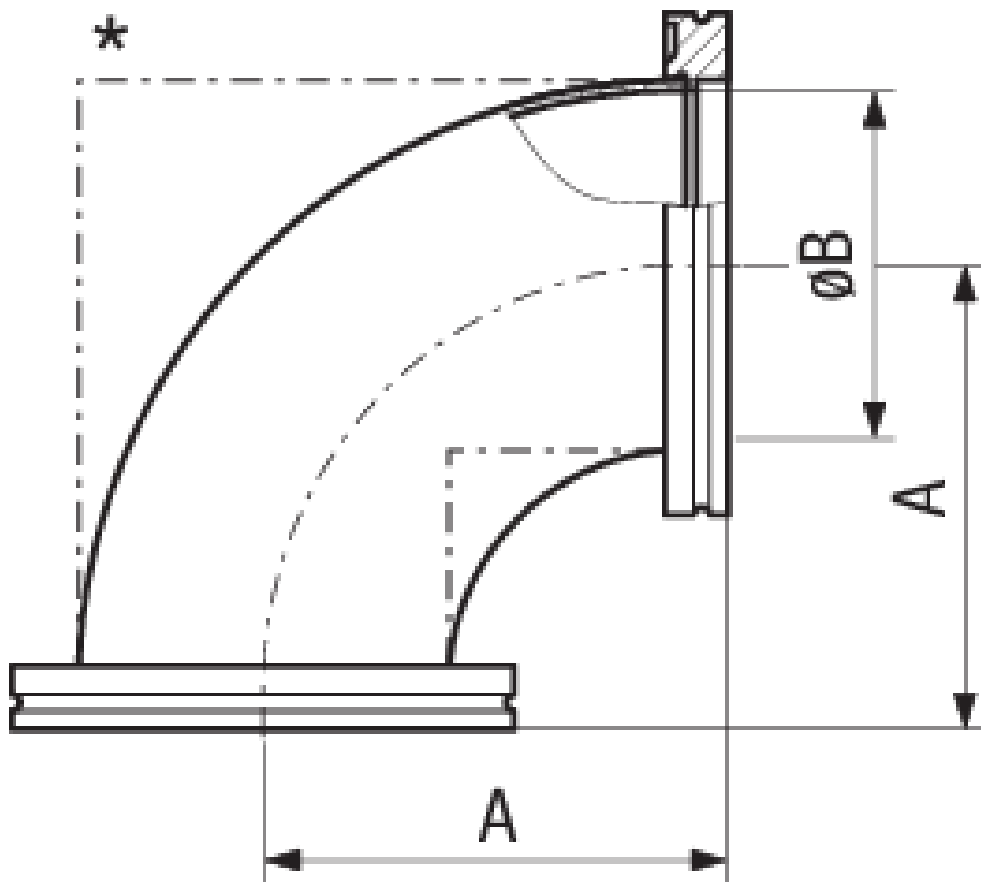
ORDER INFORMATION

Type	DN 63 ISO-K	DN 100 ISO-K	DN 160 * ISO-K	DN 200 * ISO-K	DN 250 * ISO-K	DN 320 * ISO-K
Elbow 90°, inox, DN 100 ISO-K		212-102				
Elbow 90°, inox, DN 160 ISO-K			212-103			
Elbow 90°, inox, DN 200 ISO-K				212-104		
Elbow 90°, inox, DN 250 ISO-K					212-105	
Elbow 90°, inox, DN 320 ISO-K						212-106
Elbow 90°, inox, DN 63 ISO-K	212-101					

SPECIFICATIONS

Type	DN 63 ISO-K	DN 100 ISO-K	DN 160 * ISO-K	DN 200 * ISO-K	DN 250 * ISO-K	DN 320 * ISO-K
Dimension A	88	108	138	178	208	250
Elbow	90° Radius Elbow	90° Radius Elbow	90° Mitered Elbow	90° Mitered Elbow	90° Mitered Elbow	90° Mitered Elbow
Dimension B	66	100	150	213	250	318
Material:	Stainless steel 304/-	Stainless steel 304/-	Stainless steel 304/-	Stainless steel 304/-	Stainless steel 304/-	Stainless steel 304/-

DIMENSIONS



www.inficon.com reachus@inficon.com

Due to our continuing program of product improvements, specifications are subject to change without notice. RateWatcher is a trademark of INFICON. All other trademarks are the property of their respective owners.

(2018-08) © 2018 INFICON