

# Hexagonal Bolts with Duo Nuts

INFICON CF quality fittings are manufactured according to ISO 3669 and the latest TS/ ISO 3669-2 standard. INFICON Ultra high vacuum fittings are designed for applications down to  $1 \times 10^{-12}$  mbar and bakeout temperatures up to 400°C.



## BENEFITS

- World wide logistics
- Design and measures follow strictly international respected standards
- 2011/65/EU RoHS compliant

## ORDER INFORMATION

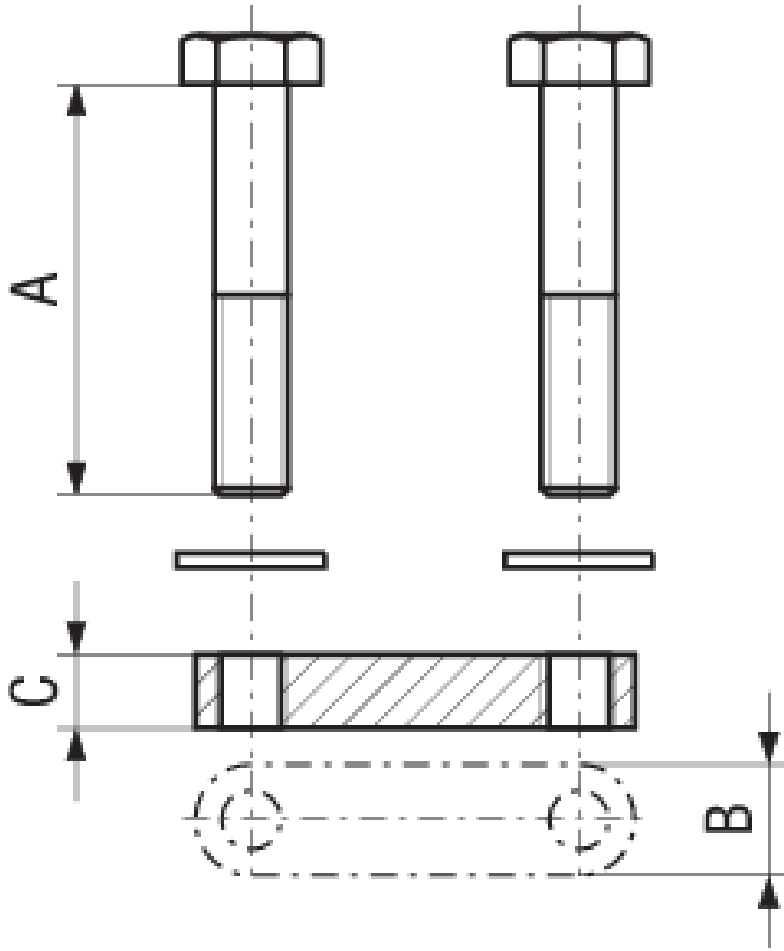
Type	DN 16 CF	DN 40 CF	DN 63 CF	DN 100 CF	DN 160 CF
Set of hex. bolts with duo nuts DN 16 CF	213-421				
Set of hex. bolts with duo nuts DN 40 CF		213-422			
Set of hex. bolts with duo nuts DN 63 CF			213-423		
Set of hex. bolts with duo nuts DN100CF				213-424	
Set of hex. bolts with duo nuts DN160CF					213-425

## SPECIFICATIONS

Type	DN 16 CF	DN 40 CF	DN 63 CF	DN 100 CF	DN 160 CF
Dimension A	20	35	45	50	55
Dimension B	7	10	12	12	12
Dimension C	4	5	8	8	8
Duo nut:	6 x M4/3	6 x M6/3	8 x M8/4	16 x M8/8	20 x M8/10
Tightening torque:	4 Nm	10 Nm	20 Nm	20 Nm	20 Nm
Bolt:	Stainless Steel 316 / 1.4401	Stainless Steel 316 / 1.4401	Stainless Steel 316 / 1.4401	Stainless Steel 316 / 1.4401	Stainless Steel 316 / 1.4401
Washer:	Stainless Steel 304 / 1.4301	Stainless Steel 304 / 1.4301	Stainless Steel 304 / 1.4301	Stainless Steel 304 / 1.4301	Stainless Steel 304 / 1.4301
Nut:	Stainless Steel 316 / 1.4401	Stainless Steel 316 / 1.4401	Stainless Steel 316 / 1.4401	Stainless Steel 316 / 1.4401	Stainless Steel 316 / 1.4401

## DIMENSIONS

---



[www.inficon.com](http://www.inficon.com)    [reachus@inficon.com](mailto:reachus@inficon.com)

Due to our continuing program of product improvements, specifications are subject to change without notice. RateWatcher is a trademark of INFICON. All other trademarks are the property of their respective owners.

(2018-08)    © 2018 INFICON