

# Flange with Tube Stainless Steel 304L

INFICON CF quality fittings are manufactured according to ISO 3669 and the latest TS/ ISO 3669-2 standard. INFICON Ultra high vacuum fittings are designed for applications down to  $1 \times 10^{-12}$  mbar and bakeout temperatures up to 400°C.

## BENEFITS

- World wide logistics
- Design and measures follow strictly international respected standards
- Surface finish, welds, material specifications and cleanliness meet or exceed high specifications
- 2011/65/EU RoHS compliant



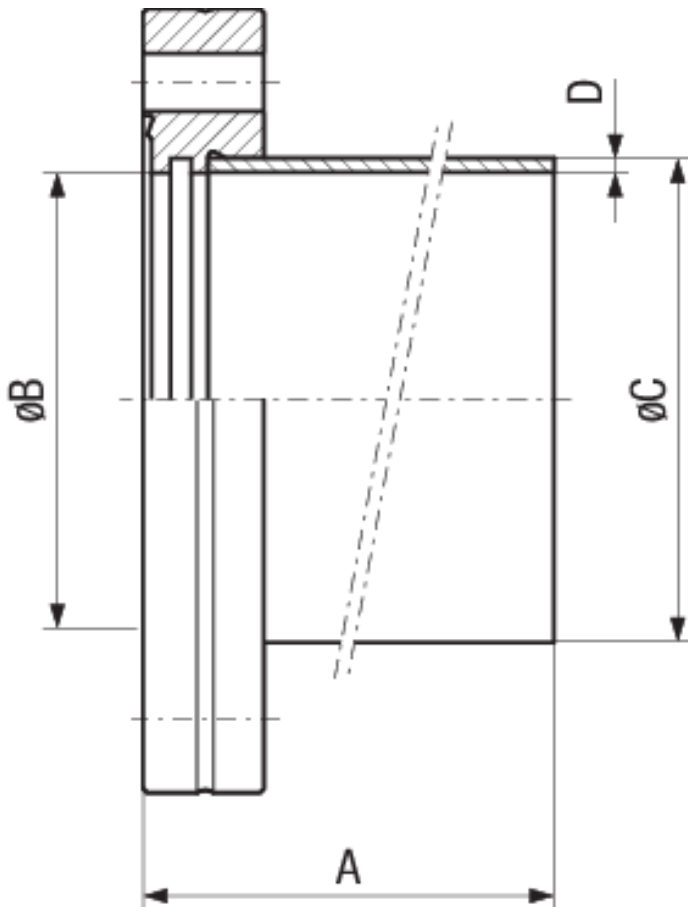
## ORDER INFORMATION

Type	DN 16 CF	DN 40 CF	DN 63 CF	DN 100 CF	DN 160 CF
Flange with pipe socket					213-055
Flange with pipe socket DN 100 CF-F				213-054	
Welding flange with tube	213-051		213-053		
Welding flange with tube DN 40 CF-F		213-052			

## SPECIFICATIONS

Type	DN 16 CF	DN 40 CF	DN 63 CF	DN 100 CF	DN 160 CF
Dimension A	38	63	105	135	167
Dimension B	17.2	39.5	66	104	155
Dimension C	18	40	70	108	159
Dimension D	1	1.6	2	2	2
Material:	Stainless steel 304L / 1.4306	Stainless steel 304L / 1.4306	Stainless steel 304L / 1.4306	Stainless steel 304L / 1.4306	Stainless steel 304L / 1.4306

## DIMENSIONS



[www.inficon.com](http://www.inficon.com) [reachus@inficon.com](mailto:reachus@inficon.com)

Due to our continuing program of product improvements, specifications are subject to change without notice. RateWatcher is a trademark of INFICON. All other trademarks are the property of their respective owners.

(2018-08) © 2018 INFICON