

Double Cross Piece - Stainless Steel 304L

INFICON CF quality fittings are manufactured according to ISO 3669 and the latest TS/ ISO 3669-2 standard. INFICON Ultra high vacuum fittings are designed for applications down to 1×10^{-12} mbar and bakeout temperatures up to 400°C.

BENEFITS

- World wide logistics
- Design and measures follow strictly international respected standards
- Surface finish, welds, material specifications and cleanliness meet or exceed high vacuum specifications
- 2011/65/EU RoHS compliant



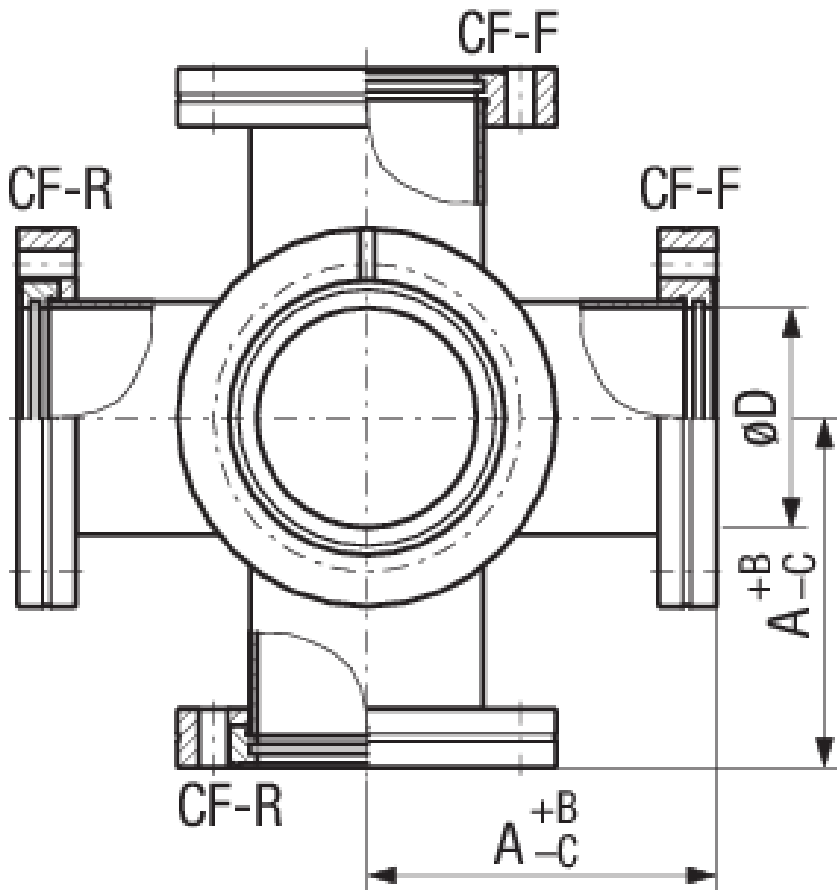
ORDER INFORMATION

Type	DN 40 CF	DN 63 CF	DN 100 CF	DN 160 CF
Double cross-piece DN 100 CF			213-334	
Double cross-piece DN 160 CF				213-335
Double cross-piece DN 40 CF	213-332			
Double cross-piece DN 63 CF		213-333		

SPECIFICATIONS

Type	DN 40 CF	DN 63 CF	DN 100 CF	DN 160 CF
Dimension A	63	105	135	167
Dimension B	0.5	1	1	1.5
Dimension C	0.5	1	1	1.5
Dimension D	38	66	100	150
Material:	Stainless steel 304L / 1.4306	Stainless steel 304L / 1.4306	Stainless steel 304L / 1.4306	Stainless steel 304L / 1.4306
Rotatable flanges:	3	3	3	3
Fix flanges:	3	3	3	3

DIMENSIONS



www.inficon.com reachus@inficon.com

Due to our continuing program of product improvements, specifications are subject to change without notice. RateWatcher is a trademark of INFICON. All other trademarks are the property of their respective owners.

(2018-08) © 2018 INFICON