

# Centering Ring with Filter

---

INFICON ISO-KF fittings are manufactured according to ISO 2861/1, DIN 28403 and Pneurop 6606. Our quality fittings are the standard components for all vacuum and high vacuum applications. The high quality INFICON components are designed and tested for leak rates less than  $1 \times 10^{-9}$  mbar l/s.



## BENEFITS

---

- Competitively priced
- World wide logistics
- Design and measures follow strictly international respected standards
- 2011/65/EU RoHS compliant

## ORDER INFORMATION

---

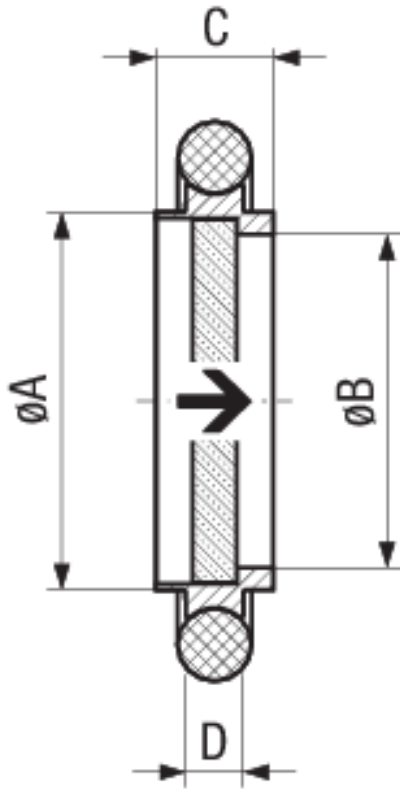
Type	DN 10 ISO-KF	DN 16 ISO-KF	DN 25 ISO-KF	DN 40 ISO-KF	DN 50 ISO-KF
Centering ring with filter DN 10 KF	211-089				
Centering ring with filter DN 16 KF		211-090			
Centering ring with filter DN 25 KF.			211-092		
Centering ring with filter DN 40 KF				211-094	
Centering ring with filter DN 50 KF					211-095

## SPECIFICATIONS

Type	DN 10 ISO-KF	DN 16 ISO-KF	DN 25 ISO-KF	DN 40 ISO-KF	DN 50 ISO-KF
Dimension A	12	17	26	41	52
Dimension B	8	14	23	38	48
Dimension C	8	8	8	8	8
Dimension D	3.9	3.9	3.9	3.9	3.9
Air at 20 C°, 200 mbar differential pressure:	0.5m <sup>3</sup> /h	1.2m <sup>3</sup> /h	4.2m <sup>3</sup> /h	11.3m <sup>3</sup> /h	18.1m <sup>3</sup> /h
Pore size:	0.02mm	0.02mm	0.02mm	0.02mm	0.02mm
Ring:	Stainless Steel 303.1.4305	Stainless Steel 303/1.4305	Stainless Steel 303/1.4305	Stainless Steel 303/1.4305	Stainless Steel 303/1.4305
Filter:	Stainless Steel 316L/1.4404	Stainless Steel 316L/1.4404	Stainless Steel 316L/1.4404	Stainless Steel 316L/1.4404	Stainless Steel 316L/1.4404
Seal:	FPM	FPM	FPM	FPM	FPM

## DIMENSIONS

---



 Recommended gas flow direction



[www.inficon.com](http://www.inficon.com)    [reachus@inficon.com](mailto:reachus@inficon.com)

Due to our continuing program of product improvements, specifications are subject to change without notice.  
RateWatcher is a trademark of INFICON. All other trademarks are the property of their respective owners.

(2016-08)    © 2016 INFICON