

# Blank Flange Rotatable Stainless Steel 304L

INFICON CF quality fittings are manufactured according to ISO 3669 and the latest TS/ ISO 3669-2 standard. INFICON Ultra high vacuum fittings are designed for applications down to  $1 \times 10^{-12}$  mbar and bakeout temperatures up to 400°C.



## BENEFITS

- World wide logistics
- Design and measures follow strictly international respected standards
- Surface finish, welds, material specifications and cleanliness meet or exceed high vacuum specifications
- 2011/65/EU RoHS compliant

## ORDER INFORMATION

Type	DN 16 CF	DN 40 CF	DN 63 CF	DN 100 CF	DN 160 CF	DN 200 CF
Blanking flange rotatable DN 63 CF-R			213-013			
Blanking flange DN 100 CF-R				213-014		
Blanking flange DN 250CF-R						
Blanking flange rotatable	213-011				213-015	
Blanking flange rotatable DN 200 CF-R						213-016
Blanking flange rotatable DN 40 CF-R		213-012				

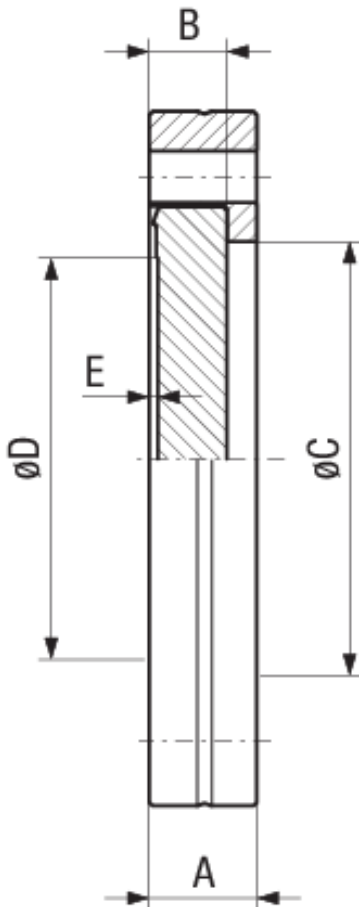
**DN 250 CF**

213-017

## SPECIFICATIONS

Type	DN 16 CF	DN 40 CF	DN 63 CF	DN 100 CF	DN 160 CF	DN 200 CF
Dimension A	7.5	13	17.5	20	22	24.5
Dimension B	5.8	7.6	12.6	14.3	15.8	17.1
Dimension C	18.6	41	71	109	160	206
Dimension D	14	38	66	104	155	205
Dimension E	1.4	1.4	1.4	1.4	1.4	1.4
Material:	Stainless steel 304L / 1.4306	Stainless steel 304L / 1.4306	Stainless steel 304L / 1.4306	Stainless steel 304L / 1.4306	Stainless steel 304L / 1.4306	Stainless steel 304L / 1.4306

## DIMENSIONS



## SPECIFICATIONS

Type	DN 250 CF
Dimension A	24.5
Dimension B	18
Dimension C	257
Dimension D	256
Dimension E	1.4
Material:	Stainless steel 304L / 1.4306



[www.inficon.com](http://www.inficon.com)    [reachus@inficon.com](mailto:reachus@inficon.com)

Due to our continuing program of product improvements, specifications are subject to change without notice.  
RateWatcher is a trademark of INFICON. All other trademarks are the property of their respective owners.

(2018-08)    © 2018 INFICON