

# Bellows

---

INFICON CF quality fittings are manufactured according to ISO 3669 and the latest TS/ ISO 3669-2 standard. INFICON Ultra high vacuum fittings are designed for applications down to  $1 \times 10^{-12}$  mbar and bakeout temperatures up to 400°C.



## BENEFITS

---

- World wide logistics
- Design and measures follow strictly international respected standards
- Surface finish, welds, material specifications and cleanliness meet or exceed high vacuum specifications
- 2011/65/EU RoHS compliant

## ORDER INFORMATION

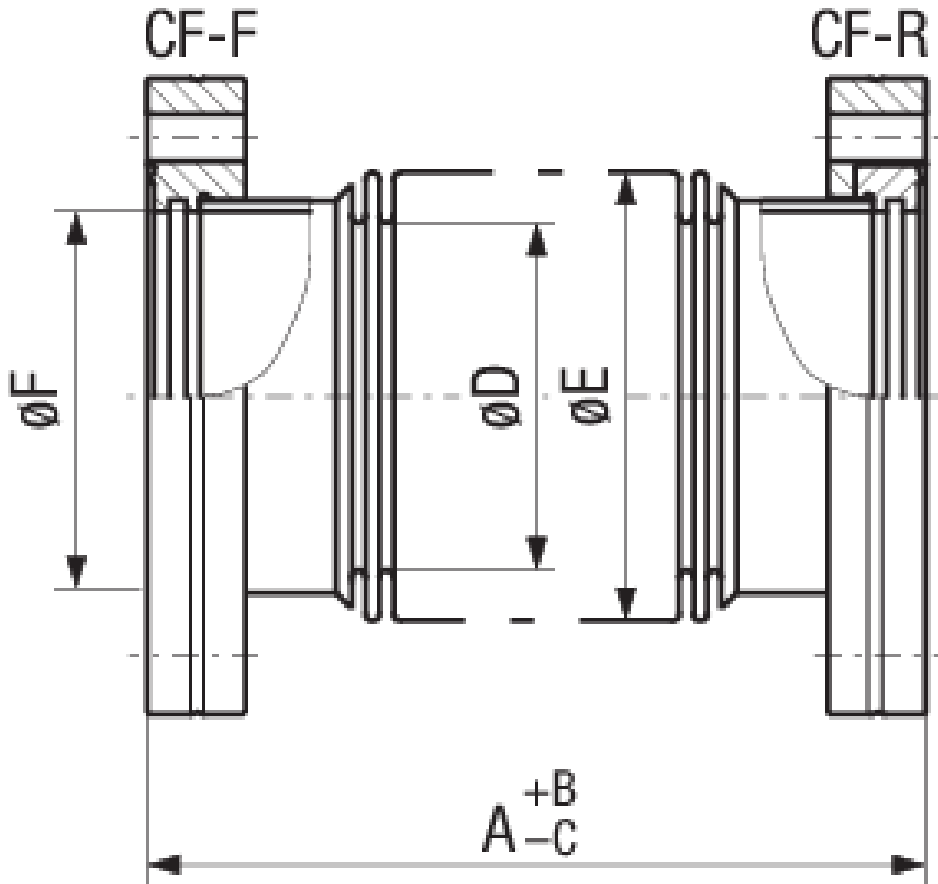
---

Type	DN 16 CF	DN 40 CF	DN 63 CF	DN 100 CF	DN 160 CF
Bellows with flanges			213-353	213-354	213-355
Bellows with flanges DN 16 CF	213-351				
Bellows with flanges DN 40 CF		213-352			

## SPECIFICATIONS

Type	DN 16 CF	DN 40 CF	DN 63 CF	DN 100 CF	DN 160 CF
Dimension A	76	126	139	142	250
Dimension B	1.5	2	2	2	3
Dimension C	1.5	2	2	2	3
Dimension D	15	40	62	92	154
Dimension E	22	55	80	116	187
Dimension F	16	36.8	66	102	153
Dimension G	21°	7.5°	37°	28°	16°
Flanges:	Stainless steel 304L / 1.4306	Stainless steel 304L / 1.4306	Stainless steel 304L / 1.4306	Stainless steel 304L / 1.4306	Stainless steel 304L / 1.4306
Bellows:	Stainless Steel 316 Ti / 1.4571	Stainless Steel 316 Ti / 1.4571	Stainless Steel 316 Ti / 1.4571	Stainless Steel 316 Ti / 1.4571	Stainless Steel 316 Ti / 1.4571
Internal pressure:	4	Max. 4 bar	Max. 1.5 bar	Max. 1.5 bar	Max. 1.5 bar
A=	Unstressed length	Unstressed length	Unstressed length	Unstressed length	Unstressed length

DIMENSIONS



[www.inficon.com](http://www.inficon.com)    [reachus@inficon.com](mailto:reachus@inficon.com)

Due to our continuing program of product improvements, specifications are subject to change without notice.  
RateWatcher is a trademark of INFICON. All other trademarks are the property of their respective owners.

(2018-08)    © 2018 INFICON