

Adaptor ISO-KF / VCR Male

INFICON ISO-KF fittings are manufactured according to ISO 2861/1, DIN 28403 and Pneurop 6606. Our quality fittings are the standard components for all vacuum and high vacuum applications. The high quality INFICON components are designed and tested for leak rates less than 1×10^{-9} mbar l/s.



BENEFITS

- Competitively priced
- World wide logistics
- Design and measures follow strictly international respected standards
- Surface finish, welds, material specifications and cleanliness meet or exceed high vacuum specifications
- 2011/65/EU RoHS compliant

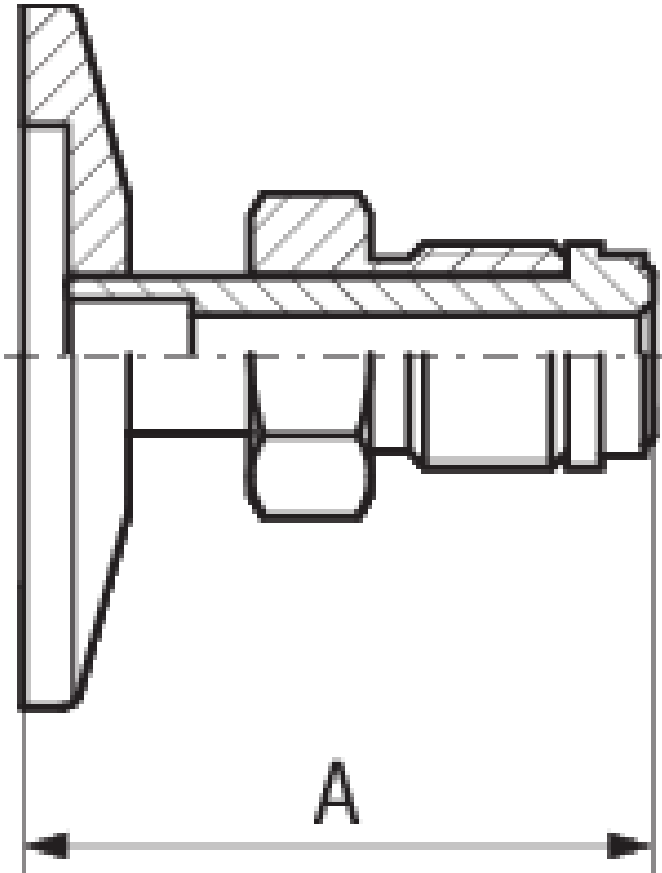
ORDER INFORMATION

Type	DN 16 ISO-KF / 1/4" VCR	DN 25 ISO-KF / 1/4" VCR	DN 25 ISO-KF / 1/2" VCR	DN 40 ISO-KF / 3/4" VCR
Adapter, DN 25 KF to 1/2" VCR-M,SS			211-363	
Transition piece DN16KF - VCR 1/4", male	211-362			
Transition piece DN25KF - VCR 1/4", male		211-481		
Transition piece DN40KF - VCR 3/4", male				211-364

SPECIFICATIONS

Type	DN 16 ISO-KF / 1/4" VCR	DN 25 ISO-KF / 1/4" VCR	DN 25 ISO-KF / 1/2" VCR	DN 40 ISO-KF / 3/4" VCR
Dimension A	35.8	35.8	40.6	53.3
Flange:	Stainless Steel 304 / 1.4301	Stainless Steel 304 / 1.4301	Stainless Steel 304 / 1.4301	Stainless Steel 304 / 1.4301
Nut:	Stainless Steel 316L / 1.4435	Stainless Steel 316L / 1.4435	Stainless Steel 316L / 1.4435	Stainless Steel 316L / 1.4435

DIMENSIONS



www.inficon.com reachus@inficon.com

Due to our continuing program of product improvements, specifications are subject to change without notice. RateWatcher is a trademark of INFICON. All other trademarks are the property of their respective owners.

(2018-08) © 2018 INFICON