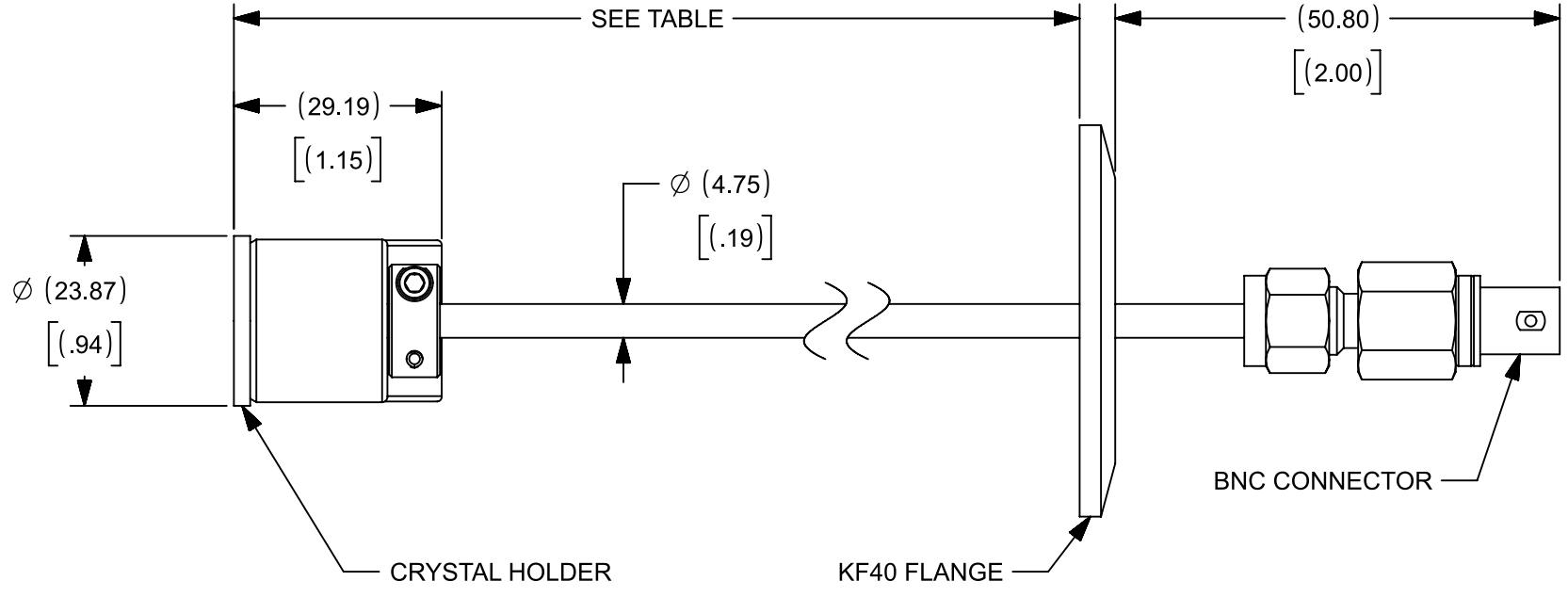


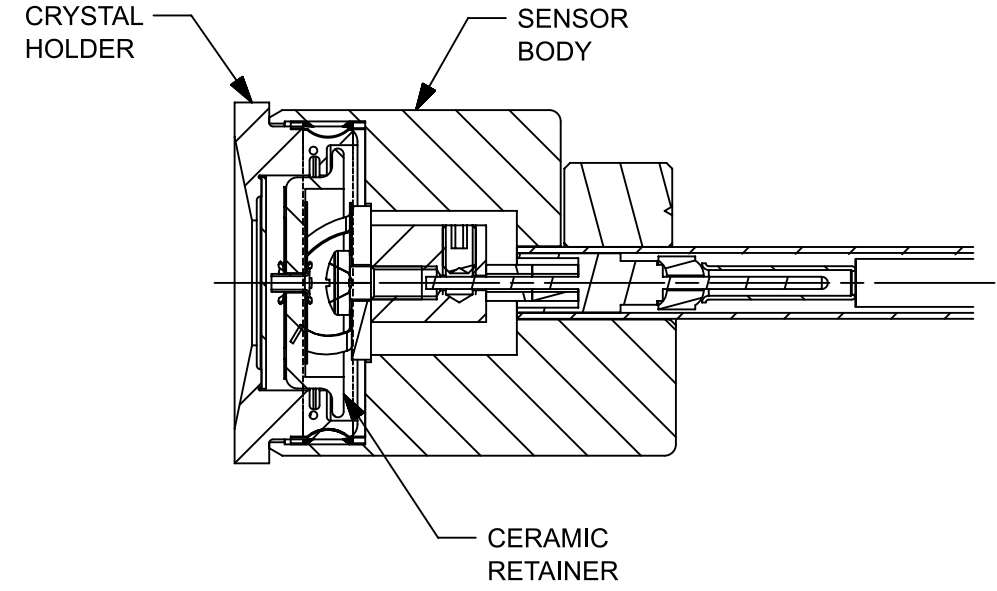
THIS DRAWING CONTAINS PROPRIETARY INFORMATION AND SHALL NOT BE USED OR REPRODUCED WITHOUT WRITTEN AUTHORIZATION FROM INFICON ENGINEERING.

REVISION HISTORY					
REV	ICN	DESCRIPTION	DRAWN BY	CHECKED BY	DATE



# OUTLINE DWG FOR REFERENCE ONLY

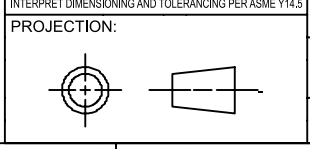
PART NUMBER	LENGTH A REF
750-7000-G5	50
750-7000-G6	60
750-7000-G7	70
750-7000-G8	80
750-7000-G9	90
750-7000-G10	100
750-7000-G11	110
750-7000-G12	120
750-7000-G13	130
750-7000-G14	140
750-7000-G15	150



DIMENSIONS ARE IN MILLIMETERS	
TOLERANCE UNLESS OTHERWISE NOTED:	
X	± 2.5
X.X	± 0.25
X.XX	± 0.13
X.XXX	± 0.01
ANGULAR	± 0.5°

**INFICON** TWO TECHNOLOGY PLACE  
EAST SYRACUSE, NY 13057

TITLE: SEMI QCM SENSOR OUTLINE



SIZE: B	DRAWING NUMBER: OL-750-7000	REVISION: 1
DESIGNED BY:	DATE DRAWN:	SCALE: SHEET: 1 : 1 1 OF 1