

Operating Manual
Incl. EU Declaration of Conformity

Edge[®] CDG045D2
Edge[®] CDG100D2
Capacitance Diaphragm Gauge

Table of Contents

1	General	4
1.1	Product Identification	4
1.2	Validity	4
1.3	Intended Use.....	6
1.4	Function	6
1.5	Trademarks.....	6
1.6	Patents.....	6
1.7	Scope of Delivery.....	7
2	Safety	7
2.1	Symbols Used.....	7
2.2	Personnel Qualifications	8
2.3	General Safety Instructions.....	8
2.4	Liability and Warranty	9
3	Technical Data	9
4	Installation	16
4.1	Vacuum Connection.....	17
4.2	Power Connection.....	20
4.2.1	D-sub, 9-pin Connector.....	21
4.2.2	D-sub, 15-pin Connector.....	22
5	Operation	23
5.1	Status Indication	24
5.2	Adjusting the Gauge	24
5.2.1	<ZERO> Adjustment.....	25
5.2.2	<ZERO> Adjustment with Ramp Function.....	27
5.3	Switching Functions	29
5.3.1	Adjusting the Setpoints.....	29
5.4	Activating the Factory Setting (Factory Reset)	32
5.5	Diagnostic Port (RS232C Interface).....	33
6	Deinstallation	33
6.1	Power Connection.....	34
6.2	Vacuum connection	34
7	Maintenance, Repair	36
8	Returning the Product	37

9 Disposal	37
10 Accessories	38
Literature	39
ETL Certification	40
EU Declaration of Conformity	41
UKCA Declaration of Conformity	42

Symbol for cross-references within this document:

→  XY

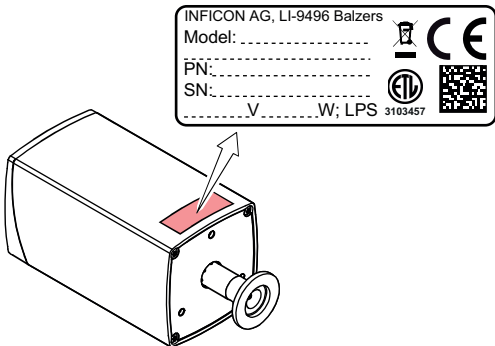
Symbol for references to literature list:

→  [Z]

1 General

1.1 Product Identification

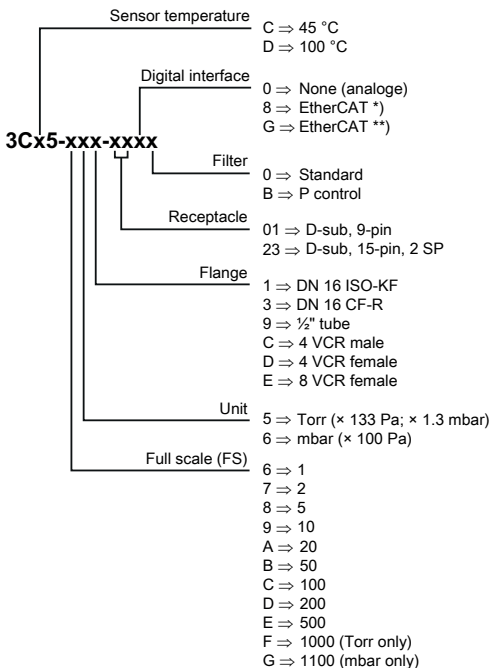
In all communications with INFICON, please specify the information on the product nameplate.



1.2 Validity

This document applies to products of the Edge® CDG045D2 and Edge® CDG100D2 series.

Part numbers of standard products are indicated below. OEM products have other part numbers and different parameter settings (e.g. factory setting of setpoint) as defined in the corresponding ordering information.



*) ETG.5003.2080 S (R) V1.0.0

**) ETG.5003.2080 S (R) V1.3.0

The part number (PN) can be taken from the product nameplate.

If not indicated otherwise in the legends, the illustrations in this document correspond to gauges with D-Sub 15-pin connector and DN 16 ISO-KF vacuum connection. They apply to the other gauges by analogy.

We reserve the right to make technical changes without prior notice.

1.3 Intended Use

The temperature controlled Capacitance Diaphragm Gauges of the Edge® CDG045D2 and Edge® CDG100D2 series are intended for absolute pressure measurement of gases in their respective pressure ranges.

The gauges belong to the Edge® family and can be operated in connection with an INFICON Vacuum Gauge Controller (VGC series) or another appropriate controller.

1.4 Function

A ceramic diaphragm is deflected by pressure. The deflection is measured capacitively and converted into an analog linear output signal by the digital electronics.

The output signal is independent of the gas type.

Very accurate pressure measurement is achieved by heating the sensor to a constant temperature of 45 °C or 100 °C which results in a compensation of changes in the ambient conditions and a reduced deposition of process products and by-products in process applications. An integrated baffle protects the sensor against coating.

1.5 Trademarks

Edge® INFICON Holding AG
VCR® Swagelok Marketing Co.

1.6 Patents

EP 1070239 B1, 1040333 B1
US Patents 6528008, 6591687, 7107855, 7140085

1.7 Scope of Delivery

- 1× Gauge
- 1× Protection shield mounted (CDG100D2 only)
- 1× Pin for adjusting settings via buttons
- 1× Calibration Test Report

2 Safety

2.1 Symbols Used

**DANGER**

Information on preventing any kind of physical injury.

**WARNING**

Information on preventing extensive equipment and environmental damage.

**Caution**

Information on correct handling or use. Disregard can lead to malfunctions or minor equipment damage.

**Notice****<...> Labeling**

2.2 Personnel Qualifications



Skilled personnel

All work described in this document may only be carried out by persons who have suitable technical training and the necessary experience or who have been instructed by the end-user of the product.

2.3 General Safety Instructions

- Adhere to the applicable regulations and take the necessary precautions for the process media used.
Consider possible reactions with the product materials.
- Adhere to the applicable regulations and take the necessary precautions for all work you are going to do and consider the safety instructions in this document.
- Before beginning to work, find out whether any vacuum components are contaminated. Adhere to the relevant regulations and take the necessary precautions when handling contaminated parts.

Communicate the safety instructions to all other users.

2.4 Liability and Warranty

INFICON assumes no liability and the warranty becomes null and void if the end-user or third parties

- disregard the information in this document
- use the product in a non-conforming manner
- make any kind of interventions (modifications, alterations etc.) on the product
- use the product with accessories not listed in the corresponding product documentation.

The end-user assumes the responsibility in conjunction with the process media used.

Gauge failures due to contamination are not covered by the warranty.

3 Technical Data




Further technical data for gauges with serial interface see respective Communication Protocol in the "Literature" chapter.

Measurement range	→ "Validity"
Accuracy ¹⁾	0.15% of reading
Temperature effect on zero	0.0025% FS/ °C
Temperature effect on span	0.02% of reading / °C
Resolution	0.003% FS
Gas type dependence	none

¹⁾ Non-linearity, hysteresis, repeatability in the calibrated range 25 °C ambient operating temperature without temperature effects after operation of 2 h.

Output signal analog (measurement signal)	
Measurement range	0 ... +10 V
Voltage range	-5 ... +10.24 V (limited to +10.24 V)
Voltage vs. pressure	linear
Output impedance	0 Ω (short-circuit proof)
Loaded impedance	>10 k Ω
Response time ²⁾	30 ms
Identification	
Resistance R _{ident}	13.2 k Ω referenced to supply common
Voltage	≤ 5 V
Remote Zero Adjust	digital input for zero adjustment with external switching contact
External switching contact	30 V (dc) / <5 mA (dc)
Puls	>1 s ... <5 s
Switching function	SP1, SP2
Setting range	0 ... 99% FS (0 ... 9.9 V)
Hysteresis	1% FS
Relay contact	30 V (dc) / ≤ 0.5 A (dc) floating (NO)
closed	$p \leq p_{SP}$ (LED on)
open	$p \geq p_{SP}$ (LED off)
Switching time	≤ 50 ms

²⁾ Increase 10 ... 90% FS.

Status relay	
Relay contact	30 V (dc) / ≤ 0.5 A (dc) connected to supply common (pin 5)
closed	measurement mode, warning
open	no supply voltage, warming up, error
RS232C interface	
Transmission rate	9600 Baud
Data format	binary, 8 data bits, one stop bit, no parity bit, no handshake
For further information on the RS232C interface →  [5]	
Diagnostic port, connection	Jack connector, 2.5 mm, 3-pin

Supply



DANGER

The gauge may only be connected to power supplies, instruments or control devices that conform to the requirements of a grounded protective extra-low voltage (PELV) and limited power source (LPS), Class 2.

- The connection to the gauge has to be fused ³⁾.

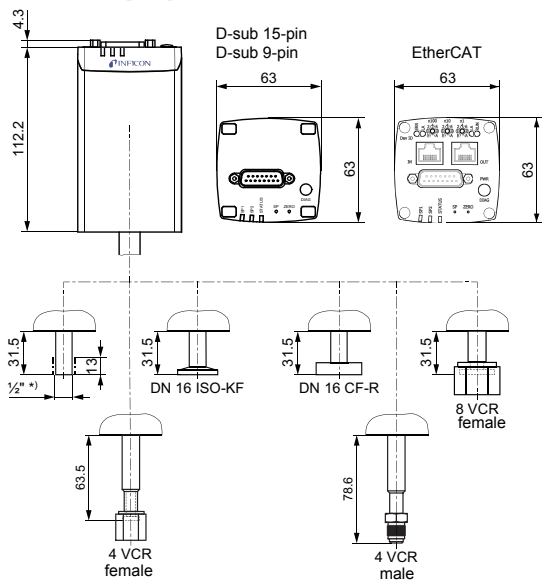
Supply voltage at the gauge	Class 2 / LPS +14 ... +30 V (dc) or ± 15 V ($\pm 5\%$)
Ripple	≤ 1 V _{pp}

³⁾ INFICON controllers fulfill these requirements.

Power consumption CDG045D2 without fieldbus	
while being heated	≤15 W
at operating temperature	≤10 W
with fieldbus	
while being heated	≤16.5 W
at operating temperature	≤11.5 W
Power consumption CDG100D2 without fieldbus	
while being heated	≤20 W
at operating temperature	≤14 W
with fieldbus	
while being heated	≤21.5 W
at operating temperature	≤15.5 W
Fuse to be connected ³⁾	1.6 AT
The gauge is protected against reverse polarity of the supply voltage and overload.	
Receptacle	
3Cx5-xxx- 01 xx	D-sub 9-pin, male
3Cx5-xxx- 23 xx	D-sub 15-pin, male
Sensor cable for	
3Cx5-xxx- 01 xx	6-pin plus shielding
3Cx5-xxx- 23 xx	15-pin plus shielding
Cable length	
Supply voltage 15 V	≤4 m (0.14 mm ² /conductor), ≤7 m (0.25 mm ² /conductor)
Supply voltage 24 V	≤20 m (0.14 mm ² /conductor), ≤35 m (0.25 mm ² /conductor)
Supply voltage 30 V	≤40 m (0.14 mm ² /conductor), ≤70 m (0.25 mm ² /conductor)

For longer cables, larger conductor cross-sections are required ($R_{\text{cable}} \leq 1.0 \Omega$).	
Grounding concept	→ "Power Connection"
Materials exposed to vacuum	ceramics ($\text{Al}_2\text{O}_3 \geq 99.5\%$), stainless steel AISI 316L
Temperature sensor cell (CDG045D2)	48 °C
Internal volume	$\leq 6.8 \text{ cm}^3$
Leak rate	$< 1 \times 10^{-9} \text{ mbar l/s}$
Admissible pressure (absolute)	
200 ... 1100 Torr/mbar (FS)	4 bar
1 ... 100 Torr/mbar (FS)	2.6 bar
Bursting pressure (absolute)	6 bar
Admissible temperature	
Storage	-40 °C ... +65 °C
Operation	
CDG045D2	+10 °C ... +40 °C
CDG100D2	+10 °C ... +50 °C
Bakeout	$\leq 110 \text{ °C}$ at the flange
Relative humidity	$\leq 80\%$ at temperatures $\leq +31 \text{ °C}$, decreasing to 50% at +40 °C
Use	indoors only, altitude up to 2000 m NN
Pollution degree	2
Degree of protection	IP40
Weight	
CDG045D2	540 g ... 610 g
CDG100D2	552 g ... 622 g

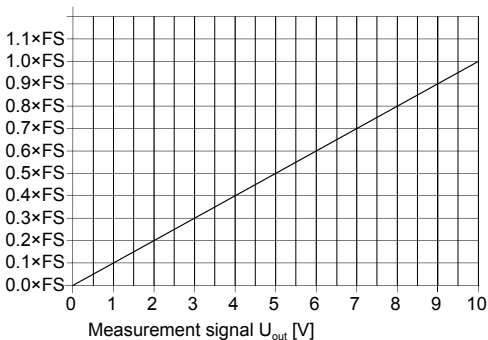
Dimensions [mm]



*) outer diameter

Analog Measurement Signal vs. Pressure

Pressure p



$$p = (U_{out} / 10 \text{ V}) \times p(\text{FS})$$

Conversion Torr \leftrightarrow Pascal

Torr	mbar ⁴⁾	Pa ⁴⁾
1:00	$1013.25 / 760 =$ 1.3332...	$101325 / 760 =$ 133.3224...

Example: Gauge with 10 Torr FS
Measurement signal $U_{out} = 6 \text{ V}$

$$\begin{aligned} p &= (6 \text{ V} / 10 \text{ V}) \times 10 \text{ Torr} \\ &= 0.6 \times 10 \text{ Torr} = \mathbf{6 \text{ Torr}} \end{aligned}$$

⁴⁾ Source: NPL (National Physical Laboratory)
Guide to the Measurement of Pressure and Vacuum, ISBN 0904457x / 1998

4 Installation



WARNING

Fragile components

The ceramic sensor may be damaged by impacts.

- Do not drop the product and prevent shocks and impacts.



DANGER

Hot surface (CDG100D2 only and at operation temperatures $>40\text{ }^{\circ}\text{C}$).

Touching the hot surface ($>65\text{ }^{\circ}\text{C}$) can cause burns.

- Protect hot parts to prevent accidental contact and mount warning signs.



DANGER

Leaking process media

High-intensity mechanical, chemical or thermal impacts can cause leaks in the measuring sensor. Process media can thus leak and possibly cause hazards, if overpressure is in the vacuum system.

- Avoid high-intensity mechanical, chemical or thermal impacts and overpressure in the vacuum system.
- Take appropriate measures (e.g. shut off gas supply, extraction, leak test) to avoid hazards or damage due to leaking process media.

4.1 Vacuum Connection



DANGER

Overpressure in the vacuum system >1 bar

Injury caused by released parts and harm caused by escaping process gases can result if clamps are opened while the vacuum system is pressurized.

- Do not open any clamps while the vacuum system is pressurized. Use the type of clamps which are suited to overpressure.



DANGER

Overpressure in the vacuum system >2.5 bar

KF flange connections with elastomer seals (e.g. O-rings) cannot withstand such pressures. Process media can thus leak and possibly damage your health.

- Use O-rings provided with an outer centering ring.



DANGER

Protective ground

Products that are not correctly connected to ground can be extremely hazardous in the event of a fault. The gauge must be electrically connected to the grounded vacuum chamber. This connection must conform to the requirements of a protective connection according to EN 61010:

- CF and VCR connections fulfill this requirement.
- For gauges with a KF vacuum connection, use a conductive metallic clamping ring.
- For gauges with a 1/2" tube, take appropriate measures to fulfill this requirement.

**Caution**

Vacuum component

Dirt and damages impair the function of the vacuum component.

- When handling vacuum components, take appropriate measures to ensure cleanliness and prevent damages.

**Caution**

Dirt sensitive area

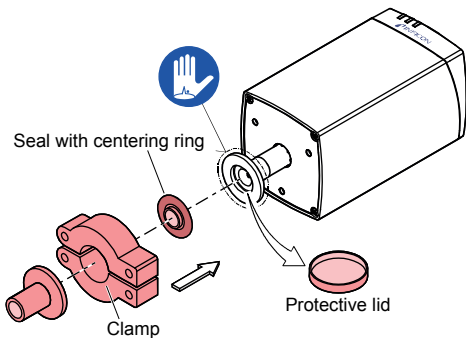
Touching the product or parts thereof with bare hands increases the desorption rate.

- Always wear clean, lint-free gloves and use clean tools when working in this area.



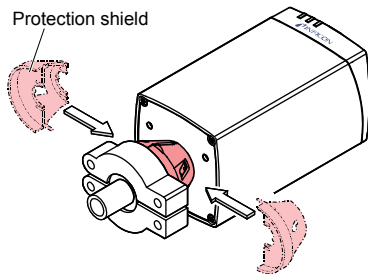
Mount the gauge so that no vibrations occur. The gauge may be mounted in any orientation. To keep condensates and particles from getting into the measuring chamber preferably choose a horizontal to upright position. If adjustment should be possible after the gauge has been installed, be sure to install it so that the buttons can be accessed with a pin.

- 1 Remove the protective lid and connect the product to the vacuum system.



Keep the protective lid.

- 2 Mount the protection shield (CDG100D2 only).



4.2 Power Connection



Make sure the vacuum connection is properly made.



DANGER

The gauge may only be connected to power supplies, instruments or control devices that conform to the requirements of a grounded protective extra-low voltage (PELV) and limited power source (LPS), Class 2.

- The connection to the gauge has to be fused ⁵⁾.



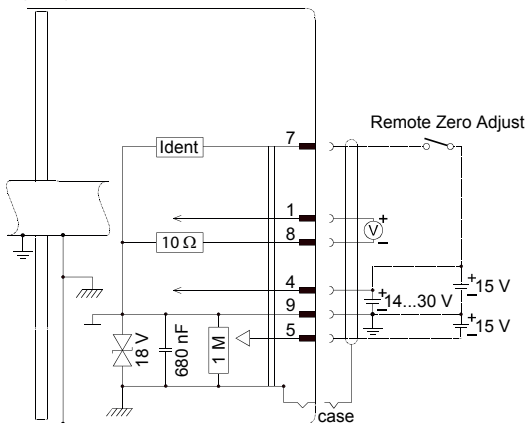
Ground loops, differences of potential, or EMC problems may affect the measurement signal. For optimum signal quality, please do observe the following notes:

- Use an overall metal braided shielded cable. The connector must have a metal case.
- Connect the cable shield to ground at one side via the connector case. Make sure the connector case has direct contact to the cable's shield on its whole circumference. Do not connect the other side of the shield.
- Connect the supply common with protective ground directly at the power.
- Use differential measurement input (signal common and supply common conducted separately).
- Potential difference between supply common and housing ≤ 18 V (overvoltage protection).

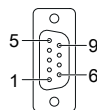
⁵⁾ INFICON controllers fulfill these requirements.

4.2.1 D-sub, 9-pin Connector

If no sensor cable is available, make one according to the following diagram. Connect the sensor cable.



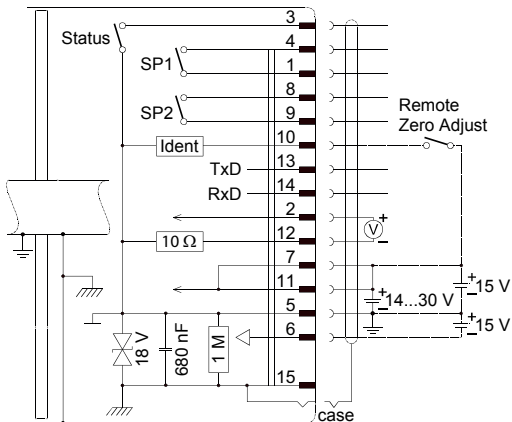
Pin 1	Signal output (measurement signal)
Pin 2	n.c.
Pin 3	n.c.
Pin 4	Supply (+14...+30 V or +15 V)
Pin 5	Supply (-15 V)
Pin 6	n.c.
Pin 7	Gauge identification or Remote Zero Adjust
Pin 8	Signal common
Pin 9	Supply common
case	Connector case



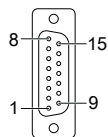
D-sub, 9-pin
female
soldering side

4.2.2 D-sub, 15-pin Connector

If no sensor cable is available, make one according to the following diagram. Connect the sensor cable.



Pin 1, 4	Relay SP1, closing contact
Pin 2	Signal output (measurement signal) or thresholds SP1/2
Pin 3	Status
Pin 5	Supply common
Pin 6	Supply (-15 V)
Pin 7, 11	Supply (+14...+30 V or +15 V)
Pin 8, 9	Relay SP2, closing contact
Pin 10	Gauge identification or Remote Zero Adjust
Pin 12	Signal common
Pin 13	RS232, TxD
Pin 14	RS232, RxD
Pin 15	Housing (Chassis Ground)
case	Connector case



D-sub, 15-pin female soldering side

5 Operation

Put the gauge into operation. If you are using an INFICON controller (VGC032 or VGC40x series), define the measurement range.

Warm-up time

• for general purpose reading (within specifications)	30 minutes *) 1 hour **)
• for precision measurement and zero adjustment	2 hours

*) Gauges CDG045D2

***) Gauges CDG100D2



If the gauge is used for fast downstream pressure control we recommend setting its signal filter to "fast".

- The filter can be set via the RS232C interface or the diagnostic port.



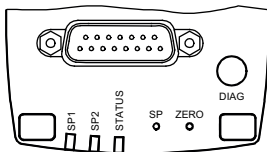
DANGER

Hot surface (CDG100D2 only and at operation temperatures >40 °C).

Touching the hot surface (>65 °C) can cause burns.

- Don't touch the hot surface or wear protective gloves.

5.1 Status Indication



LED	LED status	Meaning
<STATUS>	off lit solid green blinking green short blinks long blinks lit solid red	no supply voltage measurement mode warning, over/underrange warning up error
<SP1>	lit green blinking green off	$p \leq$ setpoint 1 waiting for setpoint 1 input $p >$ setpoint 1
<SP2>	lit solid green blinking green off	$p \leq$ setpoint 2 waiting for setpoint 2 input $p >$ setpoint 2

5.2 Adjusting the Gauge

The gauge is factory calibrated while "standing upright" (→ "Calibration Test Report").



We recommend performing a zero adjustment, when the gauge is operated for the first time.

Due to long time operation or contamination, a zero drift could occur and zero adjustment may become necessary.

For adjusting the zero, operate the gauge under the same constant ambient conditions and in the same mounting orientation as normally.



If the gauge is operated via a controller, the zero of the whole measuring system has to be adjusted on the controller:

- First, adjust the zero of the gauge and then, the zero of the controller.

5.2.1 <ZERO> Adjustment



The zero can be adjusted via

- the <ZERO> button on the gauge
- the diagnostic port
- the digital input "Remote Zero": Apply the supply voltage to pin 10 (15-pin) or to pin 7 (9-pin), pulse >1 s ... <5 s
- the RS232C interface
- an INFICON Vacuum Gauge Controller (VGC series)



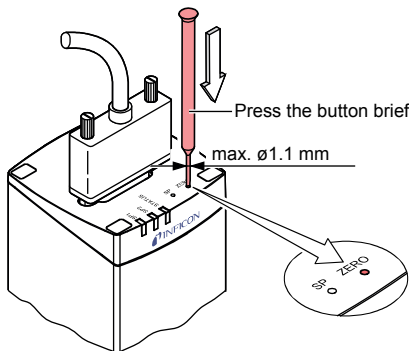
While the gauge is being heated and/or under atmospheric pressure, the zeroing function is locked in order for operating errors to be prevented.

- 1 Evacuate the gauge to a pressure according to the table below:

FS	Recommended final pressure for zero adjustment		
	[Torr]	[Pa]	[mbar]
1100 mbar	-	$<7 \times 10^0$	$<7 \times 10^{-2}$
1000 Torr	$<5 \times 10^{-2}$	$<7 \times 10^0$	-
500 Torr/mbar	$<3 \times 10^{-2}$	$<4 \times 10^0$	$<4 \times 10^{-2}$
200 Torr/mbar	$<1 \times 10^{-2}$	$<2 \times 10^0$	$<2 \times 10^{-2}$
100 Torr/mbar	$<5 \times 10^{-3}$	$<7 \times 10^{-1}$	$<7 \times 10^{-3}$
50 Torr/mbar	$<3 \times 10^{-3}$	$<4 \times 10^{-1}$	$<4 \times 10^{-3}$
20 Torr/mbar	$<1 \times 10^{-3}$	$<2 \times 10^{-1}$	$<2 \times 10^{-3}$
10 Torr/mbar	$<5 \times 10^{-4}$	$<7 \times 10^{-2}$	$<7 \times 10^{-4}$
5 Torr/mbar	$<3 \times 10^{-4}$	$<4 \times 10^{-2}$	$<4 \times 10^{-4}$
2 Torr/mbar	$<1 \times 10^{-4}$	$<2 \times 10^{-2}$	$<2 \times 10^{-4}$
1 Torr/mbar	$<5 \times 10^{-5}$	$<7 \times 10^{-3}$	$<7 \times 10^{-5}$

If the final pressure is too high for zero adjustment ($>25\%$ of the FS), the zero cannot be reached and the <STATUS> LED blinks green. If this is the case, activate the factory setting and adjust the zero again (\rightarrow 32).

- Operate the gauge for at least 2 hours under constant ambient conditions (until the signal is stable).
- Briefly press the <ZERO> button with a pin (max. $\varnothing 1.1$ mm), or ...



... apply supply voltage to Remote Zero at pin 10 (15-pin) or at pin 7 (9-pin) (pulse >1 s ... <5 s).

The zero adjustment runs automatically. The <STATUS> indicator flashes until the adjustment (duration ≤ 8 s) is completed.



After zero adjustment, the gauge automatically returns to the measurement mode.

The <STATUS> LED blinks green if

- the signal output is negative (< -20 mV) when the final pressure has been attained
- the zero adjustment has failed.

5.2.2 <ZERO> Adjustment with Ramp Function

The ramp function allows to adjust the zero at a known reference pressure within the measurement range of the gauge.

It also permits to adjust an offset of the characteristic curve in order to

- compensate for the offset of the measuring system or
- obtain a slightly positive zero for a 0 ... 10 V AD converter.

The offset should not exceed 2% of the FS (+200 mV). At a higher positive offset, the upper limit of the measurement range is exceeded.



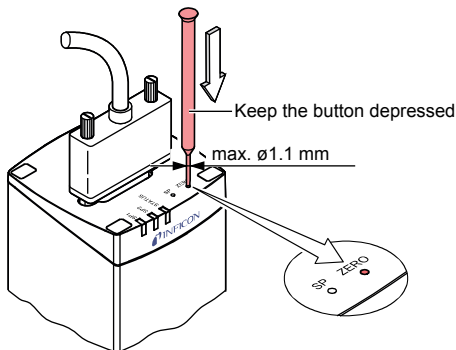
Zero adjustment using the ramp function can be performed via

- the <ZERO> button on the gauge
- the diagnostic port
- the RS232C interface



Recommended procedure for adjusting the offset of a measuring system: Notice → 25.

- 1 Operate the gauge for at least 2 hours under constant ambient conditions (until the signal is stable).
- 2 Push the <ZERO> button with a pin (max. $\varnothing 1.1$ mm) and keep it depressed. The <STATUS> LED starts blinking. After 5 s, the zero adjustment value, starting at the current output value, keeps continually changing (ramp) until the button is released or until the setting limit (max. 25% FS) is reached. The corresponding output signal is delayed by about 1 s.



- Change of direction (inverse ramp): Release the button. Press and keep it depressed again within 3..5 s (the flashing frequency of the <STATUS> indicator changes briefly).
- Fine adjustment of the zero adjustment value: Release the button. Briefly press it again within 3 s. The value changes by one unit (push <ZERO> button in intervals of 1 s).



If the <ZERO> button is released for more than 5 s, the gauge returns to the measurement mode.

The <STATUS> LED blinks green if the signal output is negative (< -20 mV).

5.3 Switching Functions

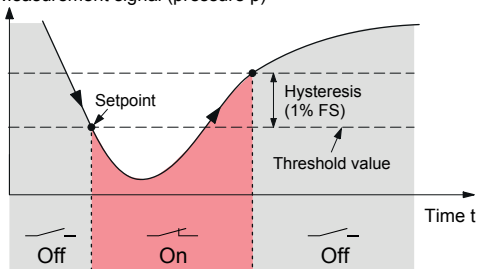
The two setpoints can be set to any pressure within the measurement range of the gauge.

The current setpoint setting

- can be read/written via the diagnostic port
- is output at the D-sub connector instead of the measurement signal and can be measured with a voltmeter after the <SP> button is pressed
- can be read/written via the RS232C interface.

If the pressure in the vacuum system is lower than the setpoint, the corresponding LED (<SP1> or <SP2>) is lit solid and the corresponding relay is energized.

Measurement signal (pressure p)



5.3.1 Adjusting the Setpoints



The setpoints can be adjusted via

- the buttons on the gauge
- the diagnostic port
- the RS232C interface

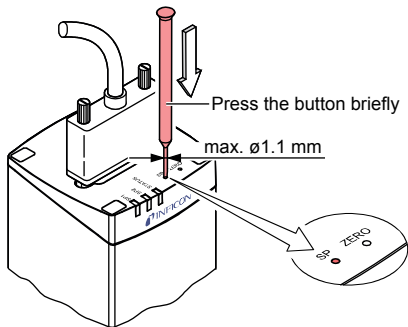
**DANGER****Malfunction**

If processes are controlled via the signal output, keep in mind that by pushing the <SP> button the measurement signal is suppressed and the corresponding threshold value is output instead. This can cause malfunctions.

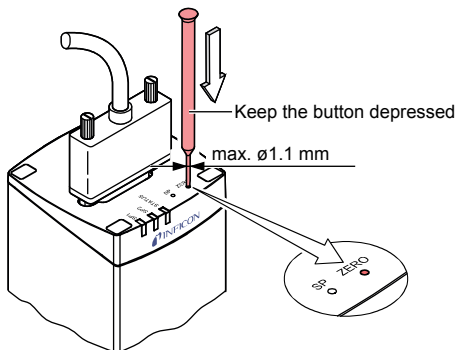
- Push the <SP> button only if you are sure that no malfunction will cause.

Adjusting Setpoint <SP1>

- 1 Push the <SP> button with a pin (max. $\varnothing 1.1$ mm). The gauge changes to the switching function mode and outputs the current threshold value at the measurement signal output for about 10 s (LED <SP1> blinks).



- 2 For changing the threshold value, push the <ZERO> button and keep it depressed. The threshold keeps changing from the current value (ramp) until the button is released or until the limit of the setting range is reached.



- Change of direction (inverse ramp): Release the button. Press and keep it depressed again within 3...5 s (the flashing frequency of the <STATUS> indicator changes briefly).
- Fine adjustment of the zero adjustment value: Release the button. Briefly press it again within 3 s. The value changes by one unit (push <ZERO> button in intervals of 1 s).



If the <ZERO> button is released for more than 5 s, the gauge returns to the measurement mode.



The upper threshold is automatically set 1% FS above the lower one (hysteresis).

Adjusting Setpoint <SP2>

Push the <SP> button twice (the LED <SP2> blinks). The adjustment procedure is the same as for setpoint <SP1>.

5.4 Activating the Factory Setting (Factory Reset)

All user defined parameters (e.g. zero, filter) are restored to their default values.



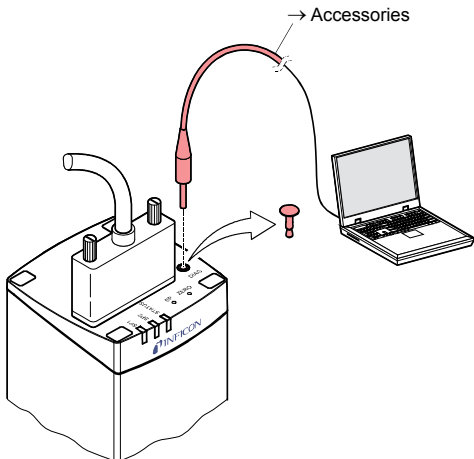
Loading of the default parameters is irreversible.

Loading the default parameters:

- 1 Put the gauge out of operation.
- 2 Keep the <ZERO> button depressed for at least 5 s while the gauge is being put into operation (Power ON).

5.5 Diagnostic Port (RS232C Interface)

The diagnostic port <DIAG> permits to output the pressure reading and all status information and to enter all settings at the same time (tira49d1).



6 Deinstallation

Preconditions:

- Vacuum system vented
- Vacuum system cooled to <math><50\text{ }^{\circ}\text{C}</math>

6.1 Power Connection

- 1 Put the gauge out of operation.
- 2 Unfasten the lock screws and disconnect the sensor cable.

6.2 Vacuum connection



DANGER

Hot surface

Touching the hot surface (>65 °C) can cause burns.

- Put the product out of operation and allow it to cool down.



WARNING

Fragile components

The ceramic sensor may be damaged by impacts.

- Do not drop the product and prevent shocks and impacts.



DANGER

Contaminated parts

Contaminated parts can be detrimental to health and environment.

- Before beginning to work, find out whether any parts are contaminated. Adhere to the relevant regulations and take the necessary precautions when handling contaminated parts.

**Caution**

Vacuum component

Dirt and damages impair the function of the vacuum component.

- When handling vacuum components, take appropriate measures to ensure cleanliness and prevent damages.

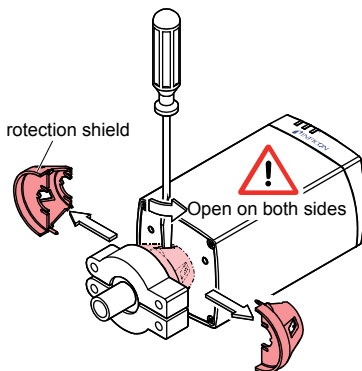
**Caution**

Dirt sensitive area

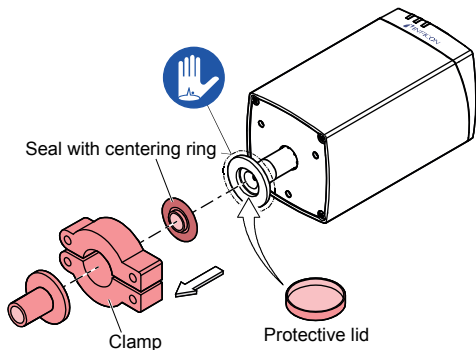
Touching the product or parts thereof with bare hands increases the desorption rate.

- Always wear clean, lint-free gloves and use clean tools when working in this area.

- 1 Remove the protection shield (CDG100D2 only).



- 2 Remove the gauge from the vacuum system and install the protective lid.



7 Maintenance, Repair

Under clean operating conditions, the product requires no maintenance.



Gauge failures due to contamination are not covered by the warranty.

- We recommend checking the zero at regular intervals.

INFICON assumes no liability and the warranty becomes null and void if any repair work is carried out by the end-user or third parties.

8 Returning the Product



WARNING

Forwarding contaminated products

Contaminated products (e.g. radioactive, toxic, caustic or biological hazard) can be detrimental to health and environment.

- Products returned should preferably be free of harmful substances. Adhere to the forwarding regulations of all involved countries and forwarding companies. Enclose a duly completed declaration of contamination (form under www.inficon.com).

Products that are not clearly declared as "free of harmful substances" are decontaminated at the expense of the customer.

Products not accompanied by a duly completed declaration of contamination are returned to the sender at his own expense.

9 Disposal



DANGER

Contaminated parts

Contaminated parts can be detrimental to health and environment.

- Before beginning to work, find out whether any parts are contaminated. Adhere to the relevant regulations and take the necessary precautions when handling contaminated parts.

**WARNING**

Substances detrimental to the environment
Products or parts thereof (mechanical and electric components, operating fluids etc.) can be detrimental to the environment.

- Dispose of such substances in accordance with the relevant local regulations.

Separating the components

After disassembling the product, separate its components according to the following criteria:


- Contaminated components
Contaminated components (radioactive, toxic, caustic or biological hazard etc.) must be decontaminated in accordance with the relevant national regulations, separated according to their materials, and disposed of.
- Other components
Such components must be separated according to their materials and recycled.


10 Accessories


	Ordering No.
Diagnostic cable RS232C; 9p-Dsub - phone jack 2.5 mm (2 m) ⁶⁾	303-333
Diagnostic cable RS232C; USB-A - phone jack 2.5 mm (1.8 m) ⁶⁾	303-366


⁶⁾ Diagnostic SW available upon request.


Literature


-  [1] Operating Manual
Vacuum Gauge Controller VGC032
tinb02e1
INFICON AG, LI-9496 Balzers, Liechtenstein


-  [2] Operating Manual
Single-Channel Controller VGC401
tinb01e1
INFICON AG, LI-9496 Balzers, Liechtenstein

-  [3] Operating Manual
Two- & Three-Channel Measurement and Control Unit
VGC402, VGC403
tinb07e1
INFICON AG, LI-9496 Balzers, Liechtenstein

-  [4] Operating Manual
Single-, Two- & Three-Channel Measurement and Control Unit
VGC501, VGC502, VGC503
tina96e1
INFICON AG, LI-9496 Balzers, Liechtenstein

-  [5] Communication Protocol
RS232C Edge® CDG045D2, Edge® CDG100D2
tira49e1
INFICON AG, LI-9496 Balzers, Liechtenstein

-  [6] Communication Protocol
EtherCAT® Edge® CDG045D2, Edge® CDG100D2
(ETG.5003.2080 S (R) V1.0.0)
tira68e1
INFICON AG, LI-9496 Balzers, Liechtenstein

-  [7] Communication Protocol
EtherCAT® Edge® CDG045D2, Edge® CDG100D2
(ETG.5003.2080 S (R) V1.3.0)
tirb45e1
INFICON AG, LI-9496 Balzers, Liechtenstein

ETL Certification

RECOGNIZED
COMPONENT



Intertek
3103457

ETL LISTED

The products CDG045D2 and CDG100D2

- conform to the UL Standard UL 61010-1
- are certified to the CAN/CSA Standard C22.2#61010-1-12

CE EU Declaration of Conformity

Manufacturer: INFICON AG, Alte Landstraße 6, LI-9496 Balzers

This declaration of conformity is issued under the sole responsibility of the manufacturer.

Products: Edge® CDG045D2, Edge® CDG100D2

The products of the declaration described above are in conformity with following Union harmonization legislation:

- 2014/30/EU, OJ L 96/79, 29.3.2014
(EMC Directive; Directive relating to electromagnetic compatibility)
- 2011/65/EU, OJ L 174/88, 1.7.2011
(RoHS Directive; Directive on the restriction of the use of certain hazardous substances in electrical and electronic equipment)

Harmonized and international/national standards and specifications:

- EN 61010-1:2010 + A1:2019 + A1:2019/AC:2019
(Safety requirements for electrical equipment for measurement, control and laboratory use)
- EN 61326-1:2013; Group 1, Class B
(EMC requirements for electrical equipment for measurement, control and laboratory use)

Signed for and on behalf of: INFICON AG, Alte Landstraße 6, LI-9496 Balzers

Balzers, 2024-10-31



William Opie
Managing Director

Balzers, 2024-10-31



Paolo De Filippo
Product Manager

**UK
CA** **UKCA Declaration of Conformity**

Manufacturer: INFICON AG, Alte Landstraße 6, LI-9496 Balzers

This declaration of conformity is issued under the sole responsibility of the manufacturer.

Products: Edge® CDG045D2, Edge® CDG100D2

The products of the declaration described above are in conformity with the relevant UK Statutory Instruments:

- S.I. 2016/1091, 11.2016
(Regulation relating to electromagnetic compatibility 2016)
- S.I. 2012/3032, 12.2012
(Regulation on the restriction of the use of certain hazardous substances in electrical and electronic equipment 2012)

Harmonized and international/national standards and specifications:

- EN 61010-1:2010 + A1:2019 + A1:2019/AC:2019
(Safety requirements for electrical equipment for measurement, control and laboratory use)
- EN 61326-1:2013; Group 1, Class B
(EMC requirements for electrical equipment for measurement, control and laboratory use)

Signed for and on behalf of: INFICON AG, Alte Landstraße 6, LI-9496 Balzers

Balzers, 2024-10-31



William Opie
Managing Director

Balzers, 2024-10-31



Paolo De Filippo
Product Manager

Notes



LI-9496 Balzers
Liechtenstein
Tel +423 / 388 3111
reachus@inficon.com
www.inficon.com

Original: German tina86d1-d (2024-11)



TINA86E1-D