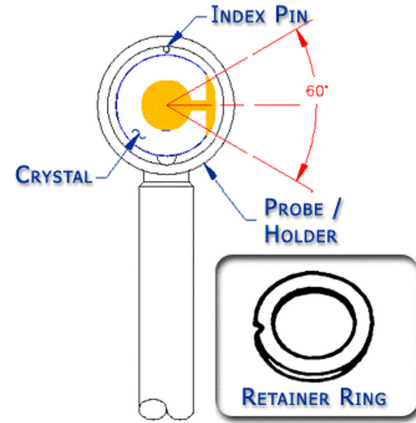
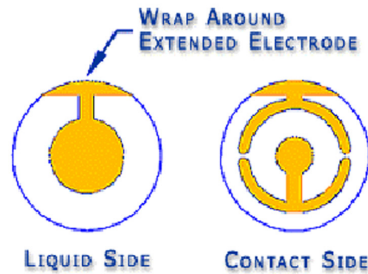
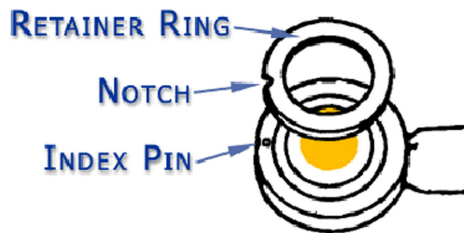


How to Install a Crystal in a Crystal Holder or Plating Probe

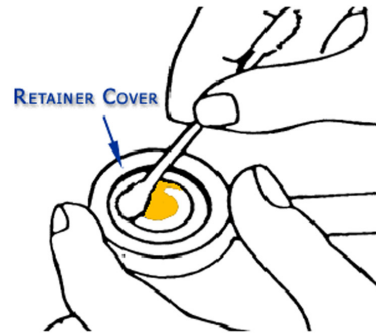


1 Identify the Liquid (Front) and Contact (Back) Sides of the crystal.

2 Clean & Dry the Probe / Holder cavity, then insert the Crystal with the Liquid (Front) Side exposed. The "Wrap Around" MUST be in the 60° region as shown.



3 Place the Retainer Ring over the Crystal, with the Notch mating to the Index Pin.



4 Mount and turn the Retainer Cover approximately ¼ turn. Then with a gloved-finger or cotton swab *gently* press the Retainer Ring down at the Notch to make sure that it stays mated to the Index Pin. Finish tightening the Cover until it's snug.

Applies to CHC-100, CHK-100, CHT-100, KPS-550, MPS-550 and TPS-550 based products.



www.inficon.com reachus@inficon.com