

Porter® CDG020D Vacuum Gauge

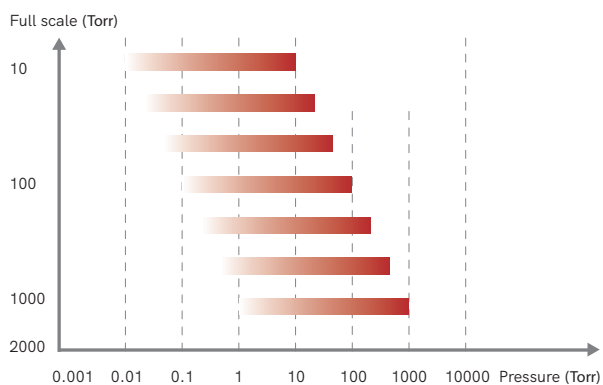
Big performance - small size
The cost effective solution for
precise measurement.



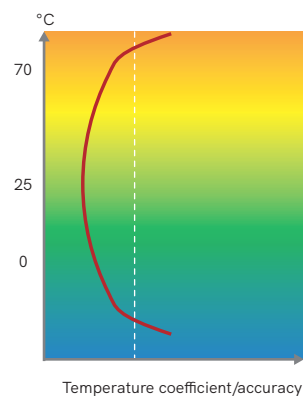
 **INFICON**
Inspired by visions. Proven by success.



Measurement ranges



Temperature coefficient



In-situ architecture
Assures an excellent temperature stability of zero and span.

Porter[®] CDG020D vacuum gauge

The INFICON Porter[®] CDG020D Capacitance Diaphragm Gauge is designed for stable long time performance in industrial environments. The ceramic sensor provides excellent span stability over many years paired with outstanding zero stability. An in-situ sensor architecture guarantees a short and long term temperature stability.

Our Porter[®] vacuum gauge comes with fully digital electronics and defines flexibility in integration in a humble, reliable, always available and never overpaid way.

TYPICAL APPLICATIONS

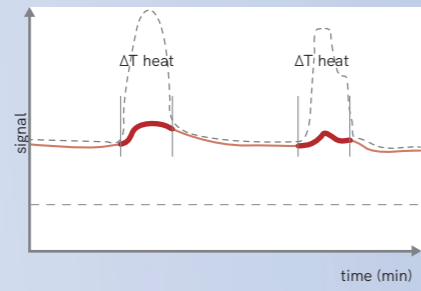
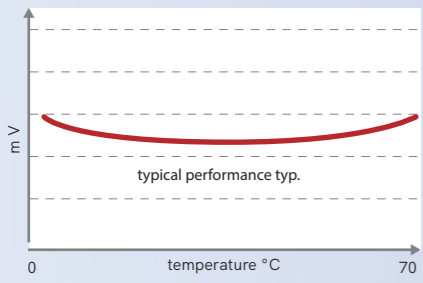
- Pressure monitoring
- Vacuum coating, food packaging
- Vacuum coating, sterilization
- Analytical
- Vacuum ovens, puller
- Chemical vacuum processes

ADVANTAGES AT A GLANCE

- More gauge for less
- Smallest in class
- Outstanding stability
- Chemical resistance
- Digital signal processing



Temperature coefficient

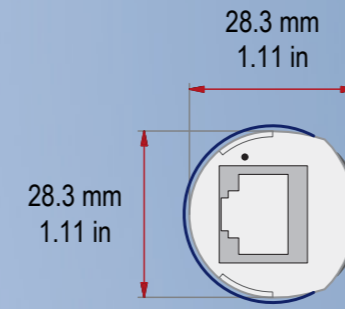


In-situ architecture
Assures excellent temperature stability of zero and span.

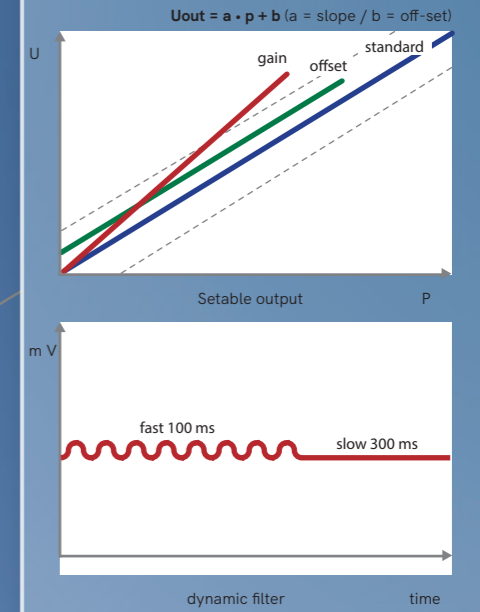
The cell is protected and shielded against direct heat transfer.

----- Standard metal sensor
----- INFICON ceramic sensor

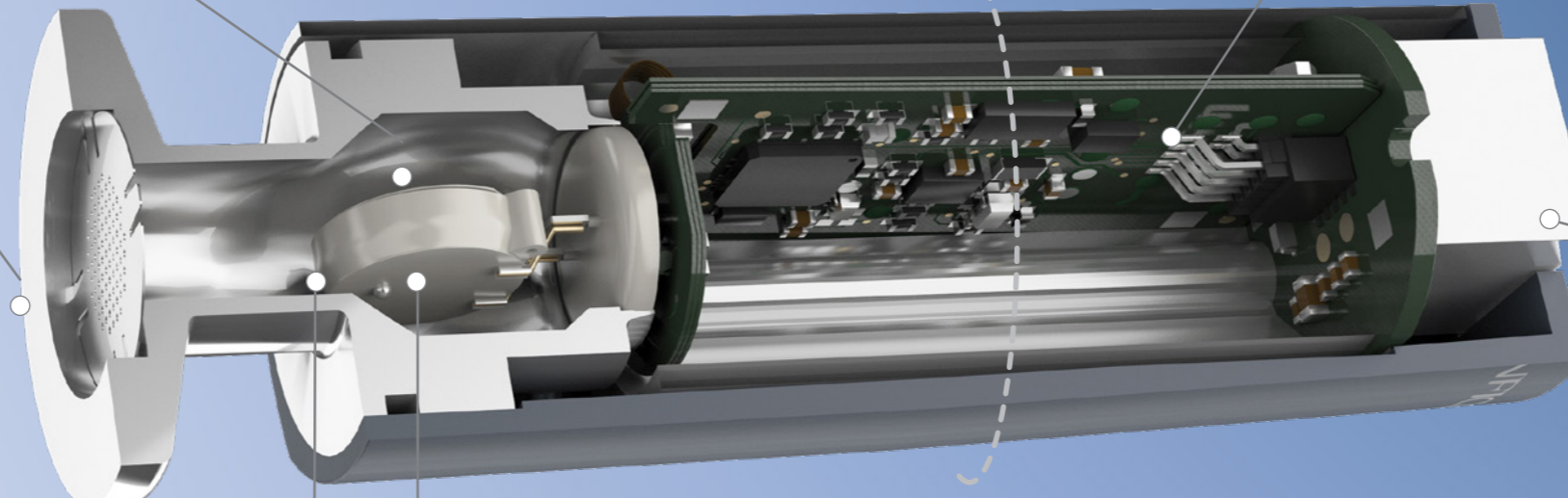
Superslim size



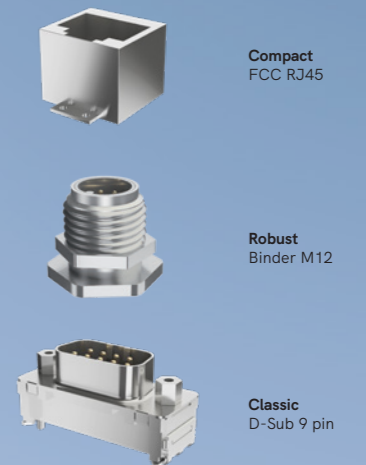
Digital signal processing



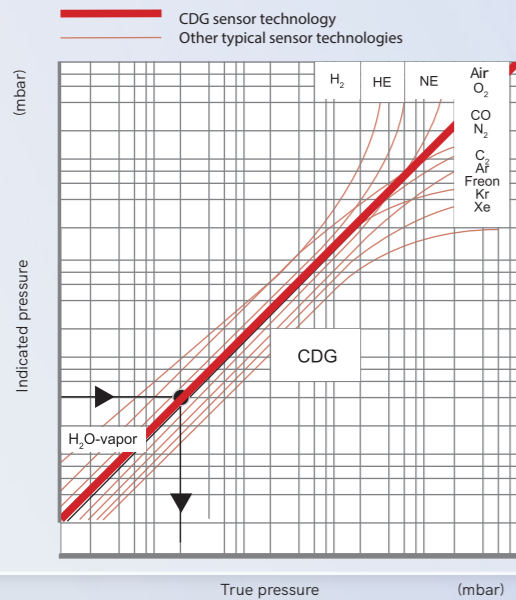
Sensor protection



Electrical connections

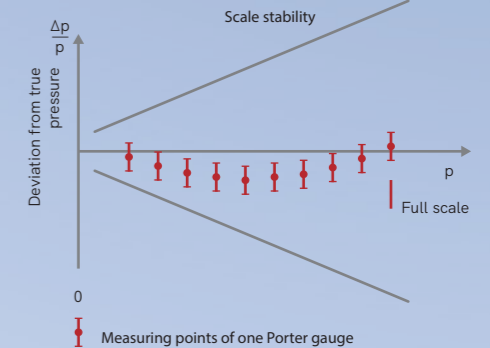
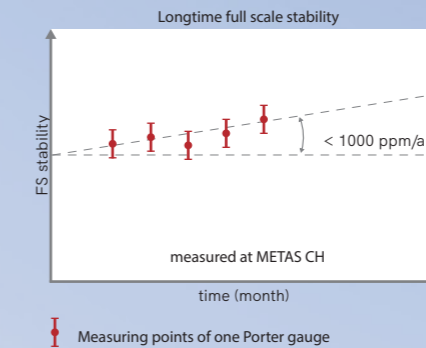
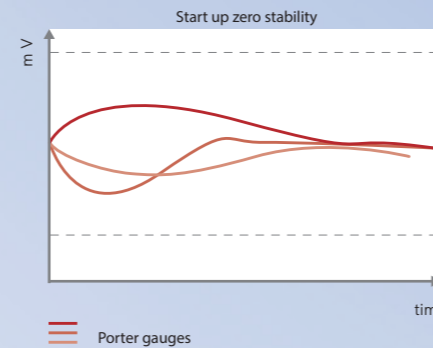


Gas type independence



Fully ceramic sensor

Bonded ceramic structure with an in-situ mounting provides superior pressure measurement performance. Shown is zero and span stability.



Excellent Customer Support is a Commitment

INFICON provides a global network of sales and service centers. These centers are staffed with local service and application experts who can assist you in choosing the best solution for your individual product application and provide fast support if service is needed.



Americas

United States

INFICON Inc.
East Syracuse, NY
Phone : +1 315 434 1100
E-mail : reach.us@inficon.com

Mexico

INFICON Mexico
Santiago de Querétaro, Qro.
Phone : +52 (442) 980 00 80
E-mail : reach.mexico@inficon.com

**Europe, Middle East
and Africa**

INFICON GmbH
Cologne
Phone : +49 221 567 881 00
E-mail : reach.germany@inficon.com

Asia and Pacific

China

INFICON Ltd.
Beijing
Phone : +86 10 6590 0164
E-mail : reach.china@inficon.com

Japan

INFICON Co. Ltd.
Kawasaki-shi, Kanagawa-ken
Phone : +81 44 822 1111
E-mail : reach.japan@inficon.com

Korea

INFICON Ltd.
Gyeonggi-do
Phone : +82 31 783 2942
E-mail : reach.korea@inficon.com

**Singapore, South Asia and
Australia / New Zealand**

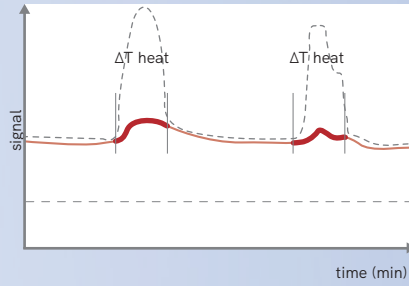
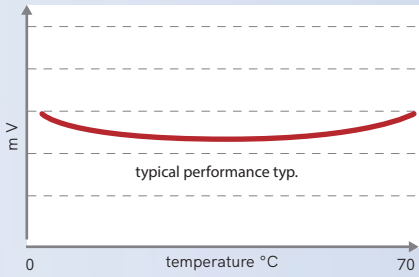
INFICON PTE Ltd.
Singapore
Phone : +65 6631 0300
E-mail : reach.singapore@inficon.com

Taiwan

INFICON Co. Ltd.
Chupei City
Phone : +886 3 552 5828
E-mail : reach.taiwan@inficon.com



Temperature coefficient



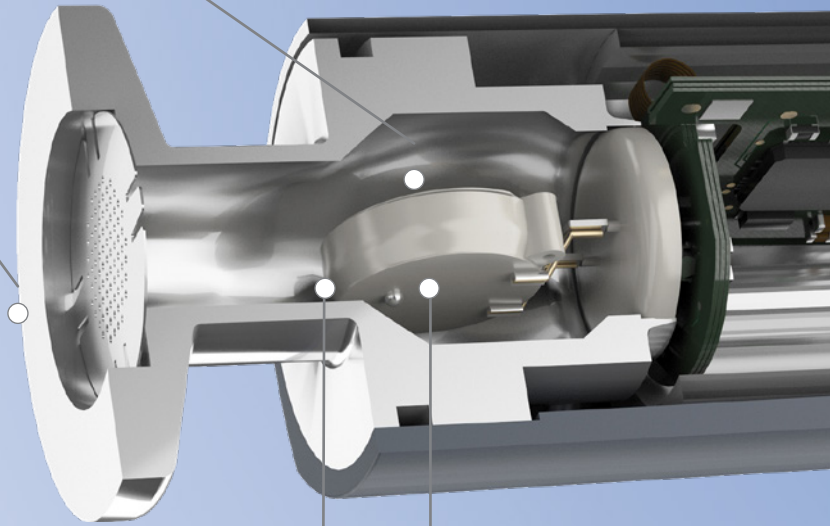
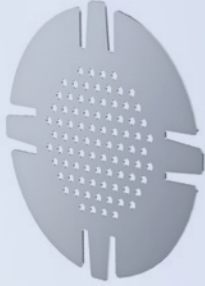
In-situ architecture

Assures excellent temperature stability of zero and span.

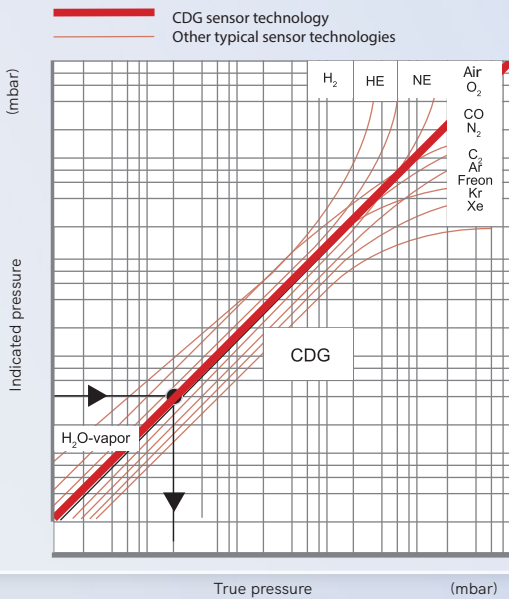
The cell is protected and shielded against direct heat transfer.

----- Standard metal sensor
 _____ INFICON ceramic sensor

Sensor protection



Gas type independence

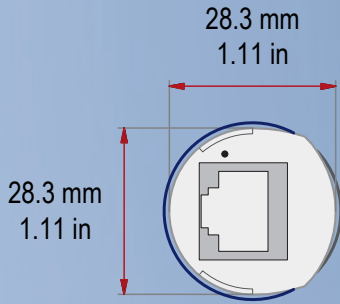


Fully ceramic sensor

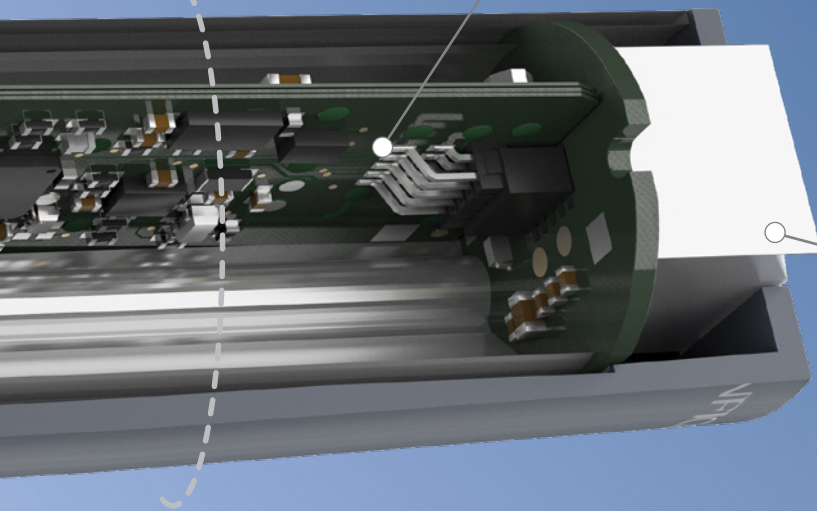
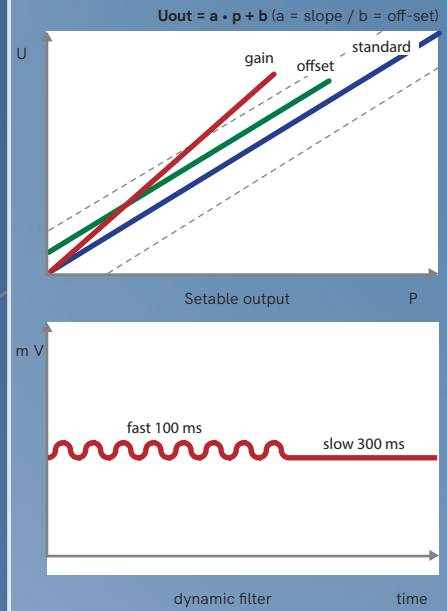
Bonded ceramic structure with an in-situ mounting provides superior pressure measurement performance. Shown is zero and span stability.



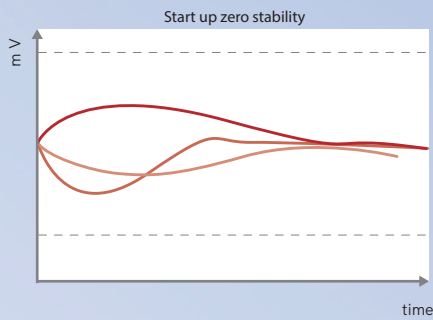
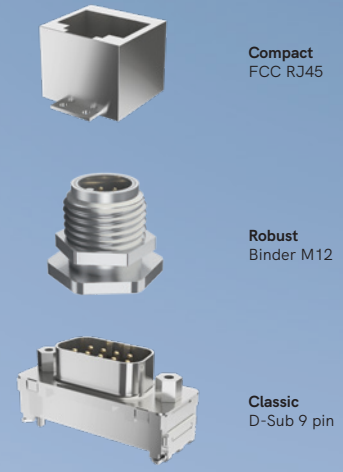
Superslim size



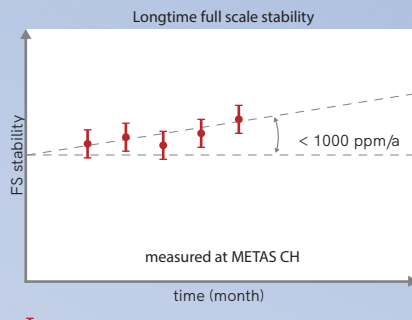
Digital signal processing



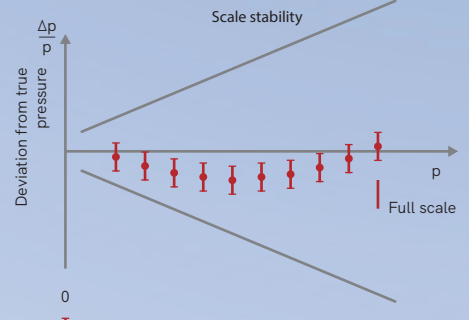
Electrical connections



Porter gauges



Measuring points of one Porter gauge



Measuring points of one Porter gauge