



Operating Manual

# Wey-TEK<sup>®</sup> Pro

Refrigerant Charging Scale

English · Español · Français · Deutsch · Italiano · Český · Polski ·  
Svensk · Türkçe · Nederlands · 語言 · 日本語 · 한국어

---

<b>English .....</b>	<b>3</b>
<b>Español .....</b>	<b>27</b>
<b>Français .....</b>	<b>51</b>
<b>Deutsch .....</b>	<b>75</b>
<b>Italiano.....</b>	<b>100</b>
<b>Český .....</b>	<b>125</b>
<b>Polski .....</b>	<b>149</b>
<b>Svenska.....</b>	<b>174</b>
<b>Türkçe.....</b>	<b>197</b>
<b>Nederlands .....</b>	<b>222</b>
<b>語言 .....</b>	<b>247</b>
<b>日本語.....</b>	<b>271</b>
<b>한국어.....</b>	<b>296</b>

# Table of Contents

<b>1 Disclaimer and Copyright</b> .....	<b>4</b>
<b>2 Cautions and Warnings</b> .....	<b>5</b>
<b>3 Specifications</b> .....	<b>6</b>
<b>4 Wey-TEK Pro</b> .....	<b>7</b>
<b>5 Screen Layout and Symbols</b> .....	<b>8</b>
<b>6 Operation</b> .....	<b>10</b>
6.1 Getting Started .....	10
6.2 Turning on the Instrument/Preparing for Use .....	10
6.3 Weighing/Home Screen .....	11
6.4 Settings Menu .....	11
6.5 Alarms .....	12
6.5.1 Operating with an Alarm .....	13
6.5.2 Changing the Refrigerant/Recovery Cylinder .....	14
6.6 Units .....	14
6.7 Bluetooth .....	15
6.8 Screen Dimming .....	15
6.9 Auto Shut-off .....	16
<b>7 Changing the Batteries</b> .....	<b>17</b>
<b>8 App</b> .....	<b>19</b>
<b>9 Magnetic Strap</b> .....	<b>20</b>
<b>10 Small Charge Adapter Kit</b> .....	<b>21</b>
<b>11 Cleaning and Storage</b> .....	<b>23</b>
<b>12 Replacing the Handpiece or Cord</b> .....	<b>24</b>
<b>13 Replacement Parts and Accessories</b> .....	<b>25</b>
<b>14 Warranty and Liability-Limitation</b> .....	<b>26</b>

# 1 Disclaimer and Copyright

## Disclaimer

The information contained in this manual is believed to be accurate and reliable. However, INFICON assumes no responsibility for its use and shall not be liable for any special, incidental, or consequential damages related to the use of this product.

Due to our continuing program of product improvements, specifications are subject to change without notice.

## Copyright

©2024 All rights reserved.

Reproduction or adaptation of any part of this document without permission is unlawful.

Wey-TEK is a registered trademark of INFICON.

Apple, the Apple logo, and iPhone are trademarks of Apple Inc., registered in the U.S. and other countries. App Store is a service mark of Apple Inc.

Google Play and the Google Play logo are trademarks of Google LLC.

The Bluetooth® word mark and logos are registered trademarks owned by the Bluetooth SIG, Inc., and any use of such marks by INFICON is under license.

Other trademarks and trade names are those of their respective owners.

## 2 Cautions and Warnings

When using this manual, please pay attention to the Notes, Cautions, and Warnings found throughout. For the purposes of this manual they are defined as follows:



### **WARNING**

**Failure to heed these messages could result in personal injury.**



### **CAUTION**

**Failure to heed these messages could result in poor Wey-TEK Pro performance.**



### **CAUTION**

If the equipment is used in a manner not specified by the information contained in this instruction manual, the protection provided by the equipment may be impaired.



Pertinent information that is useful in achieving maximum Wey-TEK Pro efficiency when followed.

This equipment has been tested and found to comply with the limits for a Class A digital device, pursuant to part 15 of the FCC Rules. These limits are designed to provide reasonable protection against harmful interference when the equipment is operated in a commercial environment. This equipment generates, uses, and can radiate radio frequency energy and, if not installed and used in accordance with the instruction manual, may cause harmful interference to radio communications. Operation of this equipment in a residential area is likely to cause harmful interference in which case the user will be required to correct the interference at his own expense.

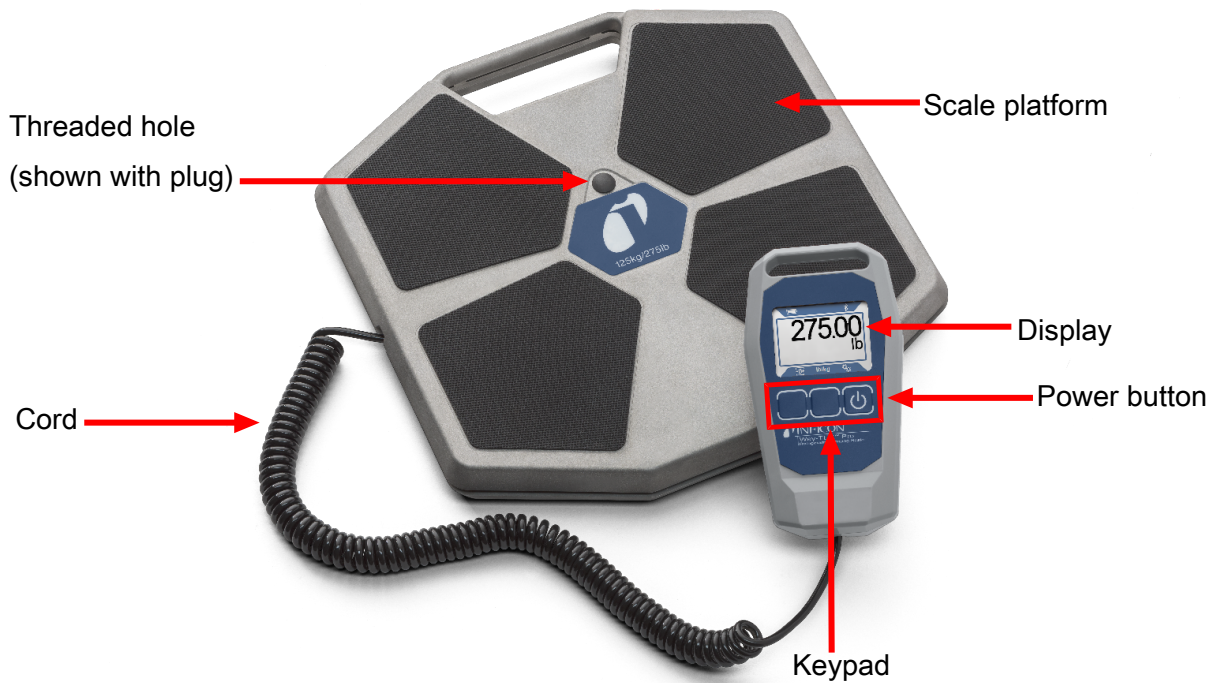
## 3 Specifications

Usage	Indoor or outdoor
Weight capacity	125 kg (275 lb.)
Accuracy	$\pm 0.06\%$ of reading or $\pm 3\text{g}$ (0.1 oz) (whichever is greater)
Display resolution	g: 3g oz.: 0.1 oz. lb.: 0.01 lb. lb./ oz.: 0.02 oz. kg: 0.01kg
Operating temperature	-18 to 50°C (0 to 122°F)*
Storage temperature	-30 to 80°C (-22 to 176°F)
Humidity	85% RH at 45°C (113°F), non-condensing
Altitude	2000 m (6500 ft.)
Power supply	3 AA alkaline batteries
Battery life	Dependent on dimming settings No dimming: ~30 hours Always dimmed: ~150 hours
Ingress protection	IP44
Pollution degree	3
Overvoltage category	II
Weight (including batteries)	6.35 lb. (2880 g)
Platform dimensions (L x W x H)	29.1 x 29.1 x 3.7 cm (11.5 x 11.5 x 1.5 in.)
Cord length	~19.8 in. (50.3 cm) coiled ~103 in. (262 cm) extended

\*Use below 0°C should be limited. Accuracy may vary at temperatures below -10°C.

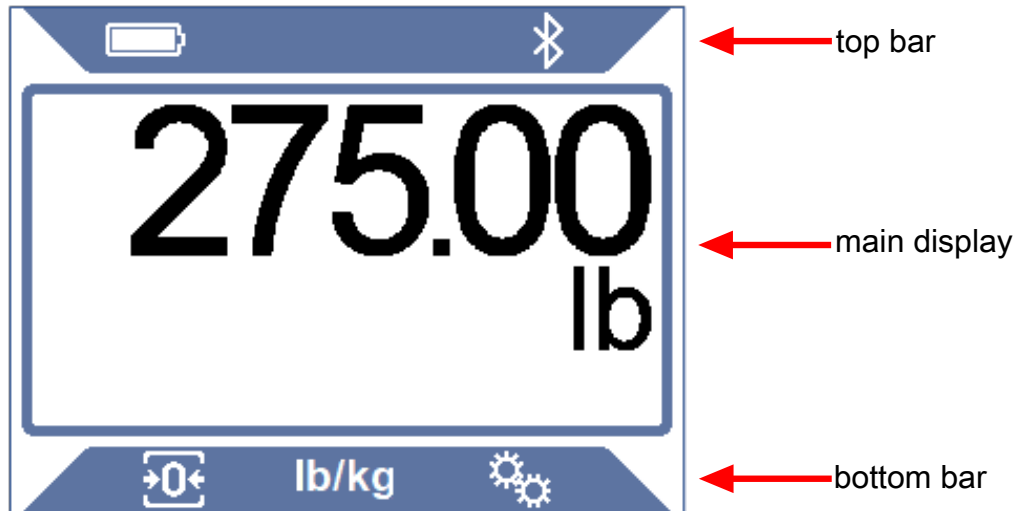
## 4 Wey-TEK Pro

Wey-TEK Pro is a high accuracy scale designed for use in HVAC/R applications to weigh refrigerant during either recovery or charging of AC or refrigeration systems. The scale can be used with the attached handpiece, or with a phone or tablet using the free downloadable app.



## 5 Screen Layout and Symbols

Wey-TEK Pro uses the display screen for all indicators and information. The display consists of a top bar, main display, and a bottom bar.



**Top bar:** The top bar includes the battery symbol and Bluetooth status.

Symbol	Description
	battery charge is 75-100%
	battery charge is 50-74%
	battery charge is 30-49%
	battery charge is 10-29%
	battery charge is critically low, <10%
	Bluetooth is turned on
	A Bluetooth device is connected

**Main display:** The main display shows relevant information for the current screen. Wey-TEK Pro starts up in the home screen, which displays the current weight and units. It will also display relevant indicators if an alarm or log is in process.

**Bottom bar:** The bottom bar displays the options for the three keypad functions. Functions change depending on the current screen and selection. The table below shows the different icons and their respective functions.

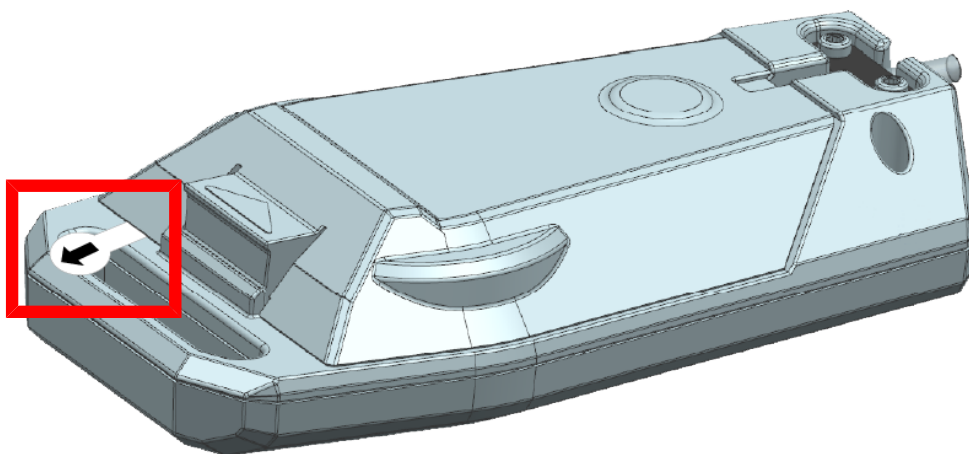


Symbol	Description
	Zero/tare the weight
lb/kg	Cycles through display units (lb/oz, lb, oz, kg, g)
	Enter the settings menu
	Scroll down through options
	Highlight the next available setting
	Increase the highlighted digit
	Move cursor to next digit; hold to reset setpoint to zero
	Enter the selected settings menu or sub-menu; accept and save a setting change; accept a completed alarm; start an alarm
	Cancel the change; cancel alarm
	Return to the home screen
	Pause a current alarm
	Resume a currently paused alarm

## 6 Operation

### 6.1 Getting Started

Wey-TEK Pro comes with three AA alkaline batteries already installed. Before turning Wey-TEK Pro on for the first time, you must remove the battery insulator strip from the battery compartment of the handpiece. Firmly grip the insulator strip and pull toward the top of the handpiece to remove.



### 6.2 Turning on the Instrument/Preparing for Use

Long press the power button (right-most button on the handpiece) to turn Wey-TEK Pro on or off. Wey-TEK Pro briefly displays the firmware version on startup, then continues to the home screen.

#### NOTICE

If the screen does not turn on, the batteries are dead and need replacing. Refer to Changing the Batteries [▶ 17].

### 6.3 Weighing/Home Screen

Wey-TEK Pro starts up automatically in the home screen and will immediately display the weight in real-time. Place a tank or other object on the scale platform to weigh. If an alarm is set, the setpoint will be displayed on the bottom of the main display.








On the home screen, press the corresponding buttons on the keypad to perform the following actions:

Symbol	Description
	Zero/tare the weight
lb/kg	Cycle through display units (lb/oz, lb, oz, kg, g)
	Enter the settings menu

### 6.4 Settings Menu

Use the keypad in the settings menu to select and enter the settings for specific functions. The currently selected sub-menu is highlighted in dark blue.



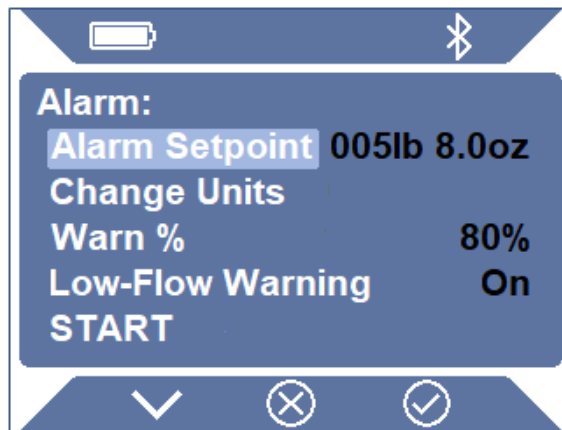
Symbol	Description
	Alarm Settings menu – set alarms based on weight
<b>lb/kg</b>	Unit Settings menu – change display units
	Bluetooth Settings menu – enable or disable Bluetooth
	Screen Dimming Settings menu – select whether or not to dim the display to save battery life
	Auto-shutoff Setting menu – select if the scale should shut off automatically after a set amount of time
	Info/About menu – displays basic info about the scale, including firmware version, MAC address, and FCC info

## 6.5 Alarms


Wey-TEK Pro can set alarms based on a weight setpoint. This can be used for either recovery or charging of refrigerants. Alarms are set in the Alarm Settings menu.

### NOTICE


Wey-TEK Pro does not have audible alarms in the handpiece. Alarms are visual only. For audible alarms, download the Wey-TEK Pro app. See App.



The alarm settings screen displays the current alarm-related settings and allows you to enter sub-menus to edit these settings.

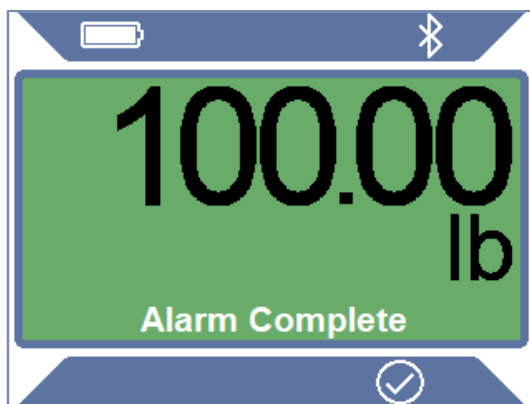
Alarm Setpoint	Select this menu to change the setpoint weight.
Change Units	Allows you to change the units. Options are <b>lb/oz</b> , <b>lb</b> , <b>oz</b> , <b>kg</b> , or <b>g</b> .  NOTE: Changing the units resets the alarm setpoint to zero.
	
Warn %	Select a percentage of the alarm setpoint at which to warn you that you are approaching your alarm weight. Options are <b>Disabled</b> , <b>70%</b> , <b>80%</b> , or <b>90%</b> .
Low-Flow Warning	Turn this setting on for a visual warning if the weight has changes less than 30 g in two minutes.
START	Starts the alarm.

### 6.5.1 Operating with an Alarm

- 1 Enter the alarm settings menu.
- 2 Set the alarm parameters.
- 3 Select **START**. Wey-TEK Pro returns to the home screen, zeros, and begins weighing. The setpoint is displayed near the bottom of the screen.
- 4 When the alarm is complete, the screen flashes green and displays the total transferred refrigerant. Press  to accept and clear the alarm.



#### NOTICE

To cancel an alarm, press  any time during the alarm.



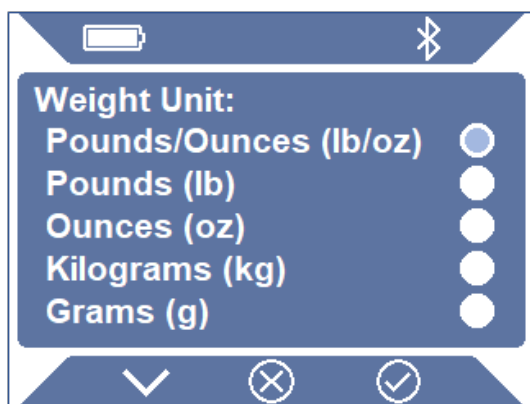
### 6.5.2 Changing the Refrigerant/Recovery Cylinder

If an alarm is set and the cylinder needs changing during the charging/recovery process:

- 1 Close the cylinder valve. The scale may take a moment to stabilize.
- 2 Press .
- 3 Change the cylinder.
- 4 Press . Wey-TEK Pro remembers the weight transferred and resumes the alarm/log.
- 5 Open the new cylinder valve.

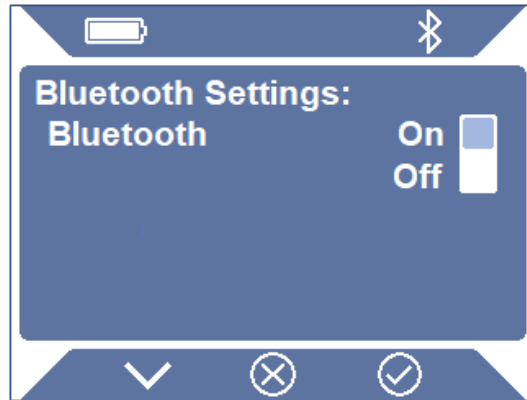
## 6.6 Units

The Units menu allows you to set the displayed units. This can also be done on the home screen. Units can be displayed in lb/oz, lb, oz, kg, g. The default is lb/oz.



## 6.7 Bluetooth

The Bluetooth menu allows you to enable or disable Bluetooth. Bluetooth is only required to use the mobile app. When Bluetooth is enabled, you can pair your mobile device in the app. The default Bluetooth setting is On.



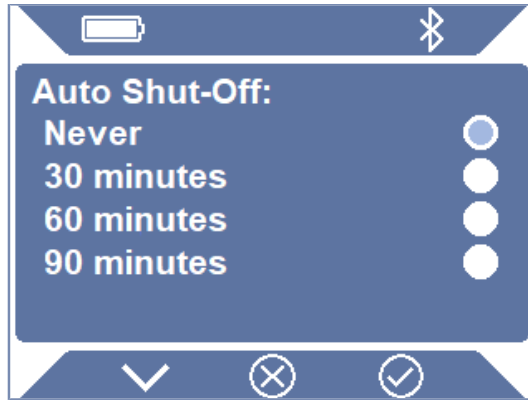
## 6.8 Screen Dimming

The screen dimming menu allows you to save battery life by dimming the screen to low brightness after a set amount of time. The default setting is 1 minute.



## 6.9 Auto Shut-off

The auto shut-off menu allows you to change the amount of time before Wey-TEK Pro turns off on its own. The timer (not displayed) resets with any button press or weight change. The default setting is Never.

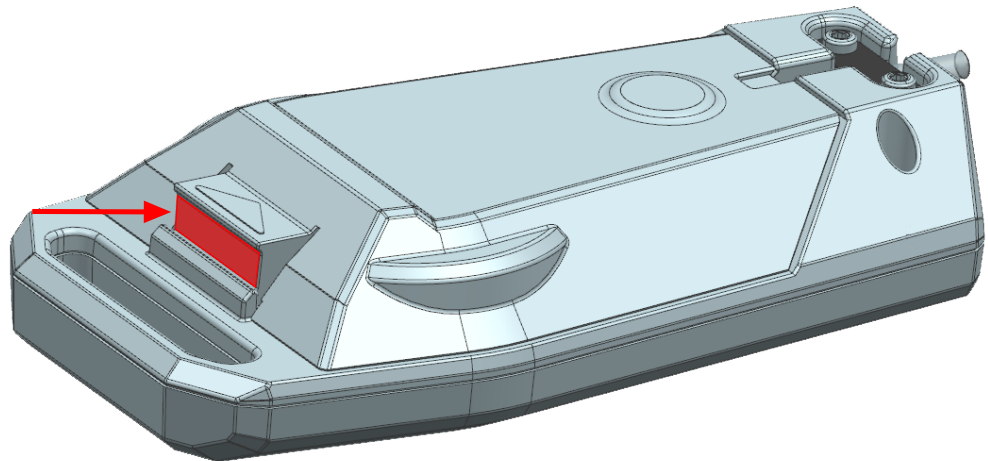




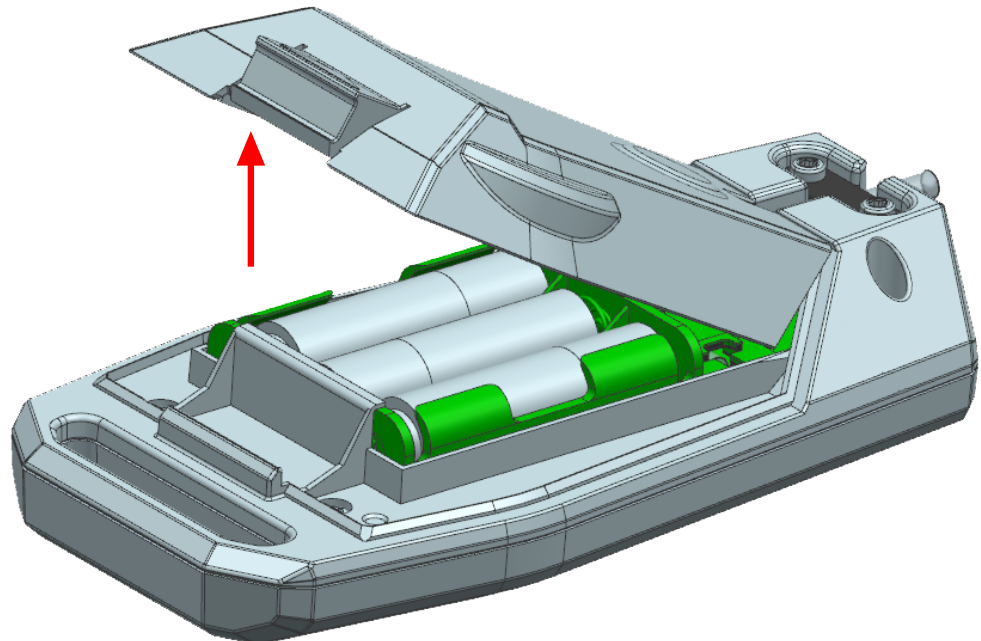
## 7 Changing the Batteries

Wey-TEK Pro runs on three AA alkaline batteries. The battery door is located on the back of the handpiece.

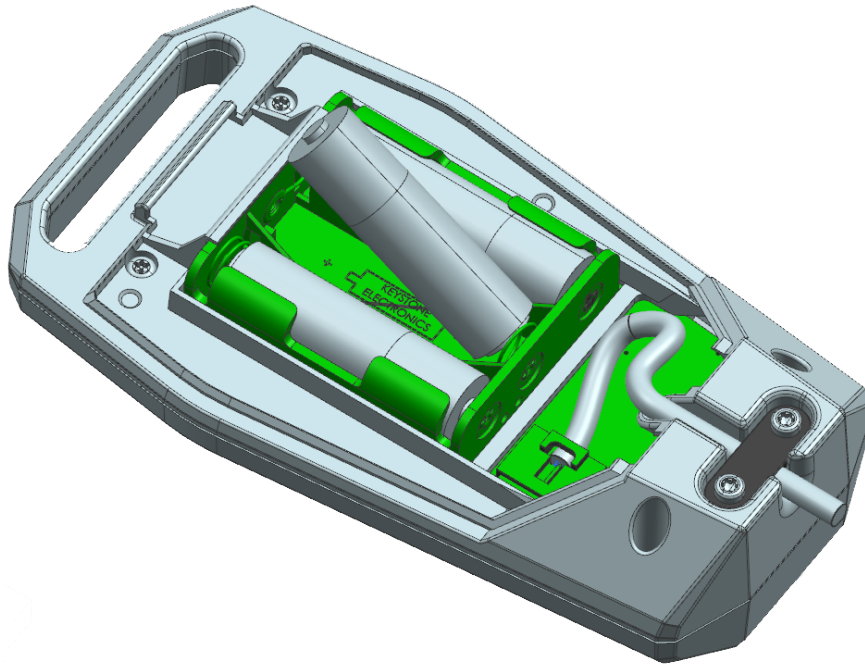
- 1 Turn the handpiece over and press in the direction of the arrow on the battery door latch below the lip.



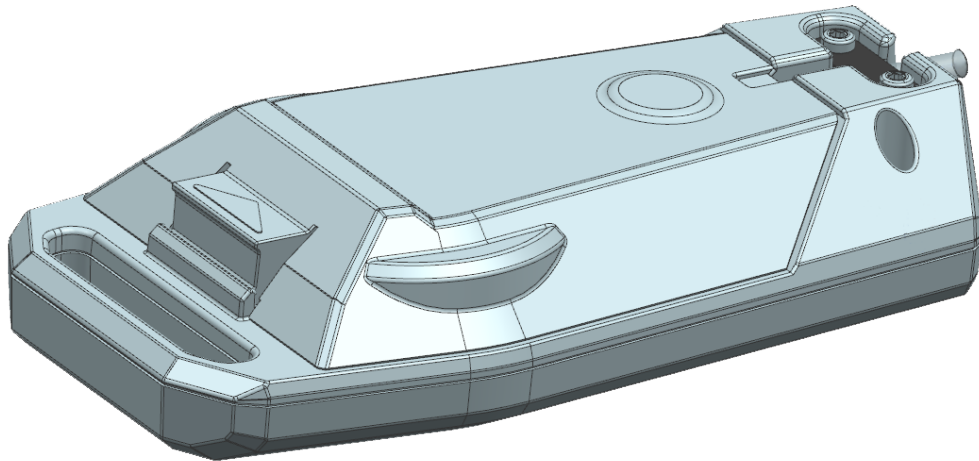
- 2 Remove the battery door.



- 3 Remove and replace the depleted batteries.



- 4 Replace the battery door.



Dispose of the depleted alkaline batteries according to the applicable state and local regulations. In the absence of such regulations, recycle and/or dispose of the batteries through a voluntary waste recycling program.

## 8 App

Download the free Wey-TEK Pro app for your smartphone or tablet for additional functions.

The Wey-TEK Pro app allows you to:

- Access the same functions as the handpiece
- Set alarms with audible and visual notifications
- Save and share job logs, including pictures and customer information
- Update Wey-TEK Pro firmware

---

### NOTICE

The scale does not need to be in pairing mode to pair with the app.

---

The app is available for download on the App Store® or on Google Play™.



## 9 Magnetic Strap

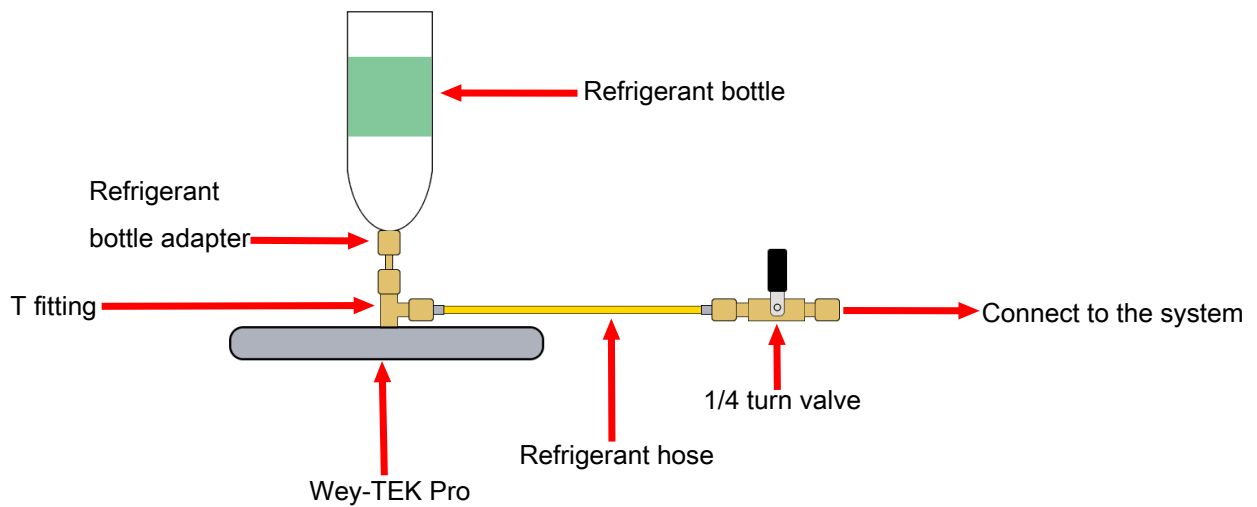
Wey-TEK Pro includes a magnetic strap with which to hang the handpiece for hands-free use. The strap uses a hook and loop closure to loop through the slot in the handpiece. Hang the handpiece either using the magnet or by looping the strap around a pipe or other object.

## 10 Small Charge Adapter Kit

The small charge adapter kit (part number 501-601-G1) is an optional accessory that allows you to attach a small refrigerant bottle, common to A3 flammable refrigerants, to the scale. This keeps the bottle securely inverted for easy charging.

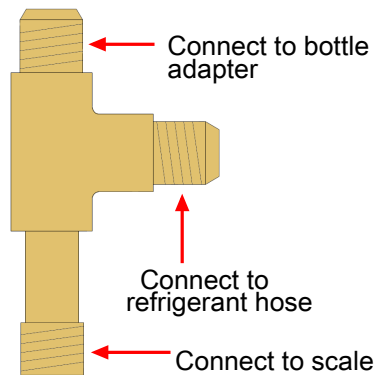
The small charge adapter kit includes:

- T fitting with 1/4 SAE male threads
- 1/4 turn valve
- 18 in. (457 mm) refrigerant hose with 2 mm internal diameter
- CGA600 female to 7/16-28 (EN417 Lindal) male bottle adapter
- 7/16-28 (EN417 Lindal) female to 1/4 SAE female bottle adapter
- 1/4 SAE female to 1/4 SAE female bottle adapter



To use the adapter kit:

- 1 Remove the small plastic plug from the scale platform using a small, flat screwdriver or similar tool.
- 2 Screw the T fitting into the scale platform.



- 3 Select the appropriate tank adapter for your refrigerant bottle and attach it to the T fitting.
- 4 Attach one end of the refrigerant hose to the T fitting and the other end to the 1/4 turn valve.
- 5 With the 1/4 turn valve in the closed position, attach the refrigerant bottle to the refrigerant tank adapter.
- 6 Attach the 1/4 turn valve to the system.
- 7 Slowly open the 1/4 turn valve to charge the system. Close the valve when done.

## NOTICE

Hand tighten all fittings.

---

# 11 Cleaning and Storage

Wey-TEK Pro can be cleaned with mild detergent or isopropyl alcohol. Care should be taken to prevent cleaner from entering handpiece. Do not clean with gasoline, acetone, or other aggressive solvents as they may damage the plastic or display.

---

## NOTICE

The platform is made of aluminum and may stain with certain solvents.

---

## 12 Replacing the Handpiece or Cord

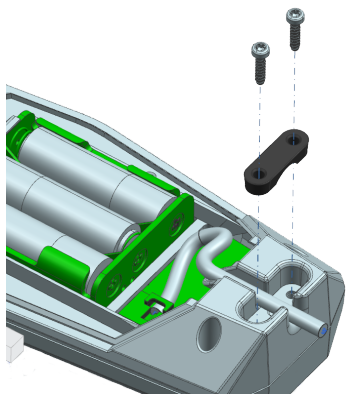
In the event that the handpiece or cord becomes damaged, it is possible to replace either the handpiece (PN 501-701-G1) or platform/cord assembly (PN 501-702-G1). The cord is hard wired to the load cell inside the platform, so they must be replaced together.



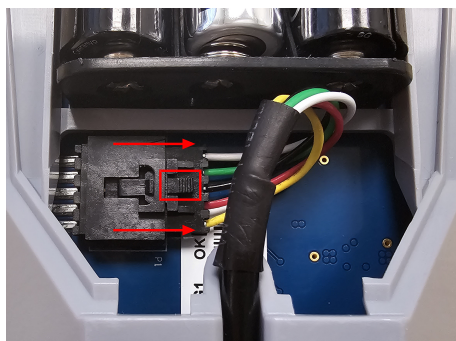
It is recommended to ground yourself before performing the replacement to avoid ESD damage to the handpiece.

To replace either the handpiece or the platform/cord:

- 1 Turn Wey-TEK Pro off.
- 2 Remove the battery door from the handpiece.
- 3 Remove the two screws on the handpiece using a T10 star driver.



- 4 Remove the cord support.
- 5 Press down on the lock of the connector and CAREFULLY pull the connector from the socket.



- 6 Replace either the handpiece or the platform/cord assembly and reassemble in reverse order.

### NOTICE

Do not overtighten the screws.



## 13 Replacement Parts and Accessories

Small charge adapter kit	501-601-G1
Replacement carrying case	501-700-G1
Replacement handpiece (includes magnetic strap)	501-701-G1
Replacement scale platform with cable	501-702-G1
Magnetic strap	501-311-P1
Replacement battery door	501-308-P1

## 14 Warranty and Liability-Limitation

INFICON warrants your instrument to be free from defects of materials or workmanship for one or two years (depending on region) from the date of purchase. INFICON does not warrant items that deteriorate under normal use, including batteries, sensors, and filters. In addition, INFICON does not warrant any instrument that has been subjected to misuse, negligence, or accident, or has been repaired or altered by anyone other than INFICON. INFICON liability is limited to instruments returned to INFICON, transportation prepaid, not later than thirty (30) days after the warranty period expires, and which INFICON judges to have malfunctioned because of defective materials or workmanship. INFICON liability is limited to, at its option, repairing or replacing the defective instrument or part. This warranty is in lieu of all other warranties, express or implied, whether of MERCHANTABILITY or of FITNESS FOR A PARTICULAR PURPOSE or otherwise. All such other warranties are expressly disclaimed. INFICON shall have no liability in excess of the price paid to INFICON for the instrument plus return transportation charges prepaid. INFICON shall have no liability for any incidental or consequential damages. All such liabilities are EXCLUDED.

# Índice

<b>1 Descargo de responsabilidad y derechos de autor .....</b>	<b>28</b>
<b>2 Precauciones y advertencias .....</b>	<b>29</b>
<b>3 Características.....</b>	<b>30</b>
<b>4 Wey-TEK Pro.....</b>	<b>31</b>
<b>5 Diseño de la pantalla y símbolos.....</b>	<b>32</b>
<b>6 Funcionamiento.....</b>	<b>34</b>
6.1 Primeros pasos .....	34
6.2 Encendido del equipo y preparación para su uso .....	34
6.3 Pesaje/Pantalla de inicio .....	35
6.4 Menú de configuración .....	36
6.5 Alarmas .....	37
6.5.1 Funcionamiento con alarma.....	38
6.5.2 Cambio del cilindro de refrigeración/recuperación.....	38
6.6 Unidades .....	39
6.7 Bluetooth .....	39
6.8 Atenuación de la pantalla.....	40
6.9 Apagado automático .....	40
<b>7 Sustitución de las pilas .....</b>	<b>41</b>
<b>8 Aplicación .....</b>	<b>43</b>
<b>9 Correa magnética.....</b>	<b>44</b>
<b>10 Kit de adaptador de carga pequeño .....</b>	<b>45</b>
<b>11 Limpieza y almacenamiento.....</b>	<b>47</b>
<b>12 Sustitución del control manual o del cable .....</b>	<b>48</b>
<b>13 Piezas de repuesto y accesorios.....</b>	<b>49</b>
<b>14 Limitación de garantía y responsabilidad.....</b>	<b>50</b>

# 1 Descargo de responsabilidad y derechos de autor

## Descargo de responsabilidad

La información contenida en este manual se considera exacta y fiable. No obstante, INFICON no se responsabiliza de su uso y no se le podrá culpar de ningún daño especial, fortuito o indirecto relacionado con el uso de este producto.

Las características del artículo están sujetas a cambios sin previo aviso dentro de nuestro programa continuo de mejora de productos.

## Copyright

©2024 Todos los derechos reservados.

La reproducción o adaptación de cualquier parte de este documento sin permiso es ilegal.

Wey-TEK es una marca registrada de INFICON.

Apple, el logotipo de Apple y iPhone son marcas comerciales de Apple Inc., registradas en EE. UU. y otros países. App Store es una marca de servicios de Apple Inc.

Google Play y el logotipo de Google Play son marcas comerciales de Google LLC.

La marca denominativa y los logotipos Bluetooth® son marcas comerciales registradas propiedad de Bluetooth SIG, Inc. y cualquier uso de las mismas por parte de INFICON tiene lugar bajo licencia.

El resto de marcas comerciales y nombres comerciales son propiedad de sus respectivos propietarios.

## 2 Precauciones y advertencias

Al usar este manual, preste atención a las notas, avisos de precaución y advertencias que aparecen a lo largo del mismo. A efectos del presente manual, se definen del siguiente modo:



### **ADVERTENCIA**

**Si no se tienen en cuenta estos mensajes, pueden producirse daños personales.**



### **PRECAUCIÓN**

**Si no se tienen en cuenta estos mensajes, Wey-TEK Pro podría no funcionar correctamente.**



### **CAUTION**

Si el equipo se utiliza de una manera no especificada en la información contenida en este manual de instrucciones, la protección proporcionada por el equipo puede verse afectada.



Información útil para lograr la máxima eficacia de Wey-TEK Pro.

Este equipo ha sido probado y cumple los límites establecidos para los dispositivos digitales de Clase A de conformidad con el apartado 15 de las normas de la FCC. Estos límites se establecen para proporcionar una protección razonable contra interferencias perjudiciales cuando se use el equipo en un entorno comercial. Este equipo genera, utiliza y puede irradiar energía de radiofrecuencia y, si no se instala y utiliza de acuerdo con el manual de instrucciones, puede causar interferencias perjudiciales para las comunicaciones por radio. Es probable que el uso de este equipo en zonas residenciales cause interferencias perjudiciales; en ese caso, el usuario deberá corregir las interferencias por su cuenta.

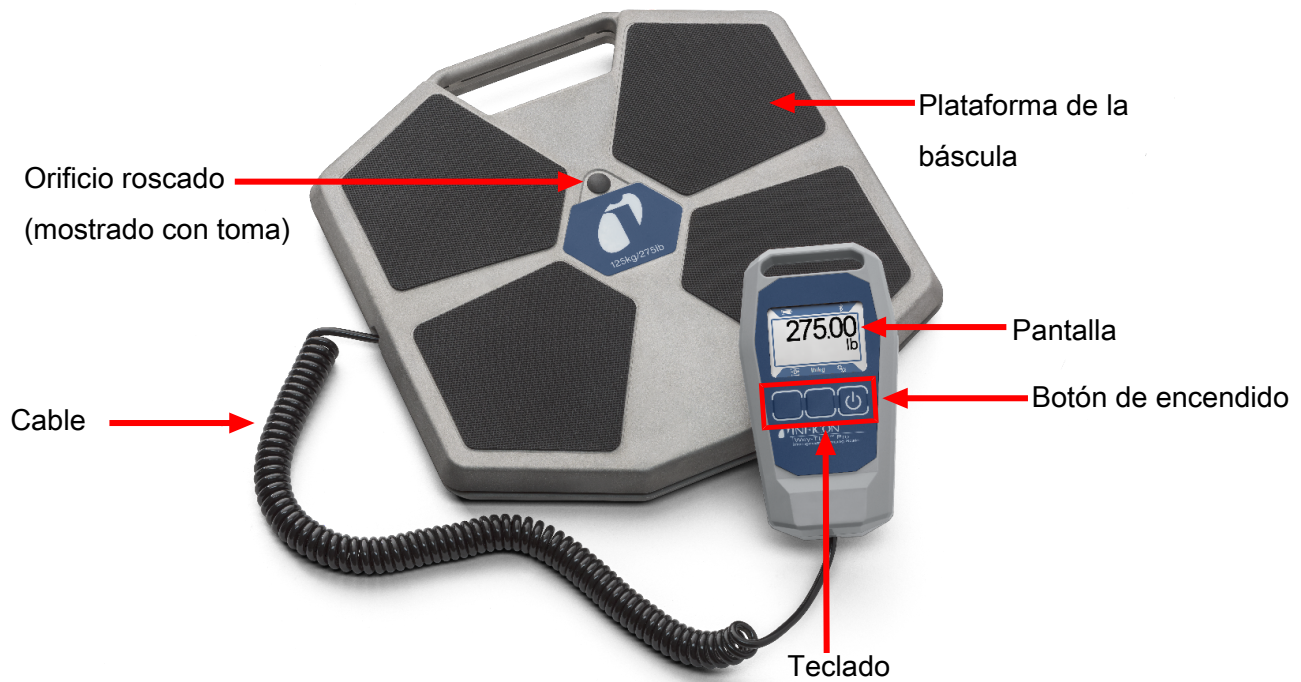
## 3 Características

Uso	En interiores o exteriores
Capacidad de carga	125 kg (275 lb)
Precisión	± 0,06 % de la lectura o ± 3 g (0,1 oz) (lo que sea mayor)
Resolución de la pantalla	g: 3 g oz: 0,1 oz lb: 0,01 lb lb/oz: 0,02 oz kg: 0,01 kg
Temperatura de funcionamiento	De -18 a 50 °C (de 0 a 122 °F)*
Temperatura de almacenamiento	De -30 a 80 °C (de -22 a 176 °F)
Humedad	85 % de HR a 45 °C (113 °F), sin condensación
Altitud	2000 m (6500 pies)
Alimentación	3 pilas alcalinas AA
Duración de la batería	Depende de los ajustes de atenuación Sin atenuación: ~30 horas Siempre atenuado: ~150 horas
Grado de protección IP	IP44
Grado de contaminación	3
Categoría de sobretensión	II
Peso (pilas incluidas)	6,35 lb (2880 g)
Dimensiones de la plataforma (largo × ancho × alto)	29,1 × 29,1 × 3,7 cm (11,5 × 11,5 × 1,5 pulg.)
Longitud del cable	~19,8 pulg. (50,3 cm) en espiral ~103 pulg. (262 cm) extendido

\*Se debe limitar el uso por debajo de 0° C. La precisión puede variar a temperaturas inferiores a -10° C.

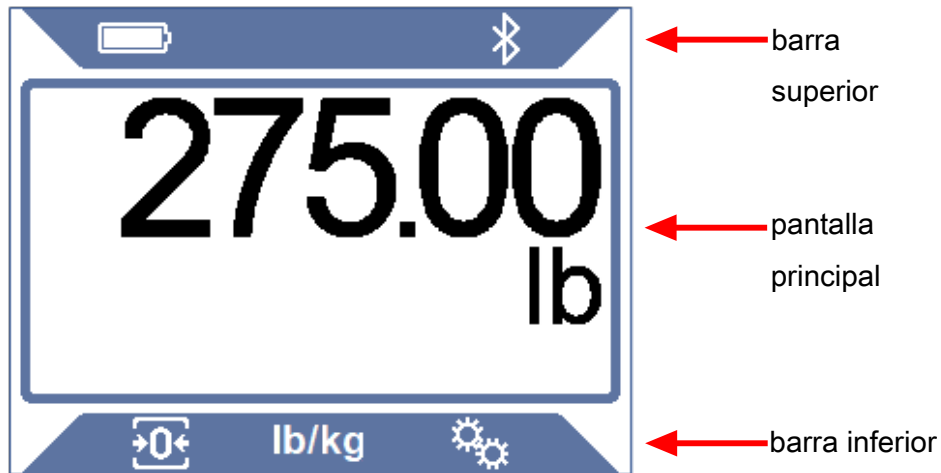
## 4 Wey-TEK Pro

Wey-TEK Pro es una báscula de alta precisión diseñada para su uso en aplicaciones de climatización, para pesar refrigerante durante la recuperación o carga de sistemas de aire acondicionado o refrigeración. La báscula puede utilizarse con el control manual adjunto o con un teléfono o tableta mediante la aplicación de descarga gratuita.










## 5 Diseño de la pantalla y símbolos

Wey-TEK Pro utiliza la pantalla de visualización para mostrar información y todos los indicadores. La pantalla consta de una barra superior, una pantalla principal y una inferior.



**Barra superior:** la barra superior incluye el símbolo de la batería y el estado del Bluetooth.

Símbolo	Descripción
	La carga de la batería es del 75-100 %
	La carga de la batería es del 50-74 %
	La carga de la batería es del 30-49 %
	La carga de la batería es del 10-29 %
	La carga de la batería es críticamente baja, < 10 %
	La función Bluetooth está encendida
	Hay un dispositivo Bluetooth conectado

**Pantalla principal:** la pantalla principal muestra la información pertinente de la pantalla actual. La Wey-TEK Pro arranca con la pantalla de inicio, que muestra el peso actual y las unidades. También mostrará los indicadores pertinentes si hay una alarma o un registro en curso.



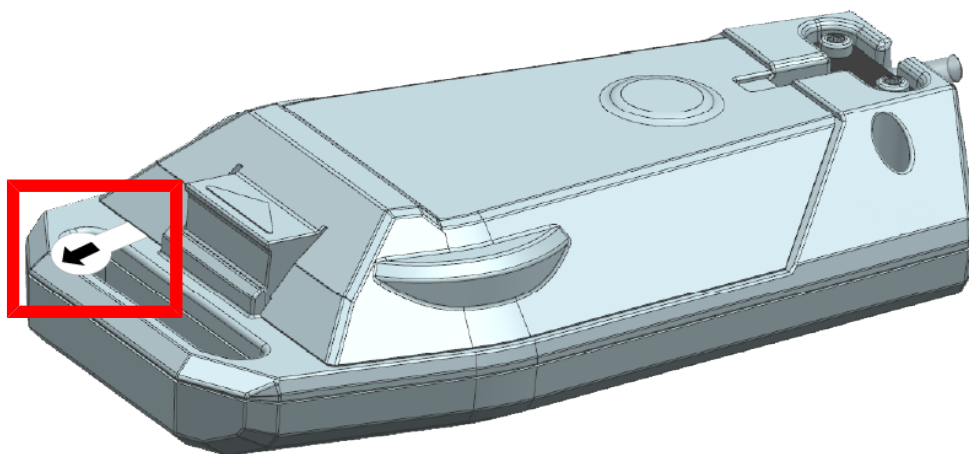
**Barra inferior:** la barra inferior muestra las opciones de las tres funciones del teclado. Las funciones cambian según la pantalla y la selección actuales. La siguiente tabla muestra los diferentes iconos y sus respectivas funciones.

Símbolo	Descripción
	Puesta a cero/tarar el peso
lb/kg	Alternar entre unidades de visualización (lb/oz, lb, oz, kg, g)
	Acceder al menú de configuración
	Desplazarse por las diferentes opciones en la lista desplegable
	Destacar el siguiente ajuste disponible
	Incrementar el dígito destacado
	Desplazar el cursor al siguiente dígito; mantenerlo pulsado para restablecer el valor de ajuste a cero
	Acceder al menú o submenú de ajustes seleccionado; aceptar y guardar una modificación de los ajustes; aceptar una alarma completada; activar una alarma
	Cancelar la modificación; cancelar la alarma
	Volver a la pantalla de inicio
	Pausar una alarma actual
	Reanudar una alarma actualmente en pausa

## 6 Funcionamiento

### 6.1 Primeros pasos

Wey-TEK Pro viene con tres pilas alcalinas AA ya instaladas. Antes de encender la Wey-TEK Pro por primera vez, debe retirar la tira aislante del compartimento de las pilas del control manual. Sujete firmemente la tira aislante y tire hacia la parte superior del control manual para retirarla.



### 6.2 Encendido del equipo y preparación para su USO

Mantenga pulsado el botón de encendido (botón situado en el extremo derecho del control manual) para encender o apagar Wey-TEK Pro. Wey-TEK Pro muestra brevemente la versión del firmware al iniciarse y, a continuación, la pantalla de inicio.

#### INDICACIÓN

Si la pantalla no se enciende, las pilas están agotadas y deben reemplazarse. Consulte Sustitución de las pilas [▶ 41].

## 6.3 Pesaje/Pantalla de inicio

Wey-TEK Pro se inicia automáticamente en la pantalla de inicio y muestra inmediatamente el peso en tiempo real. Coloque un depósito u otro objeto en la plataforma de la báscula para pesarlo. Si hay configurada una alarma, el umbral se mostrará en la parte inferior de la pantalla principal.








En la pantalla de inicio, pulse los botones correspondientes del teclado para realizar las siguientes acciones:

Símbolo	Descripción
	Puesta a cero/tarar el peso
lb/kg	Alternar entre unidades de visualización (lb/oz, lb, oz, kg, g)
	Acceder al menú de configuración

## 6.4 Menú de configuración

Utilice el teclado del menú de configuración para seleccionar e introducir los ajustes de funciones específicas. El submenú actualmente seleccionado aparece resaltado en azul oscuro.



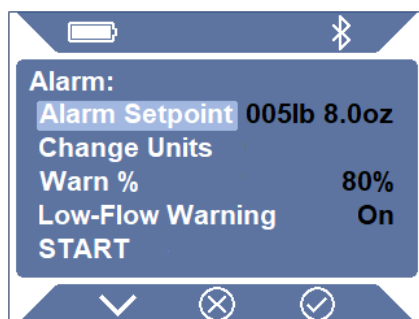
Símbolo	Descripción
	Menú de configuración de alarmas: configurar las alarmas en función del peso
<b>lb/kg</b>	Menú de configuración de unidades: cambiar las unidades de visualización
	Menú de configuración de Bluetooth: activar o desactivar Bluetooth
	Menú de configuración de la atenuación de la pantalla: seleccionar si atenuar o no la pantalla para ahorrar batería
	Menú de configuración del apagado automático: seleccionar si la báscula debe apagarse automáticamente después de un período de tiempo establecido
	Menú Información/Acerca de: muestra información básica sobre la báscula, incluida FCC, dirección MAC e información de versión de firmware.

## 6.5 Alarmas

Wey-TEK Pro puede establecer alarmas basadas en un umbral de peso. Puede utilizarse tanto para la recuperación como para la carga de refrigerantes. Las alarmas se configuran en el menú de configuración de alarmas.

### INDICACIÓN

La Wey-TEK Pro no cuenta con alarmas sonoras en el control manual. Las alarmas son solo visuales. Para usar alarmas sonoras, descargue la aplicación de la Wey-TEK Pro. Consulte el apartado .




La pantalla de configuración de alarmas muestra los parámetros de alarma actuales y permite entrar en los submenús para modificarlos.


Umbral de alarma	Seleccione este menú para modificar el umbral de peso.
Cambiar unidades	Permite cambiar las unidades. Las opciones son <b>lb/oz, lb, oz, kg</b> o <b>g</b> .  NOTA: Al cambiar las unidades, el umbral de la alarma se restablece a cero.
Aviso de %	Selecciona un porcentaje del umbral de alarma a partir del cual le avisará de que se está acercando al peso en que saltará la alarma. Las opciones son <b>Desactivado, 70 %, 80 %</b> o <b>90 %</b> .
Aviso de bajo caudal	Active esta opción para recibir una advertencia visual si el peso ha variado menos de 30 g en dos minutos.
START	Activa la alarma.



## 6.5.1 Funcionamiento con alarma

- 1 Acceda al menú de configuración de alarma.
- 2 Configure los parámetros de la alarma.
- 3 Seleccione **START**. Wey-TEK Pro vuelve a la pantalla de inicio, se restablece a cero y comienza a pesar. El umbral aparece en la parte inferior de la pantalla.
- 4 Cuando se completa la alarma, la pantalla parpadea en verde y muestra el total de refrigerante transferido. Pulse  para aceptar y borrar la alarma.



### INDICACIÓN

Para cancelarla, pulse  en cualquier momento durante la alarma.



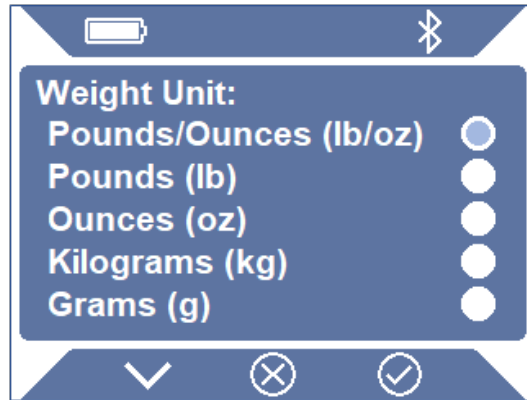
## 6.5.2 Cambio del cilindro de refrigeración/recuperación

Si se activa una alarma y es necesario cambiar el cilindro durante el proceso de carga/recuperación:

- 1 Cierre la válvula del cilindro. La báscula puede tardar un momento en estabilizarse.
- 2 Pulse .
- 3 Cambie el cilindro.
- 4 Pulse . La Wey-TEK Pro recuerda el peso transferido y reanuda la alarma/registro.
- 5 Abra la válvula del cilindro nuevo.

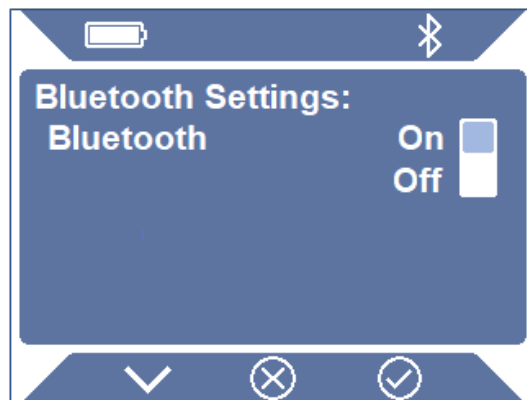
## 6.6 Unidades

El menú de unidades permite configurar las unidades mostradas. Esto también puede hacerse en la pantalla de inicio. Las unidades pueden mostrarse en lb/oz, lb, oz, kg, g. El valor predeterminado es lb/oz.



## 6.7 Bluetooth

El menú Bluetooth permite activar o desactivar la función Bluetooth. El Bluetooth solo es necesario para utilizar la aplicación móvil. Cuando el Bluetooth esté activado, podrá sincronizar su dispositivo móvil en la aplicación. El Bluetooth está activado por defecto.



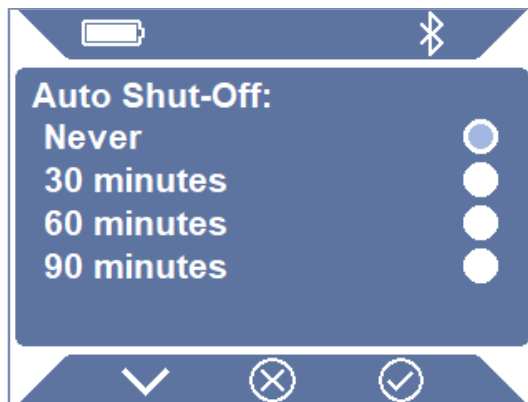
## 6.8 Atenuación de la pantalla

El menú de atenuación de la pantalla permite ahorrar batería atenuando el brillo de la pantalla pasado un tiempo determinado. El tiempo preconfigurado es de 1 minuto.



## 6.9 Apagado automático

El menú de apagado automático le permite modificar el tiempo que tiene que pasar antes de que Wey-TEK Pro se apague por sí sola. El temporizador (no se muestra) se reinicia al pulsar cualquier botón o con cualquier cambio de peso. La configuración por defecto es Nunca.

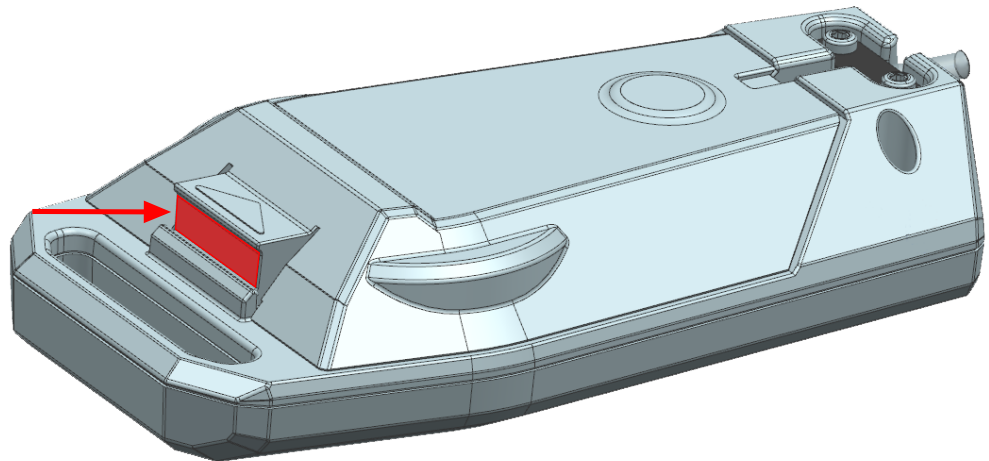




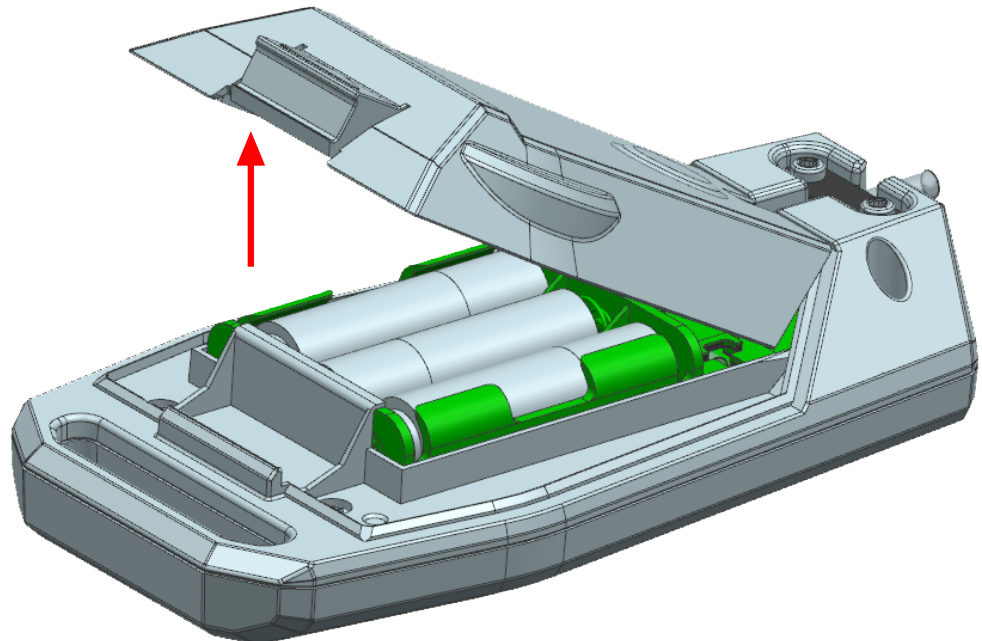
## 7 Sustitución de las pilas

Wey-TEK Pro funciona con tres pilas alcalinas AA. La tapa del compartimento de las pilas se encuentra en la parte posterior del control manual.

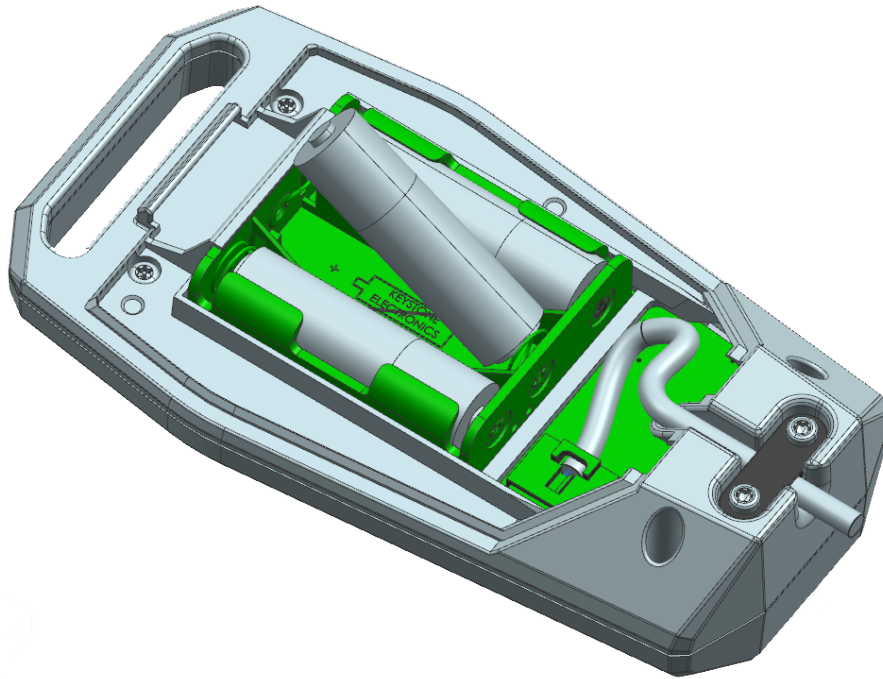
- 1 Dele la vuelta al control manual y presione en la dirección de la flecha en la lengüeta de la tapa de las pilas, debajo del reborde.



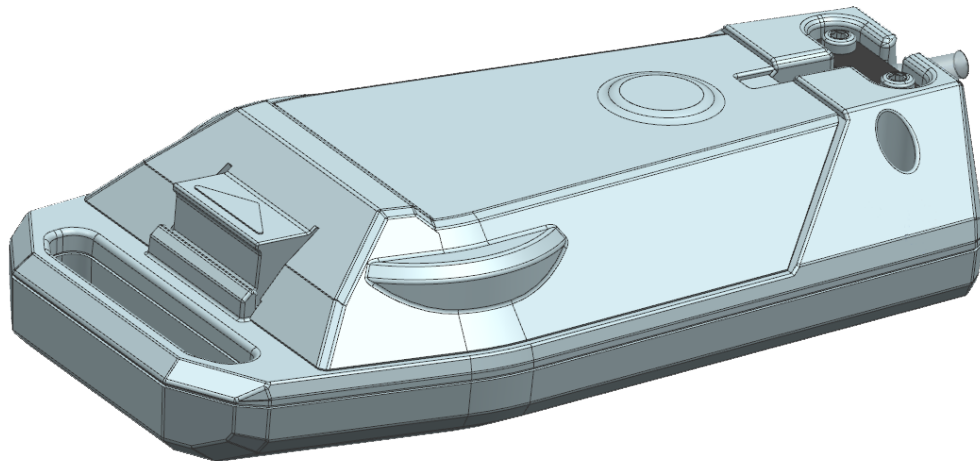
- 2 Retire la tapa de las pilas.



- 3 Retire y cambie las pilas gastadas.



- 4 Vuelva a colocar la tapa de las pilas.



Deseche las pilas alcalinas agotadas de acuerdo con las reglamentaciones estatales y locales aplicables. En ausencia de dichas reglamentaciones, recicle o deseche las pilas mediante un programa voluntario de reciclaje de residuos.

## 8 Aplicación

Descargue la aplicación gratuita de Wey-TEK Pro para su teléfono inteligente o tableta para acceder a funciones adicionales.

La aplicación de Wey-TEK Pro le permite:

- Acceder a las mismas funciones que el control manual
- Configurar alarmas con notificaciones auditivas y visuales
- Guardar y compartir registros de trabajos, incluidas imágenes e información de clientes
- Actualizar el firmware de Wey-TEK Pro

### INDICACIÓN

No es necesario que la báscula esté en modo de emparejamiento para emparejarla con la aplicación.

La aplicación se puede descargar en la App Store® o en Google Play™.



## 9 Correa magnética

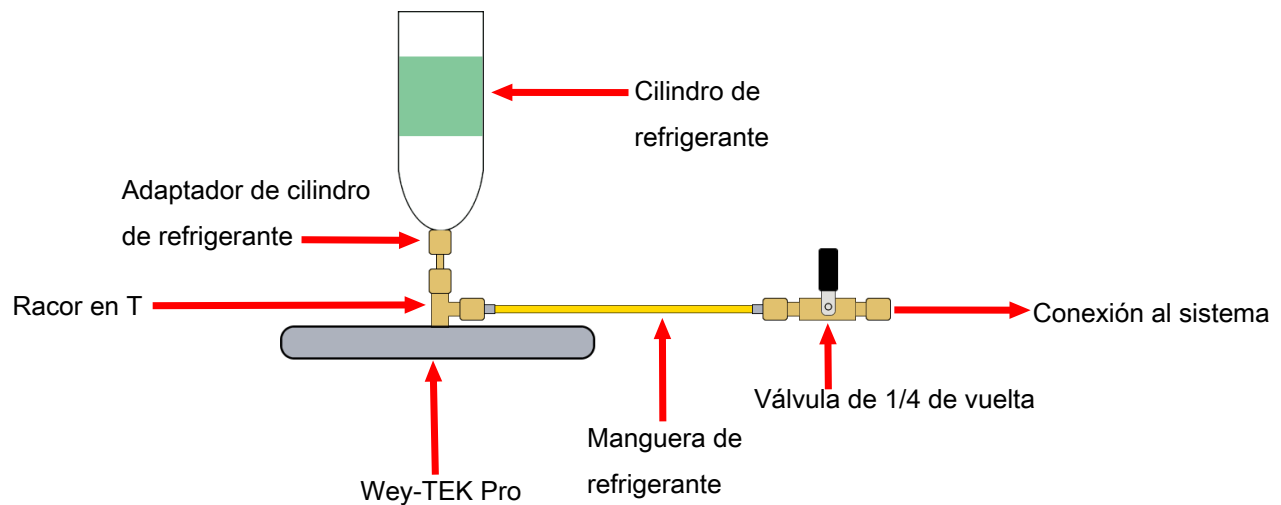
Wey-TEK Pro incluye una correa magnética con la que colgar el control manual para usar con las manos libres. La correa utiliza un cierre de velcro que pasa por la ranura del control manual. Cuelgue el control manual con el imán o enrollando la correa alrededor de una tubería u otro objeto.

## 10 Kit de adaptador de carga pequeño

El kit de adaptador de carga pequeño (referencia 501-601-G1) es un accesorio opcional que le permite unir un pequeño cilindro de refrigerante, común en todos los refrigerantes inflamables A3, a la báscula. Así se mantiene el cilindro bien fijado boca abajo para una recarga fácil.

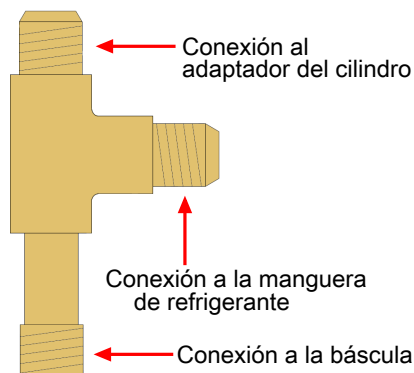
El kit de adaptador de carga pequeño consta de:

- Racor en T con roscas macho 1/4 SAE
- Válvula de 1/4 de vuelta
- Manguera de refrigerante de 18 pulg. (457 mm) con 2 mm de diámetro interior
- Adaptador de cilindro hembra CGA600 a macho 7/16-28 (EN417 Lindal)
- Adaptador de cilindro hembra 7/16-28 (EN417 Lindal) a hembra 1/4 SAE
- Adaptador de cilindro hembra de 1/4 SAE hembra a 1/4 SAE hembra



Para utilizar el kit adaptador:

- 1 Retire el pequeño tapón de plástico de la plataforma de la báscula con un destornillador plano pequeño o una herramienta similar.
- 2 Enrosque el racor en T a la plataforma de la báscula.



- 3 Seleccione el adaptador de depósito adecuado para su cilindro de refrigerante y conéctelo al racor en T.
- 4 Conecte un extremo de la manguera de refrigerante al racor en T y el otro extremo a la válvula de 1/4 de vuelta.
- 5 Con la válvula de 1/4 de vuelta en la posición cerrada, conecte el cilindro de refrigerante al adaptador del depósito de refrigerante.
- 6 Conecte la válvula de 1/4 de vuelta al sistema.
- 7 Abra lentamente la válvula de 1/4 de vuelta para cargar el sistema. Cierre la válvula cuando haya terminado.

## INDICACIÓN

Apriete a mano todos los racores.

# 11 Limpieza y almacenamiento

Wey-TEK Pro se puede limpiar con detergente suave o alcohol isopropílico. Hay que tener cuidado para evitar que entre limpiador en el control manual. No lo limpie con gasolina, acetona ni otros disolventes agresivos, ya que pueden dañar el plástico o la pantalla.

## INDICACIÓN

La plataforma es de aluminio y puede mancharse con ciertos disolventes.

## 12 Sustitución del control manual o del cable

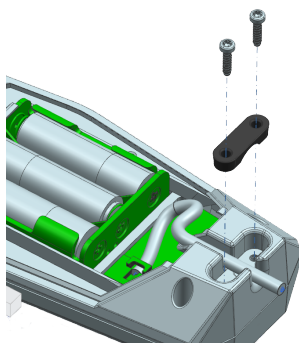
Si el control manual o el cable se estropean, puede cambiarse el control manual (referencia 501-701-G1) o el conjunto de plataforma-cable (referencia 501-702-G1). El cable está conectado a la celda de carga del interior de la plataforma, por lo que deben sustituirse a la vez.



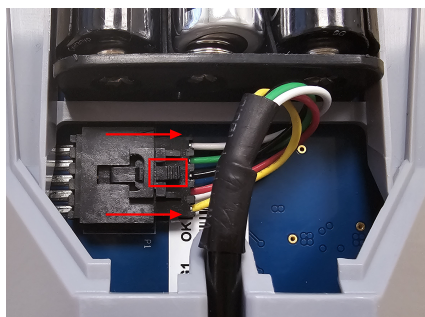
Se recomienda conectarse a tierra antes de sustituirlos para evitar que el control manual se dañe por descarga electrostática.

Para sustituir el control manual o la plataforma/cable:

- 1 Apague Wey-TEK Pro.
- 2 Retire la tapa de las pilas del control manual.
- 3 Retire los dos tornillos del control manual con un destornillador de estrella T10.



- 4 Retire el soporte del cable.
- 5 Presione hacia abajo en el cierre del conector y tire CON CUIDADO del conector para extraerlo de la toma.



- 6 Cambie el control manual o el conjunto de plataforma-cable y vuelva a instalarlos en orden inverso.

### INDICACIÓN

No apriete en exceso los tornillos.



## 13 Piezas de repuesto y accesorios

Kit de adaptador de carga pequeño	501-601-G1
Maletín de transporte de repuesto	501-700-G1
Control manual de recambio (incluye correa magnética)	501-701-G1
Plataforma de recambio con cable	501-702-G1
Correa magnética	501-311-P1
Tapa de recambio para las pilas	501-308-P1

## 14 Limitación de garantía y responsabilidad

INFICON garantiza el instrumento frente a defectos de materiales o de fabricación durante uno o dos años (dependiendo de la región) a partir de la fecha de compra. INFICON no garantiza aquellos componentes que se deterioran con el uso normal, incluidas pilas, baterías, sensores y filtros. Además, INFICON no garantizará ningún dispositivo que haya sido objeto de uso indebido, negligencia o accidente, o que haya sido reparado o modificado por cualquier persona o empresa que no sea INFICON. La responsabilidad de INFICON se limita a los dispositivos devueltos a INFICON, a portes prepagados, en un plazo máximo de treinta (30) días tras la fecha de vencimiento de la garantía, y que INFICON considere que presentan defectos de materiales o fabricación. La responsabilidad de INFICON queda limitada a reparar o sustituir, a su elección, el instrumento o la pieza defectuosos. Esta garantía sustituye a cualquier otra garantía, explícita o implícita, tanto de COMERCIALIZACIÓN como de IDONEIDAD PARA UN FIN PARTICULAR u otras. Se excluye expresamente cualquier otra garantía. INFICON no será responsable del importe adicional abonado a INFICON por el dispositivo más los portes prepagados para su devolución. INFICON no será responsable de ningún daño o perjuicio fortuito ni indirecto. Se la EXIME de toda responsabilidad en ese sentido.

# Table des matières

<b>1</b>	<b>Clause de non-responsabilité et droits d'auteur .....</b>	<b>52</b>
<b>2</b>	<b>Mises en garde et avertissements .....</b>	<b>53</b>
<b>3</b>	<b>Caractéristiques .....</b>	<b>54</b>
<b>4</b>	<b>Wey-TEK Pro.....</b>	<b>55</b>
<b>5</b>	<b>Présentation de l'écran et symboles .....</b>	<b>56</b>
<b>6</b>	<b>Fonctionnement .....</b>	<b>58</b>
6.1	Pour commencer.....	58
6.2	Mise en marche de l'instrument/préparation à l'utilisation.....	58
6.3	Pesée/Écran d'accueil.....	59
6.4	Menu Réglages .....	60
6.5	Alarmes .....	61
6.5.1	Fonctionnement avec une alarme.....	62
6.5.2	Remplacement de la bouteille de réfrigérant/récupération .....	62
6.6	Unités .....	63
6.7	Bluetooth .....	63
6.8	Gradation de la luminosité de l'écran .....	64
6.9	Arrêt automatique.....	64
<b>7</b>	<b>Remplacement des piles .....</b>	<b>65</b>
<b>8</b>	<b>Appli .....</b>	<b>67</b>
<b>9</b>	<b>Bande magnétique .....</b>	<b>68</b>
<b>10</b>	<b>Kit d'adaptateur pour petite charge.....</b>	<b>69</b>
<b>11</b>	<b>Nettoyage et stockage .....</b>	<b>71</b>
<b>12</b>	<b>Remplacement de la télécommande ou du cordon .....</b>	<b>72</b>
<b>13</b>	<b>Pièces de rechange et accessoires .....</b>	<b>73</b>
<b>14</b>	<b>Garantie et limites de responsabilité.....</b>	<b>74</b>

# 1 Clause de non-responsabilité et droits d'auteur

## Clause de non-responsabilité

Les informations contenues dans ce manuel sont réputées exactes et fiables. Cependant, INFICON n'assume aucune responsabilité quant à leur utilisation et ne peut être tenu responsable de tout dommage spécial, accidentel ou consécutif lié à l'utilisation de ce produit.

Compte tenu de notre programme d'amélioration en continu des produits, les caractéristiques sont susceptibles d'être modifiées sans préavis.

## Droits d'auteur

©2024 Tous droits réservés.

La reproduction ou l'adaptation sans autorisation de toute partie de ce document est illégale.

Wey-TEK est une marque déposée d'INFICON.

Apple, le logo Apple et iPhone sont des marques déposées d'Apple Inc. aux États-Unis et dans d'autres pays. App Store est une marque de service d'Apple Inc.

Google Play et le logo Google Play sont des marques déposées de Google LLC.

La marque et les logos Bluetooth® sont des marques déposées appartenant à Bluetooth SIG, Inc. et toute utilisation de ces marques par INFICON se fait sous licence.

Les autres marques et noms commerciaux sont ceux de leurs propriétaires respectifs.

## 2 Mises en garde et avertissements

Lorsque vous utilisez ce manuel, veuillez prêter attention aux Remarques, aux Mises en garde et aux Avertissements qui y figurent. Dans ce manuel, ils sont définis comme suit :



### **AVERTISSEMENT**

**Le non-respect de ces messages peut entraîner des blessures.**



### **ATTENTION**

**Le non-respect de ces messages peut entraîner de mauvaises performances du Wey-TEK Pro.**



### **CAUTION**

Si l'équipement est utilisé d'une manière non spécifiée par les informations contenues dans ce manuel d'instructions, la protection fournie par l'équipement peut être altérée.



Ces informations sont pertinentes et utiles pour obtenir une efficacité maximale du Wey-TEK Pro lorsqu'elles sont respectées.

Cet équipement a été testé et déclaré conforme aux limites imposées aux appareils numériques de classe A, conformément à la partie 15 des réglementations de la FCC. Ces limites sont conçues afin de fournir une protection raisonnable contre les interférences nuisibles lorsque l'équipement est utilisé dans un environnement commercial. Cet équipement génère, utilise et peut émettre de l'énergie radio électrique et, en cas d'installation et d'utilisation non conformes au manuel d'instructions, peut provoquer des interférences nuisibles aux communications radio. L'utilisation de cet équipement dans une zone résidentielle est susceptible de générer des interférences nuisibles, auquel cas l'utilisateur sera tenu d'y remédier à ses propres frais.

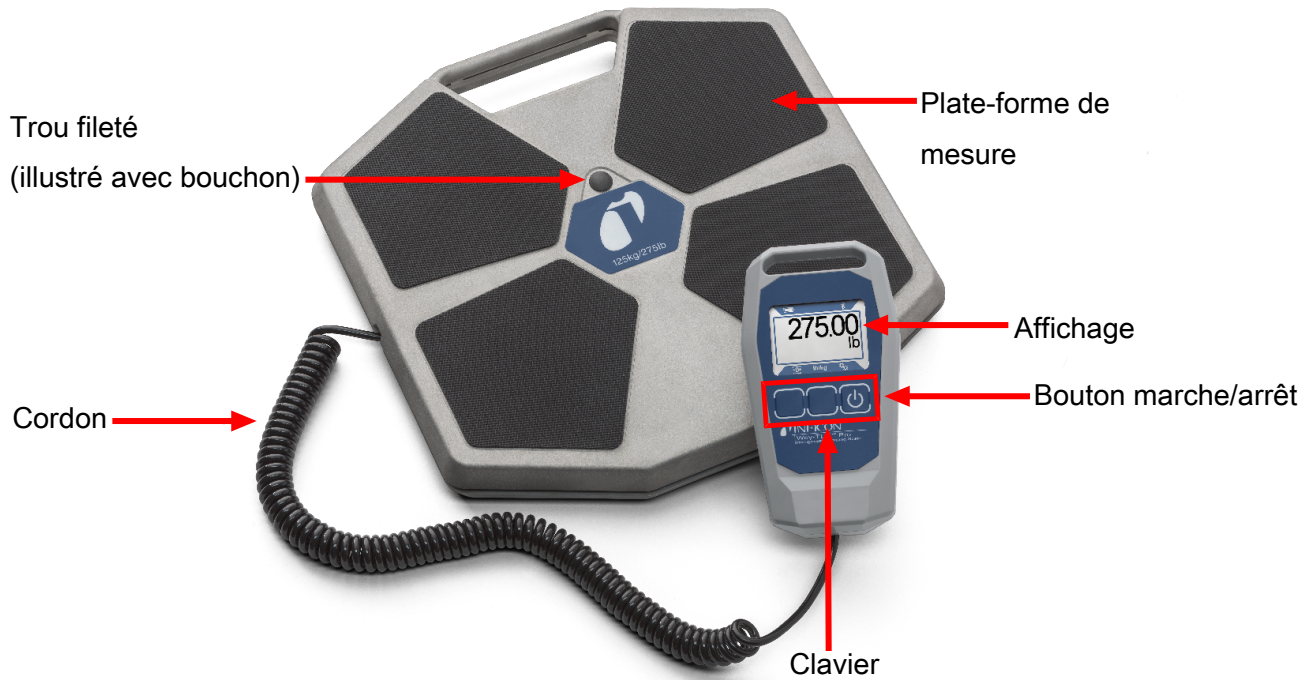
## 3 Caractéristiques

Utilisation	À l'intérieur ou à l'extérieur
Capacité de poids	125 kg (275 lb)
Précision	± 0,06 % de la lecture ou ±3g (0,1 oz) (quel que soit le plus grand)
Résolution d'affichage	g: 3 g oz: 0,1 oz lb: 0,01 lb lb/oz: 0.02 oz kg: 0,01 kg
Température de fonctionnement	-18 à 50 °C (0 à 122 °F)*
Température de stockage	-30 à 80 °C (-22 à 176 °F)
Humidité	85 % HR à 45 °C (113 °F), sans condensation
Altitude	2 000 m (6 500 pi)
Alimentation électrique	3 piles alcalines AA
Durée de vie des piles	Selon les réglages de gradation Sans gradation : ~30 heures Avec gradation permanente : ~150 heures
Indice de protection IP	IP44
Niveau de pollution	3
Catégorie de surtension	II
Poids (dont piles)	2 880 g (6,35 lb)
Dimensions de la plateforme (L x l x H)	29,1 x 29,1 x 3,7 cm (11,5 x 11,5 x 1,5 in.)
Longueur du cordon	~ 50,3 cm (19,8 in) enroulé ~ 262 cm (103 in.) déroulé

\*L'utilisation en dessous de 0°C doit être limitée. La précision peut varier à des températures inférieures à -10 °C.

## 4 Wey-TEK Pro

Le Wey-TEK Pro est une balance de haute précision conçue pour être utilisée dans les applications HVAC/R afin de peser le réfrigérant lors de la récupération ou de la charge des systèmes de climatisation ou de réfrigération. La balance peut être utilisée avec la télécommande jointe, ou avec un téléphone ou une tablette, à l'aide de l'application téléchargeable gratuitement.



## 5 Présentation de l'écran et symboles

Le Wey-TEK utilise l'écran d'affichage pour tous les indicateurs et informations. L'affichage se compose d'une barre supérieure, de l'écran principal et d'une barre inférieure.



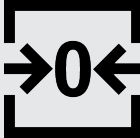










**Barre supérieure** : la barre supérieure comprend le symbole de la batterie et l'état du Bluetooth.

Symbole	Description
	Niveau de charge de la batterie compris entre 75 et 100 %
	Niveau de charge de la batterie compris entre 50 et 74 %
	Niveau de charge de la batterie compris entre 30 et 49 %
	Niveau de charge de la batterie compris entre 10 et 29 %
	Charge de la batterie extrêmement faible, <10 %
	Bluetooth activé
	Un appareil Bluetooth est connecté

**Écran principal** : l'écran principal affiche les informations pertinentes pour l'écran actuel. Le Wey-TEK Pro démarre sur l'écran d'accueil et affiche le poids actuel et les unités. Il affiche également des indicateurs pertinents en cas d'alarme ou de protocole en cours.



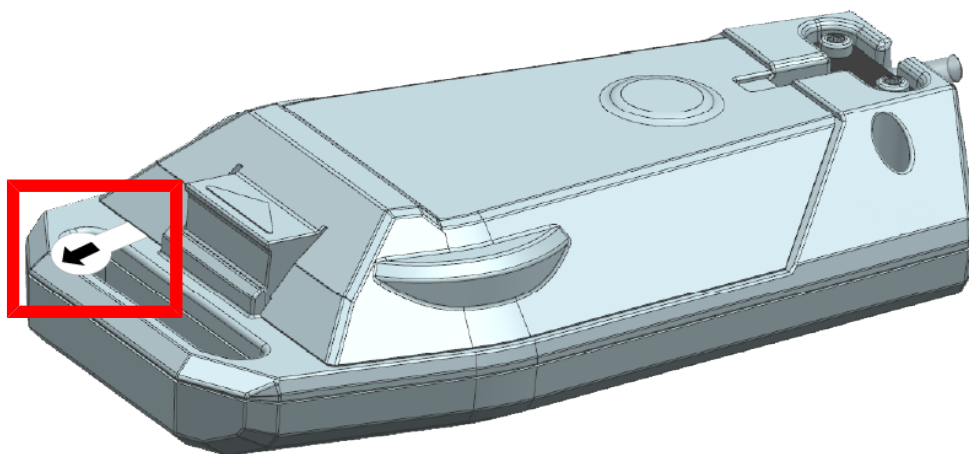
**Barre inférieure** : la barre inférieure affiche les options des trois fonctions du clavier. Ces fonctions changent en fonction de l'écran et de la sélection en cours. Le tableau ci-dessous présente les différentes icônes et leurs fonctions respectives.

Symbole	Description
	Réinitialiser/tarer le poids
lb/kg	Faire défiler les unités d'affichage (lb/oz, lb, oz, kg, g)
	Accéder au menu des réglages
	Faire défiler les options
	Mettre en surbrillance le prochain réglage disponible
	Augmenter le chiffre en surbrillance
	Déplacer le curseur vers le chiffre suivant, maintenir pour réinitialiser le seuil
	Accéder au menu ou au sous-menu des réglages sélectionné ; accepter et enregistrer un changement de réglage ; accepter une alarme acquittée ; démarrer une alarme
	Annuler le changement : annuler une alarme
	Revenir à l'écran d'accueil
	Mettre en pause l'alarme actuelle
	Reprendre une alarme en cours de pause

## 6 Fonctionnement

### 6.1 Pour commencer

Le Wey-TEK Pro est livré avec trois piles alcalines AA déjà installées. Avant d'allumer le Wey-TEK Pro pour la première fois, vous devez retirer le ruban isolant du compartiment des piles de la télécommande. Saisissez fermement le ruban isolant et tirez-le vers le haut de la télécommande pour le retirer.



### 6.2 Mise en marche de l'instrument/préparation à l'utilisation

Appuyez longuement sur le bouton d'alimentation (le bouton le plus à droite de la télécommande) pour allumer ou éteindre le Wey-TEK Pro. Le Wey-TEK Pro affiche brièvement la version du micrologiciel au démarrage, puis passe à l'écran d'accueil.

#### AVIS

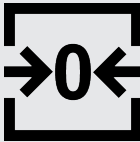

Si l'écran n'apparaît pas, les piles sont déchargées et doivent être remplacées. Reportez-vous à la section Remplacement des piles [▶ 65].

## 6.3 Pesée/Écran d'accueil

Le Wey-TEK Pro démarre automatiquement sur l'écran d'accueil et affiche immédiatement le poids en temps réel. Placez un réservoir ou un autre objet sur le plateau de la balance pour le peser. Si une alarme est définie, le seuil s'affiche en bas de l'écran principal.








Sur l'écran d'accueil, appuyez sur les boutons correspondants du clavier pour effectuer les actions suivantes :

Symbole	Description
	Réinitialiser/tarer le poids
lb/kg	Faire défiler les unités d'affichage (lb/oz, lb, oz, kg, g)
	Accéder au menu des réglages

## 6.4 Menu Réglages

Utilisez le clavier dans le menu Réglages pour sélectionner et saisir les réglages de fonctions spécifiques. Le sous-menu actuellement sélectionné est surligné en bleu foncé.



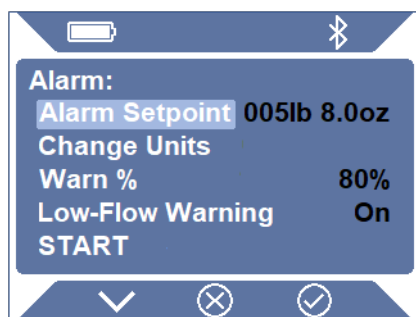
Symbole	Description
	Menu Réglages des alarmes - régler les alarmes en fonction du poids
<b>lb/kg</b>	Menu Réglages des unités - modifier les unités d'affichage
	Menu Réglages Bluetooth - activer ou désactiver le Bluetooth
	Menu Réglages de la gradation de la luminosité de l'écran – choisir de diminuer ou non la luminosité de l'écran pour prolonger l'autonomie des piles
	Menu Réglage de l'arrêt automatique - choisir si la balance doit s'arrêter automatiquement après un certain temps
	Menu Info/À propos de - afficher des informations de base sur la balance, y compris la version du micrologiciel, l'adresse MAC et les informations FCC

## 6.5 Alarmes

Le Wey-TEK Pro peut définir des alarmes basées sur un seuil de poids. Cela peut servir à la récupération ou à la recharge des réfrigérants. Les alarmes sont réglées dans le menu Réglages d'alarme.

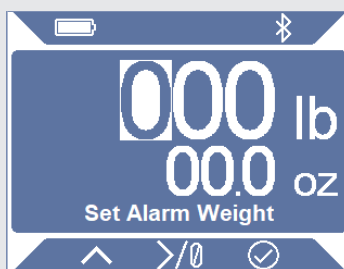
### AVIS

La télécommande du Wey-TEK Pro n'est pas équipée d'alarmes sonores. Les alarmes sont uniquement visuelles. Pour les alarmes sonores, téléchargez l'application Wey-TEK Pro. Voir .




L'écran des réglages de l'alarme affiche les réglages actuels liés à l'alarme et vous permet d'accéder à des sous-menus pour modifier ces réglages.


Seuil d'alarme	Sélectionnez ce menu pour modifier le poids du seuil.
Modifier les unités	Permet de modifier les unités. Les options sont <b>lb/oz, lb, oz, kg</b> ou <b>g</b> .  REMARQUE : le changement des unités remet le seuil d'alarme à zéro.
Avertir %	Sélectionnez un pourcentage du seuil d'alarme à partir duquel vous serez averti lorsque vous approchez de votre poids d'alarme. Les options sont <b>Désactivé, 70 %, 80 %</b> ou <b>90 %</b> .
Avertissement de faible débit	Activez ce réglage pour obtenir un avertissement visuel si le poids a changé de moins de 30 g en deux minutes.
START	Démarre l'alarme.



## 6.5.1 Fonctionnement avec une alarme

- 1 Accédez au menu des réglages des alarmes.
- 2 Réglez les réglages de l'alarme.
- 3 Sélectionnez **START**. Le Wey-TEK Pro revient à l'écran d'accueil, réinitialise tout et commence la pesée. Le seuil est affiché vers le bas de l'écran.
- 4 Lorsque l'alarme est acquittée, l'écran clignote en vert et affiche le volume total de réfrigérant transféré. Appuyez sur  pour accepter et supprimer l'alarme.



### AVIS

Pour annuler une alarme, appuyez sur  à tout moment pendant l'alarme.



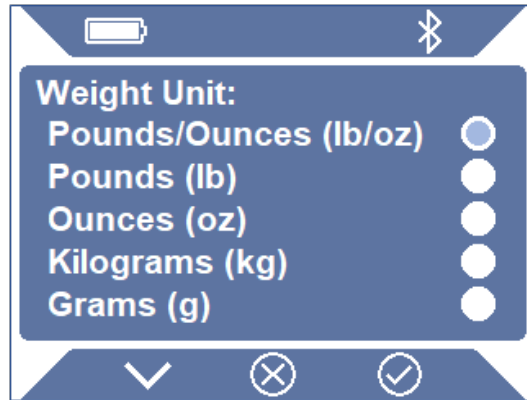
## 6.5.2 Remplacement de la bouteille de réfrigérant/récupération

Si une alarme est déclenchée et que la bouteille doit être changée pendant le processus de charge/récupération :

- 1 Fermez le robinet de la bouteille. La balance peut prendre un moment pour se stabiliser.
- 2 Appuyez sur .
- 3 Remplacez la bouteille.
- 4 Appuyez sur . Le Wey-TEK Pro mémorise le poids transféré et reprend l'alarme/le protocole.
- 5 Ouvrez le robinet de la nouvelle bouteille.

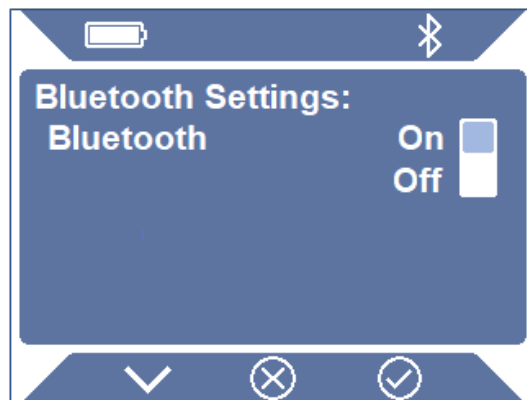
## 6.6 Unités

Le menu Unités permet de définir les unités affichées. Cette opération peut également être effectuée depuis l'écran d'accueil. Les unités peuvent être affichées en lb/oz, lb, oz, kg, g. La valeur par défaut est lb/oz.



## 6.7 Bluetooth

Le menu Bluetooth vous permet d'activer ou de désactiver le Bluetooth. Le Bluetooth est uniquement nécessaire pour utiliser l'application mobile. Lorsque le Bluetooth est activé, vous pouvez appairer votre appareil mobile dans l'application. Le réglage Bluetooth par défaut est Activé.



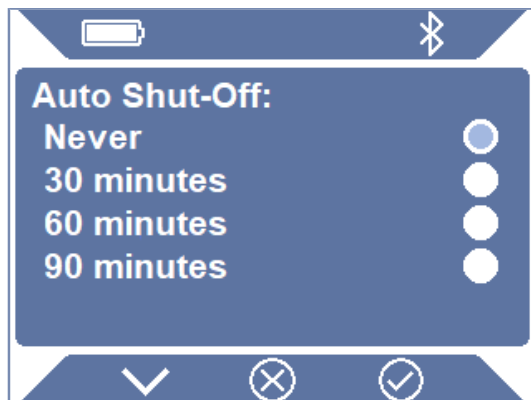
## 6.8 Gradation de la luminosité de l'écran

Le menu de gradation de la luminosité de l'écran vous permet d'économiser les piles en réduisant la luminosité de l'écran après un certain laps de temps. Le réglage par défaut est de 1 minute.



## 6.9 Arrêt automatique

Le menu Arrêt automatique vous permet de modifier la durée avant que le Wey-TEK Pro ne s'éteigne de lui-même. La minuterie (non affichée) se réinitialise à chaque pression de bouton ou changement de poids. La valeur par défaut est Jamais.

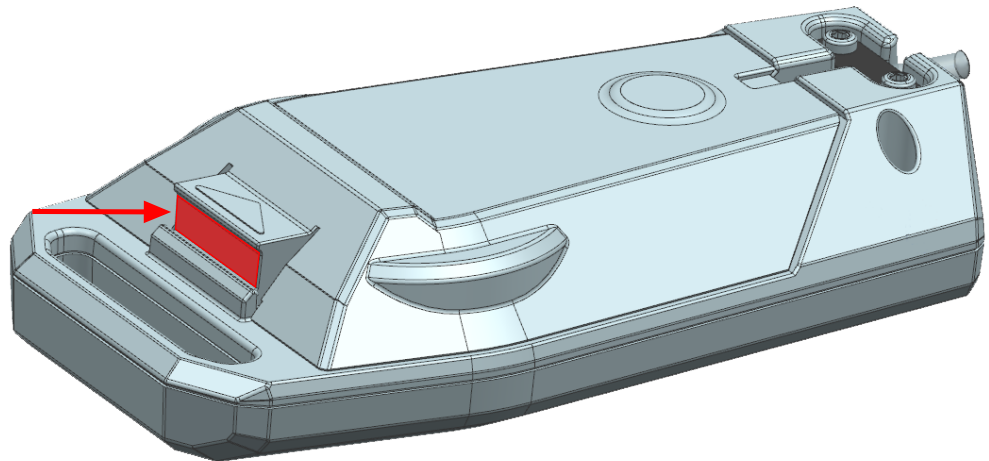




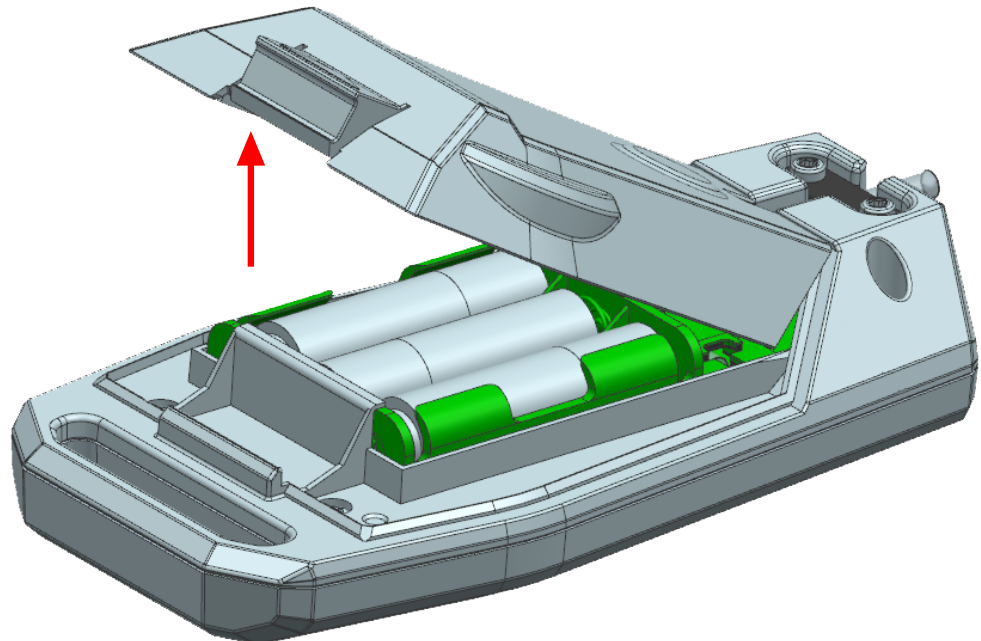
## 7 Remplacement des piles

Le Wey-TEK Pro fonctionne avec trois piles alcalines AA. Le couvercle du logement des piles se trouve à l'arrière de la télécommande.

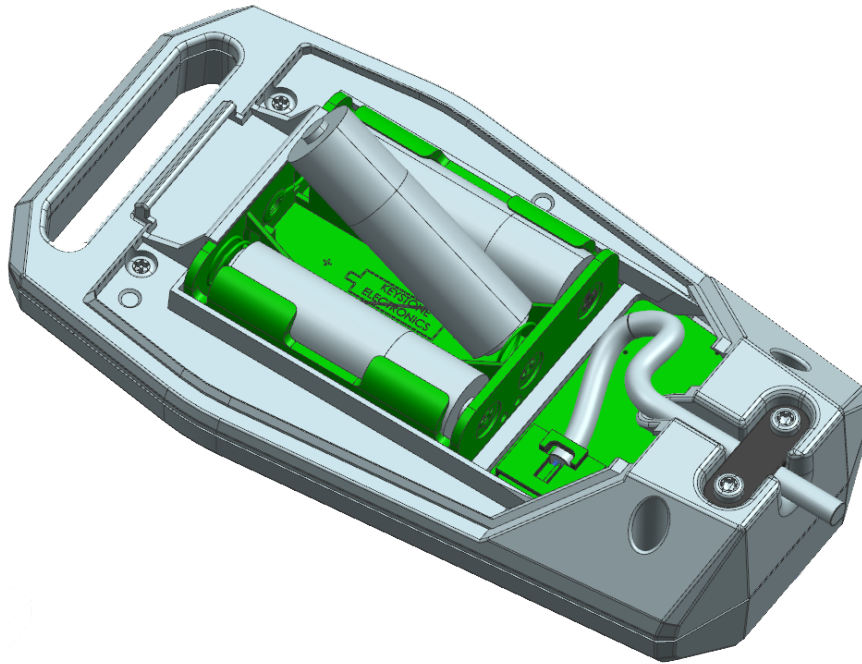
- 1 Retournez la télécommande et appuyez dans le sens de la flèche sur le loquet du logement des piles, sous le rebord.



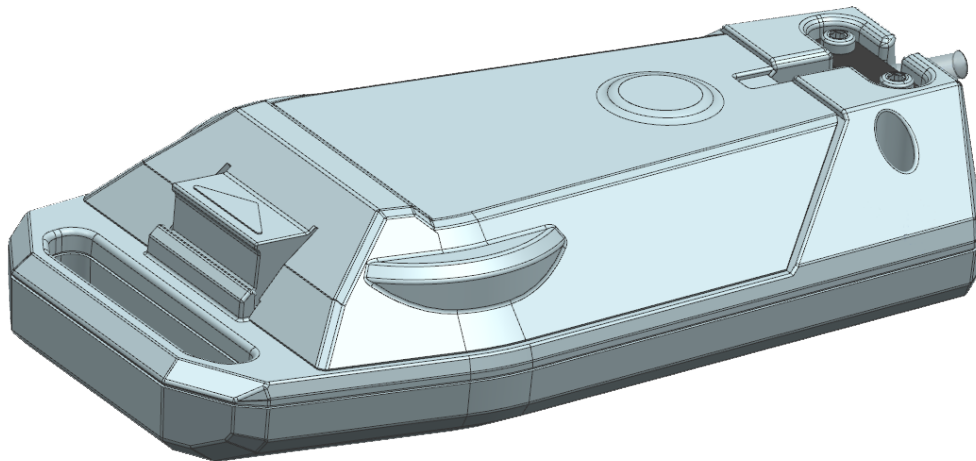
- 2 Retirez le couvercle des piles.



- 3 Retirez et remplacez les piles usagées.



- 4 Remettez en place le couvercle des piles.



Mettez au rebut les piles alcalines usagées dans le respect des réglementations nationales et locales en vigueur. En l'absence de telles réglementations, recyclez et/ou mettez les piles au rebut dans le cadre d'un programme volontaire de recyclage des déchets.

## 8 Appli

Téléchargez l'appli gratuite Wey-TEK Pro sur votre smartphone ou votre tablette pour profiter de fonctions supplémentaires.

L'appli Wey-TEK Pro vous permet :

- d'accéder aux mêmes fonctions que celles de la télécommande
- de régler des alarmes avec des notifications sonores et visuelles
- d'enregistrer et de partager des journaux de tâches, y compris des images et des informations client
- de mettre à jour le micrologiciel Wey-TEK Pro

---

### AVIS

La balance n'a pas besoin d'être en mode d'appairage pour s'appairer avec l'appli.

---

L'appli peut être téléchargée depuis l'App Store® ou Google Play™.



## 9 Bande magnétique

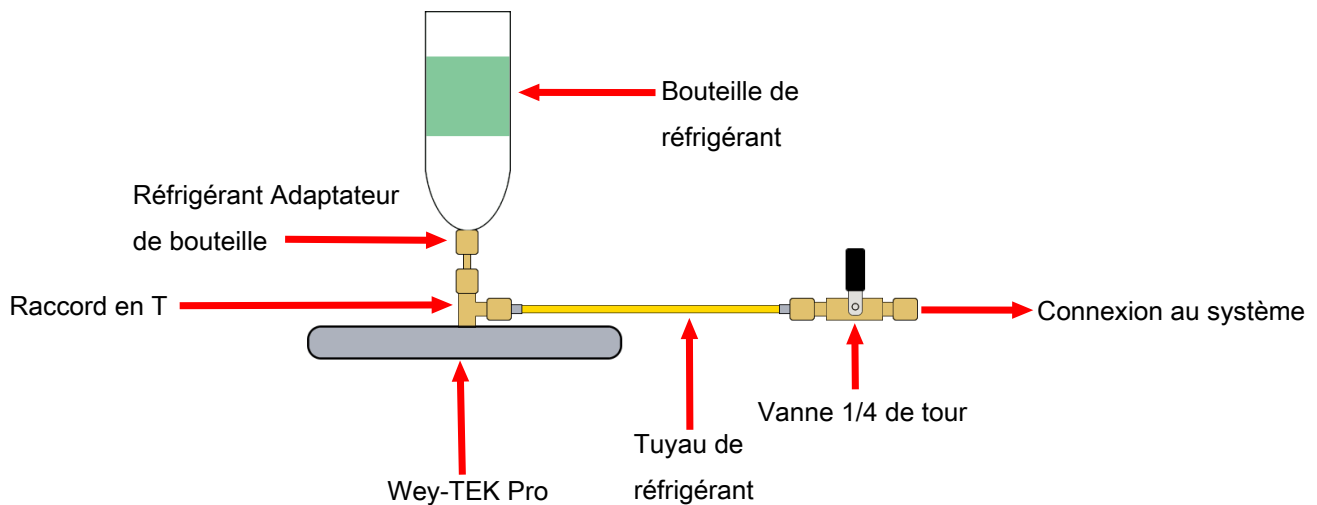
Le Wey-TEK Pro comprend une bande magnétique permettant de suspendre la télécommande pour une utilisation mains libres. Cette bande est dotée d'une fermeture à boucle et à crochet et passe dans la fente de la télécommande. Suspendez la télécommande à l'aide de l'aimant ou en passant la sangle autour d'un tuyau ou d'un autre objet.

## 10 Kit d'adaptateur pour petite charge

Le kit d'adaptateur pour petite charge (référence 501-601-G1) est un accessoire en option qui vous permet de fixer à la balance une petite bouteille de réfrigérant, commune aux réfrigérants inflammables A3. Il permet de maintenir la bouteille à l'envers en toute sécurité pour faciliter la charge.

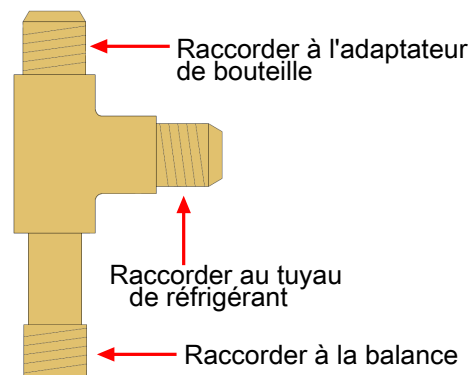
Le kit d'adaptation pour petite charge inclut :

- Raccord en T avec filetage mâle 1/4 SAE
- Vanne 1/4 de tour
- Tuyau de réfrigérant de 457 mm (18 in.) d'un diamètre interne de 2 mm
- Adaptateur de bouteille CGA600 femelle vers 7/16-28 (EN417 Lindal) mâle
- Adaptateur de bouteille femelle 7/16-28 (EN417 Lindal) vers 1/4 SAE femelle
- Adaptateur de bouteille 1/4 SAE femelle vers 1/4 SAE femelle



Pour utiliser le kit d'adaptation :

- 1 Retirez le petit bouchon en plastique de la plateforme de pesée à l'aide d'un petit tournevis plat ou d'un outil similaire.
- 2 Vissez le raccord en T dans la plateforme de pesée.



- 3 Sélectionnez l'adaptateur de réservoir approprié pour votre bouteille de réfrigérant et fixez-le au raccord en T.
- 4 Fixez une extrémité du tuyau de réfrigérant au raccord en T et l'autre extrémité à la vanne 1/4 de tour.
- 5 Avec la vanne 1/4 de tour en position fermée, fixez la bouteille de réfrigérant à l'adaptateur du réservoir de réfrigérant.
- 6 Fixez la vanne 1/4 de tour au système.
- 7 Ouvrez lentement la vanne 1/4 de tour pour charger le système. Fermez la vanne lorsque une fois terminé.

## AVIS

Serrez tous les raccords à la main.

# 11 Nettoyage et stockage

Le Wey-TEK Pro peut être nettoyé avec un détergent doux ou de l'alcool isopropylique. Des précautions doivent être prises pour empêcher la pénétration de liquide de nettoyage dans la télécommande. Ne la nettoyez pas avec de l'essence, de l'acétone ni avec d'autres solvants agressifs susceptibles d'endommager le plastique ou l'écran.

---

## AVIS

La plateforme est en aluminium et peut être tachée par certains solvants.

---

## 12 Remplacement de la télécommande ou du cordon

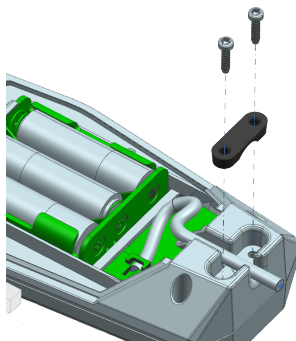
Si la télécommande ou le cordon sont endommagés, il est possible de remplacer la télécommande (PN 501-701-G1) ou l'ensemble plateforme/cordon (PN 501-702-G1). Le cordon est relié à la cellule de charge à l'intérieur de la plateforme, ils doivent donc être remplacés simultanément.



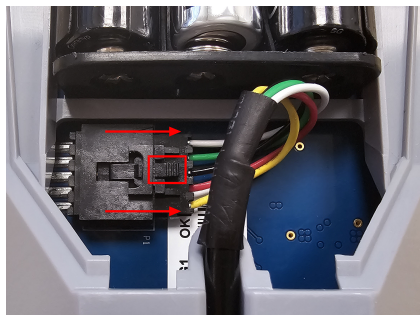
Il est recommandé de se mettre à la terre avant d'effectuer le remplacement afin d'éviter d'endommager la télécommande par des décharges électrostatiques.

Pour remplacer la télécommande ou la plateforme/le cordon :

- 1 Éteignez le Wey-TEK Pro.
- 2 Retirez le couvercle du logement des piles de la télécommande.
- 3 Retirez les deux vis de la télécommande à l'aide d'un tournevis étoile T10.



- 4 Retirez le support de cordon.
- 5 Appuyez sur le verrou du connecteur et retirez AVEC PRÉCAUTION le connecteur de la prise.



- 6 Remplacez la télécommande ou l'ensemble plateforme/cordon et remontez le tout dans l'ordre inverse.

### AVIS

Ne serrez pas excessivement les vis.



## 13 Pièces de rechange et accessoires

Kit d'adaptateur pour petite charge	501-601-G1
Mallette de transport de rechange	501-700-G1
Télécommande de rechange (avec bande magnétique)	501-701-G1
Plateforme de pesée de rechange avec câble	501-702-G1
Bande magnétique	501-311-P1
Couvercle des piles de rechange	501-308-P1

## 14 Garantie et limites de responsabilité

INFICON garantit l'absence de tout défaut matériel ou de fabrication de votre instrument pendant un ou deux ans (selon la région) à partir de la date d'achat. La garantie accordée par INFICON ne couvre pas les éléments sujets à l'usure dans le cadre de l'utilisation normale tels que les piles, capteurs et filtres. De plus, INFICON ne garantit aucun instrument ayant fait l'objet d'une utilisation abusive, de négligence ou d'un accident, ou ayant été réparé ou modifié par toute autre entité qu'INFICON. La responsabilité d'INFICON se limite aux instruments renvoyés à INFICON, port prépayé, au plus tard trente (30) jours après l'expiration de la période de garantie, et jugés par INFICON comme ayant connu un dysfonctionnement en raison d'un défaut matériel ou de fabrication. La responsabilité d'INFICON est limitée, à sa convenance, à la réparation ou au remplacement de l'instrument ou de la pièce présentant un défaut. Cette garantie remplace l'ensemble des autres garanties, expresses ou implicites, de QUALITÉ MARCHANDE, d'ADÉQUATION POUR UN USAGE DÉFINI ou de tout autre type. De telles garanties d'un autre type sont toutes expressément exclues. Les responsabilités d'INFICON se limitent au prix payé à INFICON pour l'instrument plus les frais de port de retour prépayés. INFICON décline toute responsabilité en cas de dommages indirects ou consécutifs. Toute responsabilité de ce type est EXCLUE.

# Inhalt

<b>1 Haftungsausschluss und Copyright</b> .....	<b>76</b>
<b>2 Vorsichtshinweise und Warnungen</b> .....	<b>77</b>
<b>3 Technische Daten</b> .....	<b>78</b>
<b>4 Wey-TEK Pro</b> .....	<b>79</b>
<b>5 Bildschirmlayout und Symbole</b> .....	<b>80</b>
<b>6 Bedienung</b> .....	<b>82</b>
6.1 Erste Schritte.....	82
6.2 Einschalten des Geräts und Vorbereitung zur Verwendung .....	82
6.3 Wiege-/Startbildschirm .....	83
6.4 Einstellungsmenü .....	84
6.5 Alarmer.....	85
6.5.1 Betrieb mit Alarm .....	86
6.5.2 Austausch des Kältemittel-/Rückgewinnungszyinders .....	87
6.6 Einheiten .....	87
6.7 Bluetooth .....	88
6.8 Bildschirmabdunklung .....	88
6.9 Automatische Abschaltung.....	89
<b>7 Ersetzen der Batterien</b> .....	<b>90</b>
<b>8 App</b> .....	<b>92</b>
<b>9 Magnetflasche</b> .....	<b>93</b>
<b>10 Kleinlast-Adapter-Kit</b> .....	<b>94</b>
<b>11 Reinigung und Aufbewahrung</b> .....	<b>96</b>
<b>12 Auswechseln der Handsteuerung oder des Kabels</b> .....	<b>97</b>
<b>13 Ersatzteile und Zubehör</b> .....	<b>98</b>
<b>14 Garantie und Haftungsbeschränkung</b> .....	<b>99</b>

# 1 Haftungsausschluss und Copyright

## Haftungsausschluss

Die in diesem Handbuch enthaltenen Informationen sind nach unserem besten Wissen und Gewissen korrekt und zuverlässig. INFICON übernimmt jedoch keine Verantwortung für ihre Nutzung und ist nicht haftbar für irgendwelche konkreten Schäden, Nebenschäden oder Folgeschäden, die aus der Verwendung dieses Produkts entstehen.

Aufgrund laufender Produktverbesserungen können sich Spezifikationen ohne vorherige Ankündigung ändern.

## Copyright

©2024 Alle Rechte vorbehalten.

Die Vervielfältigung oder Bearbeitung von Teilen dieses Dokuments ohne vorherige Genehmigung ist unzulässig.

Wey-TEK ist eine eingetragene Marke von INFICON.

Apple, das Apple-Logo und iPhone sind in den USA und anderen Ländern eingetragene Marken von Apple Inc. App Store ist eine Servicemarke von Apple Inc.

Google Play und das Google Play-Logo sind Marken von Google LLC.

Die Bluetooth®-Wortmarke und -Logos sind eingetragene Marken von Bluetooth SIG, Inc; die Verwendung dieser Marken durch INFICON erfolgt unter Lizenz.

Andere Marken und Markennamen sind Eigentum der jeweiligen Besitzer.

## 2 Vorsichtshinweise und Warnungen

Bitte beachten Sie bei der Benutzung dieses Handbuchs die Hinweise, Vorsichtsmaßnahmen und Warnungen. Für die Zwecke dieses Handbuchs gelten die folgenden Definitionen:



### **WARNUNG**

Die Nichtbeachtung dieser Hinweise kann zu Personenschäden führen.



### **VORSICHT**

Die Nichtbeachtung dieser Hinweise kann eine Leistungsminderung von Wey-TEK Pro zur Folge haben.



### **CAUTION**

Wenn das Gerät auf eine Art und Weise verwendet wird, die nicht in den Informationen in dieser Bedienungsanleitung angegeben ist, kann der durch das Gerät gebotene Schutz beeinträchtigt werden.



Nützliche Informationen für den optimalen Einsatz von Wey-TEK Pro.

Dieses Gerät wurde auf Einhaltung der Grenzwerte für ein digitales Gerät der Klasse A gemäß Teil 15 der FCC-Vorschriften getestet. Diese Grenzwerte sollen einen angemessenen Schutz gegen schädliche Störstrahlungen gewährleisten, wenn das Gerät in einer Gewerbeumgebung betrieben wird. Dieses Gerät erzeugt und nutzt Hochfrequenzenergie und kann diese ausstrahlen. Bei unsachgemäßer Installation und Verwendung können Funkstörungen auftreten. Der Betrieb des Gerätes im Wohnumfeld kann Funkstörungen verursachen. In diesem Fall ist der Benutzer verpflichtet, die Störungen auf eigene Kosten zu beseitigen.

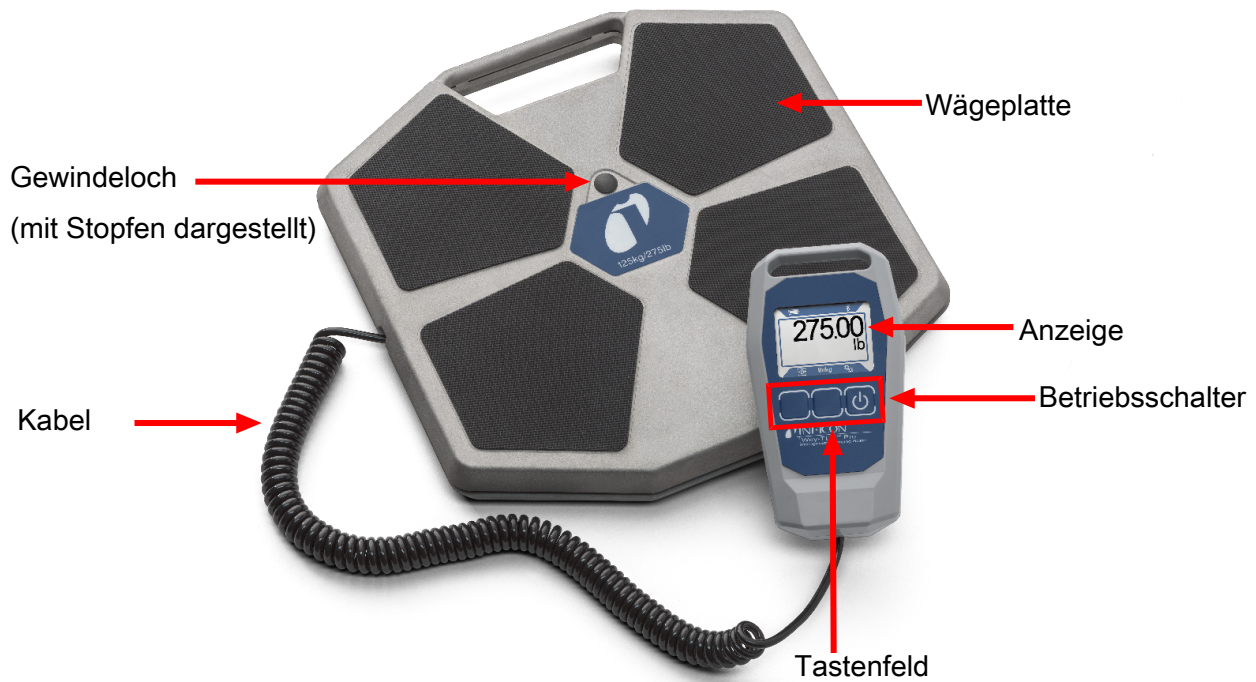
## 3 Technische Daten

Einsatzbereich	Innen- oder Außenbereich
Gewichtskapazität	125 kg
Genauigkeit	$\pm 0,06$ % des Messwerts oder $\pm 3$ g (der größere Wert gilt)
Anzeigeauflösung	g: 3 g oz: 0,1 oz lb: 0,01 lb lb/oz: 0,02 oz kg: 0,01 kg
Betriebstemperatur	-18 bis 50 °C*
Lagertemperatur	-30 bis 80 °C
Luftfeuchtigkeit	85 % rel. LF bei 45 °C, nicht kondensierend
Höhe ü.d.M.	2000 m
Stromversorgung	3 AA-Alkalibatterien
Batterielaufzeit	Abhängig von Abdunklungseinstellungen Ohne Abdunklung: ~30 Stunden Immer abgedunkelt: ~150 Stunden
Schutzart	IP44
Verschmutzungsgrad	3
Überspannungskategorie	II
Gewicht (inkl. Batterien)	2880 g
Abmessungen der Wägeplatte (L x B x H)	29,1 x 29,1 x 3,7 cm
Kabellänge	~50,3 cm spiralisiert ~262 cm gedehnt

\*Die Verwendung unter 0° C sollte begrenzt werden. Bei Temperaturen unter -10 °C kann die Genauigkeit variieren.

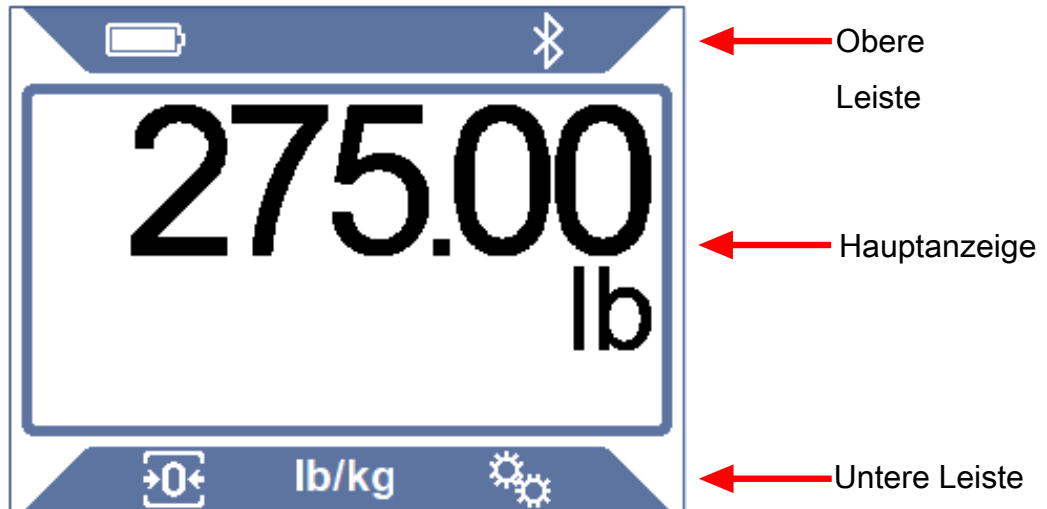
## 4 Wey-TEK Pro

Wey-TEK Pro ist eine Hochpräzisionswaage, entwickelt für den Einsatz in der Heizungs-, Lüftungs-, Kälte- und Klimatechnik zur Verwiegung von Kältemitteln bei der Rückgewinnung oder Befüllung von Klimaanlage. Die Waage kann mit der mitgelieferten Handsteuerung oder über die kostenlos herunterladbare App mit einem Smartphone oder Tablet bedient werden.



## 5 Bildschirmlayout und Symbole

Wey-TEK Pro verwendet die Anzeige für alle Meldungen und Informationen. Die Anzeige besteht aus einer oberen Leiste, der Hauptanzeige und einer unteren Leiste.



**Obere Leiste:** Die obere Leiste zeigt den Ladezustand der Batterie und den Bluetooth-Status an.

Symbol	Beschreibung
	Batterieladung ist 75-100 %
	Batterieladung ist 50-74 %
	Batterieladung ist 30-49 %
	Batterieladung ist 10-29 %
	Batterieladung ist kritisch niedrig, <10 %
	Bluetooth ist aktiviert
	Bluetooth-Gerät ist verbunden

**Hauptanzeige:** Hier werden die für den aktuellen Bildschirm relevanten Informationen angezeigt. Wey-TEK Pro startet mit dem Startbildschirm. Hier werden das aktuelle Gewicht und die Einheiten angezeigt. Wenn ein Alarm oder ein Protokoll vorliegt, werden die entsprechenden Indikatoren angezeigt.



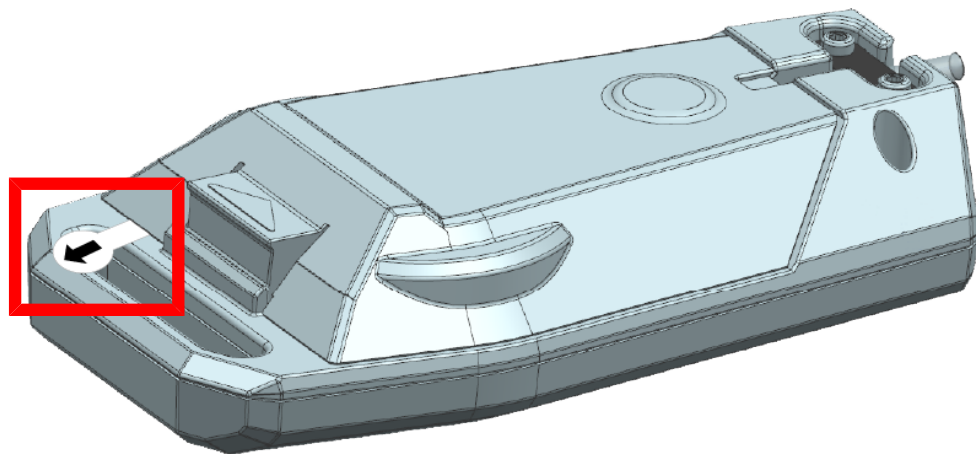
**Untere Leiste:** In der unteren Leiste werden die Optionen für die drei Tastenfunktionen angezeigt. Die Funktionen ändern sich je nach aktuellem Bildschirm und getroffener Auswahl. Die folgende Tabelle zeigt die verschiedenen Symbole und ihre jeweilige Funktion.

Symbol	Beschreibung
	Gewicht nullen/tarieren
lb/kg	Zwischen den Anzeigeeinheiten wechseln (lb/oz, lb, oz, kg, g)
	Einstellungsmenü aufrufen
	Durch die Optionen abwärts scrollen
	Nächste verfügbare Einstellung hervorheben
	Hervorgehobene Ziffer erhöhen
	Cursor zur nächsten Ziffer bewegen; gedrückt halten, um den Sollwert auf Null zu setzen
	Ausgewähltes Einstellungsmenü oder Untermenü aufrufen; Einstellungsänderung übernehmen und speichern; beendete Alarme/Protokolle übernehmen; Alarm starten
	Änderung rückgängig machen; Alarm quittieren
	Zum Startbildschirm zurückkehren
	Aktuellen Alarm pausieren
	Pausierten Alarm wieder fortsetzen

## 6 Bedienung

### 6.1 Erste Schritte

Wey-TEK Pro wird mit drei Alkalibatterien geliefert. Vor dem ersten Einschalten von Wey-TEK Pro muss der Batterieschutzstreifen aus dem Batteriefach der Handsteuerung entfernt werden. Den Schutzstreifen fest greifen und nach oben aus der Handsteuerung herausziehen.



### 6.2 Einschalten des Geräts und Vorbereitung zur Verwendung

Um Wey-TEK Pro ein- oder auszuschalten, den Betriebsschalter (ganz rechts auf der Handsteuerung) lange gedrückt halten. Wey-TEK Pro zeigt beim Starten kurz die Firmware-Version und anschließend den Startbildschirm an.

#### HINWEIS

Wenn sich der Bildschirm nicht einschalten lässt, sind die Batterien entladen und müssen ersetzt werden. Siehe Ersetzen der Batterien [▶ 90].

## 6.3 Wiege-/Startbildschirm

Wey-TEK Pro startet automatisch mit dem Startbildschirm und zeigt dann sofort das Gewicht in Echtzeit an. Einen Behälter oder anderen Wägegegenstand auf die Wägeplatte stellen. Wenn ein Alarm eingestellt ist, wird der Schwellenwert unten in der Hauptanzeige angezeigt.








Auf dem Startbildschirm die entsprechenden Tasten auf dem Tastenfeld drücken, um die folgenden Aktionen auszuführen:

Symbol	Beschreibung
	Gewicht nullen/tarieren
lb/kg	Zwischen den Anzeigeeinheiten wechseln (lb/oz, lb, oz, kg, g)
	Einstellungsmenü aufrufen

## 6.4 Einstellungsmenü

Im Einstellungsmenü über das Tastenfeld die Einstellungen für bestimmte Funktionen auswählen und eingeben. Das aktuell ausgewählte Untermenü ist dunkelblau hinterlegt.



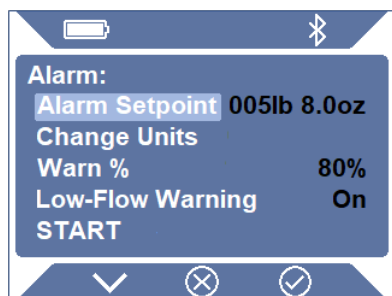
Symbol	Beschreibung
	Alarmeinstellungen – Gewichtsabhängige Alarmer einstellen
<b>lb/kg</b>	Einheiteneinstellungen – Anzeigeeinheiten ändern
	Bluetooth-Einstellungen – Bluetooth aktivieren oder deaktivieren
	Einstellungen für die Bildschirmabdunklung – festlegen, ob das Display abgedunkelt werden soll, um die Batterie zu schonen
	Automatische Abschaltung – festlegen, ob sich die Waage nach einer bestimmten Zeit automatisch abschalten soll
	Info/Über – grundlegende Informationen über die Waage, einschließlich Firmware-Version, MAC-Adresse, und FCC-Informationen

## 6.5 Alarme

Wey-TEK Pro kann schwellenwertabhängige Alarme einstellen. Dies kann sowohl für die Kältemittelrückgewinnung als auch für die Befüllung genutzt werden. Alarme werden im Menü für Alarmeinstellungen konfiguriert.

### HINWEIS

An der Handsteuerung gibt Wey-TEK Pro keine akustischen Alarme aus. Alarme werden nur optisch angezeigt. Für akustische Alarme muss die Wey-TEK Pro App heruntergeladen werden. Siehe .




Der Bildschirm für die Alarmeinstellungen zeigt die aktuellen Alarmeinstellungen an und ermöglicht den Zugriff auf Untermenüs, um diese Einstellungen zu bearbeiten.


Alarm Setpoint	Dieses Menü wählen, um den Schwellenwert zu ändern.
Change Units	Erlaubt die Änderung der Einheiten. Mögliche Optionen sind <b>lb/oz</b> , <b>lb</b> , <b>oz</b> , <b>kg</b> und <b>g</b> .  HINWEIS: Die Änderung der Einheiten setzt die Alarmschwelle auf Null zurück.
Warn %	Prozentsatz des Schwellenwerts wählen, bei dem eine Warnung ausgegeben werden soll, dass das Alarmgewicht bald erreicht wird. Mögliche Optionen sind <b>Disabled</b> , <b>70%</b> , <b>80%</b> und <b>90%</b> .
Low-Flow Warning	Diese Einstellung aktivieren, um eine visuelle Warnung zu erhalten, wenn sich das Gewicht innerhalb von zwei Minuten um weniger als 30 g ändert.
START	Startet den Alarm.

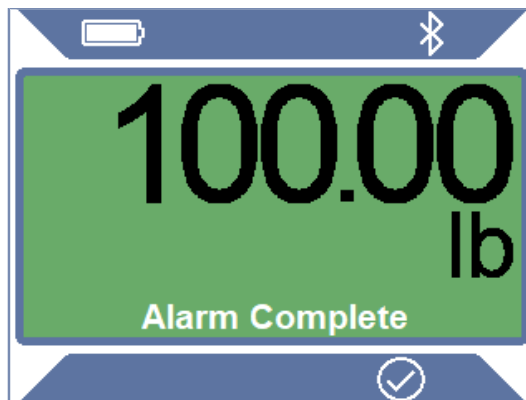


## 6.5.1 Betrieb mit Alarm

- 1 Alarm-Einstellungsmenü aufrufen.
- 2 Alarmparameter festlegen.
- 3 **START** wählen. Wey-TEK Pro kehrt zum Startbildschirm zurück, führt eine Nullung durch und beginnt mit dem Wägen. Der Schwellenwert wird unten auf dem Bildschirm angezeigt.
- 4 Nach Beendigung des Alarms blinkt der Bildschirm grün und zeigt die Gesamtmenge des übertragenen Kältemittels an.  drücken, um den Alarm zu akzeptieren und zu löschen.



### HINWEIS

Um einen Alarm abubrechen, kann während des Alarms jederzeit  gedrückt werden.



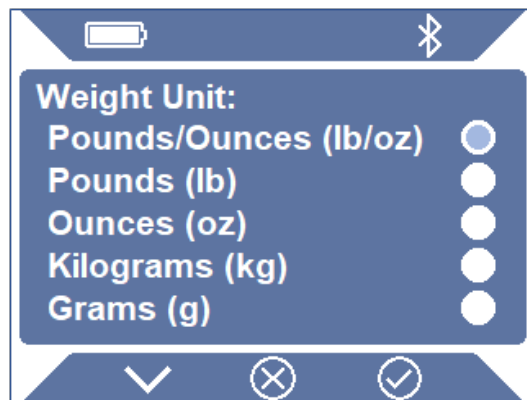
## 6.5.2 Austausch des Kältemittel-/Rückgewinnungszylinders

Wenn ein Alarm ausgelöst wird und der Zylinder während des Füllung/Rückgewinnung gewechselt werden muss:

- 1 Zylinderventil schließen. Es kann einen Moment dauern, bis sich die Waage stabilisiert hat.
- 2  drücken.
- 3 Zylinder wechseln.
- 4  drücken. Wey-TEK Pro speichert das übertragene Gewicht und fährt mit dem Alarm/Protokoll fort.
- 5 Ventil des neuen Zylinders öffnen.

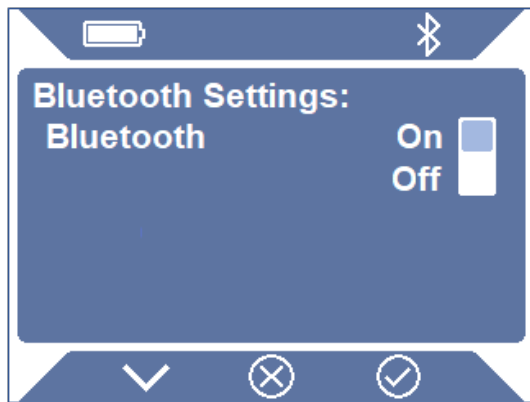
## 6.6 Einheiten

Im Einheiten-Menü können die angezeigten Einheiten eingestellt werden. Dies kann auch über den Startbildschirm erfolgen. Einheiten können in lb/oz, lb, oz, kg, g angezeigt werden. Die Standardeinstellung ist „lb/oz“.



## 6.7 Bluetooth

Im Bluetooth-Menü kann Bluetooth aktiviert oder deaktiviert werden. Bluetooth ist nur für die Nutzung der mobilen App erforderlich. Wenn Bluetooth aktiviert ist, kann ein mobiles Gerät in der App gekoppelt werden. Standardmäßig ist Bluetooth aktiviert.



## 6.8 Bildschirmabdunklung

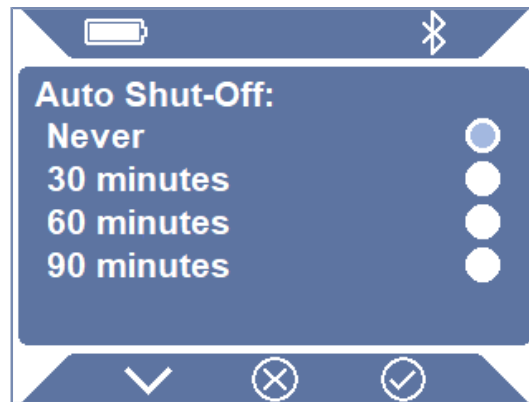
Über das Menü zur Bildschirmabdunklung kann die Batterie geschont werden, indem der Bildschirm nach einer bestimmten Zeit abgedunkelt wird. Die Standardeinstellung ist 1 Minute.





## 6.9 Automatische Abschaltung

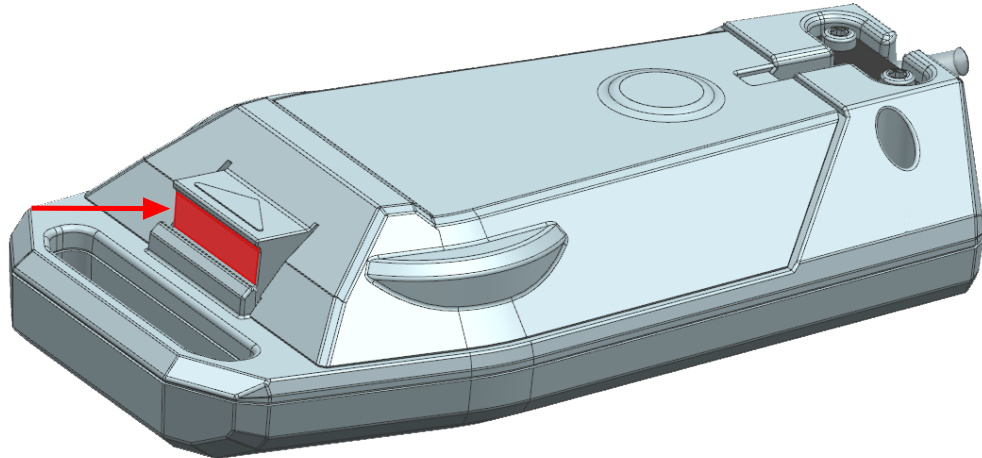
Im Menü für die automatische Abschaltung kann die Zeitspanne eingestellt werden, nach der sich Wey-TEK Pro von selbst ausschaltet. Der Timer (nicht angezeigt) wird bei jedem Tastendruck oder bei jeder Gewichtsänderung zurückgesetzt. Die Standardeinstellung ist „Never“.



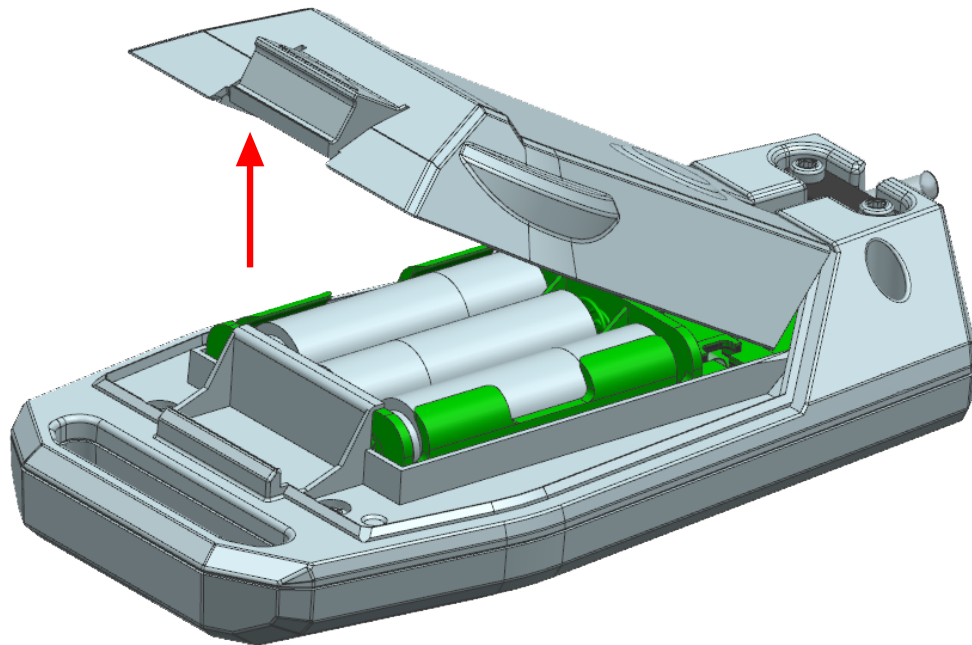
## 7 Ersetzen der Batterien

Wey-TEK Pro wird mit drei AA-Alkalibatterien betrieben. Das Batteriefach befindet sich auf der Rückseite der Handsteuerung.

- 1 Handsteuerung umdrehen und Batteriefachverriegelung unterhalb der Lippe in Pfeilrichtung drücken.



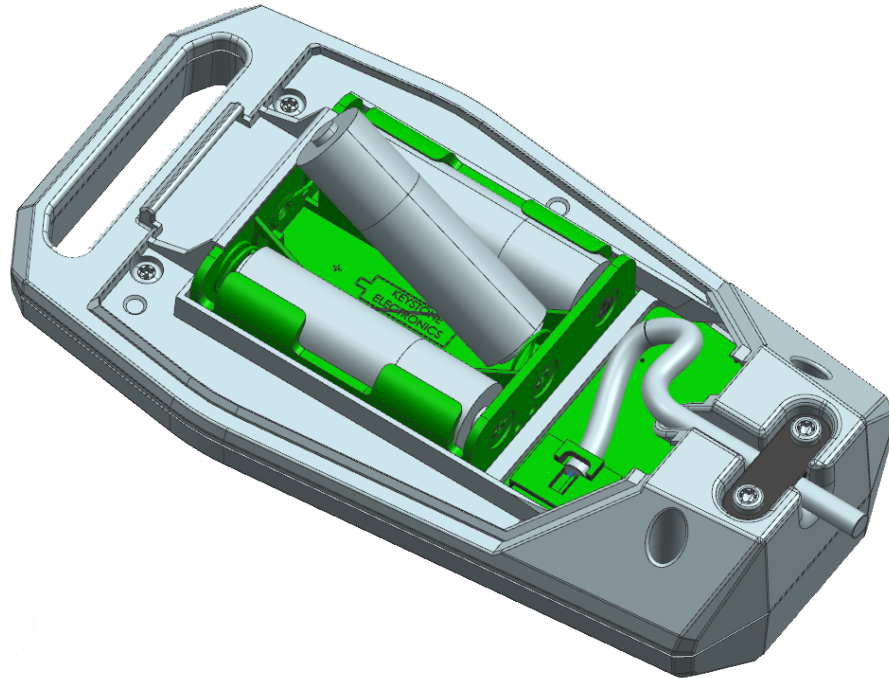
- 2 Batterieabdeckung abnehmen.



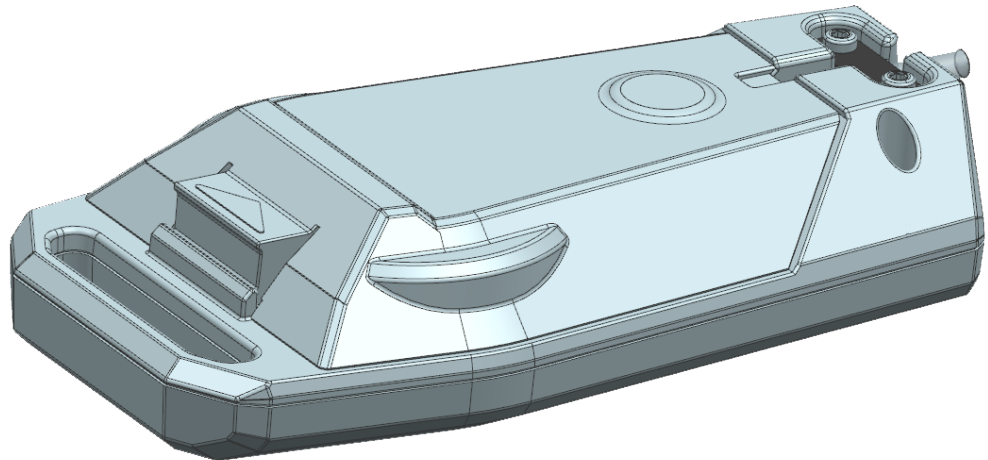
Deutsch

Deutsch

3 Leere Batterien herausnehmen und ersetzen.



4 Batterieabdeckung wieder anbringen.



Leere Alkalibatterien gemäß den geltenden nationalen und regionalen Bestimmungen entsorgen. Wenn keine entsprechenden Bestimmungen gelten, Batterien im Rahmen eines freiwilligen Abfallwiederverwertungsprogramms recyceln und/oder entsorgen.

## 8 App

Kostenlose Wey-TEK Pro App für Smartphone oder Tablet herunterladen, um zusätzliche Funktionen nutzen zu können.

Die Wey-TEK Pro-App bietet folgende Funktionen:

- Zugriff auf die gleichen Funktionen wie mit der Handsteuerung
- Einstellen von Alarmen mit akustischen und optischen Benachrichtigungen
- Speichern und Weitergeben von Jobprotokollen, einschließlich Bildern und Kundeninformationen
- Aktualisieren der Wey-TEK Pro-Firmware

### HINWEIS

Für die Kopplung mit der App muss sich die Waage nicht im Kopplungsmodus befinden.

Die App steht im App Store® oder bei Google Play™ zum Download bereit.



## 9 Magnetlasche

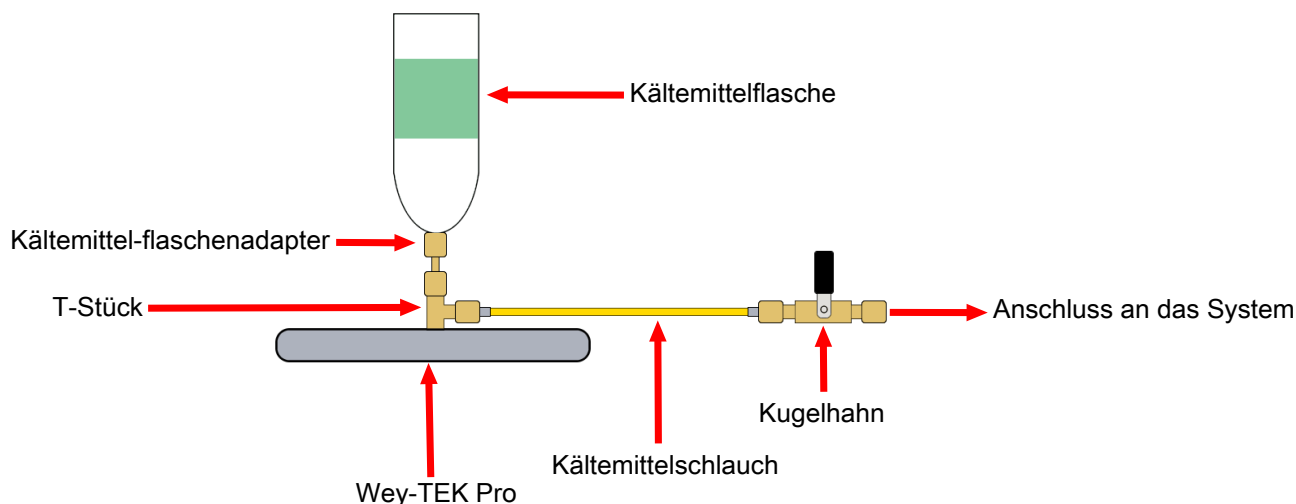
Wey-TEK Pro wird mit einer Magnetlasche geliefert, an der die Handsteuerung für den Freihandbetrieb aufgehängt werden kann. Die Lasche wird durch die Aussparung an der Handsteuerung gezogen und mittels Klettverschluss befestigt. Handsteuerung entweder mit dem Magneten oder mit der Lasche an einem Rohr oder einem anderen Gegenstand befestigen.

## 10 Kleinlast-Adapter-Kit

Das Kleinlast-Adapter-Kit (Teilenummer 501-601-G1) ist optionales Zubehör, mit dem eine kleine Kältemittelflasche, wie sie für brennbare A3-Kältemittel üblich ist, an der Waage befestigt werden kann. So steht die Flasche sicher auf dem Kopf und kann leicht nachgefüllt werden.

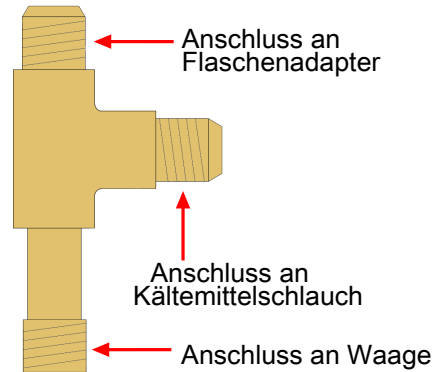
Das Kleinlast-Adapter-Kit umfasst:

- T-Stück mit 1/4"-SAE-Außengewinde
- Kugelhahn
- 457 mm langer Kühlmittelschlauch mit 2 mm Innendurchmesser
- Flaschenadapter CGA600-Innengewinde auf 7/16-28" Außengewinde (EN 417 Lindal)
- Flaschenadapter 7/16-28"-Innengewinde (EN 417 Lindal) auf 1/4"-SAE-Innengewinde
- 1/4 SAE-Innengewinde auf 1/4 SAE-Innengewinde-Flaschenadapter



### Verwendung des Adapter-Kits:

- 1 Kleinen Plastikstopfen in der Wägeplatte mit einem kleinen, flachen Schraubenzieher oder einem ähnlichen Werkzeug entfernen.
- 2 T-Stück in die Wägeplatte einschrauben.



- 3 Passenden Adapter für die Kältemittelflasche auswählen und am T-Stück anbringen.
- 4 Ein Ende des Kältemittelschlauchs an das T-Stück und das andere Ende an den Kugelhahn anschließen.
- 5 Kältemittelflasche mit dem Kugelhahn in geschlossener Stellung am Kältemittelflaschenadapter befestigen.
- 6 Kugelhahn an das System anschließen.
- 7 Kugelhahn langsam öffnen, um das System zu füllen. Nach Abschluss Hahn schließen.

### HINWEIS

Alle Schraubverbindungen handfest anziehen.

# 11 Reinigung und Aufbewahrung

Wey-TEK Pro kann mit einem milden Reinigungsmittel oder mit Isopropylalkohol gereinigt werden. Es ist darauf zu achten, dass das Reinigungsmittel nicht in die Handsteuerung eindringt. Benzin, Aceton oder andere aggressive Lösungsmittel sollten nicht verwendet werden, da sie den Kunststoff oder das Display beschädigen können.

## HINWEIS

Die Wägeplatte besteht aus Aluminium und kann durch bestimmte Lösungsmittel verfärbt werden.



## 12 Auswechseln der Handsteuerung oder des Kabels

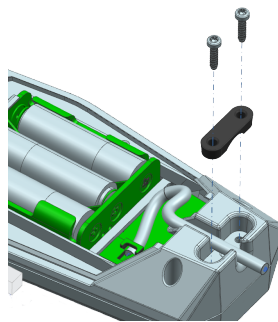
Bei Beschädigung der Handsteuerung oder des Kabels kann die Handsteuerung (TN 501-701-G1) bzw. die Wägeplatte-Kabel-Baugruppe (TN 501-702-G1) ersetzt werden. Das Kabel ist fest mit der Wägezelle in der Wägeplatte verbunden, so dass beide zusammen ausgetauscht werden müssen.



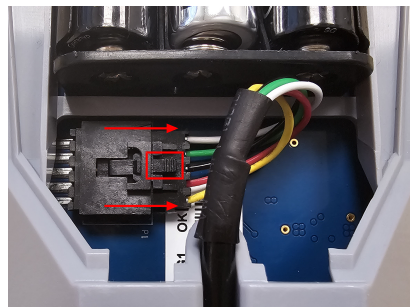
Es wird empfohlen, sich vor dem Austausch zu erden, um Schäden an der Handsteuerung durch elektrostatische Entladung zu vermeiden.

Austausch von Handsteuerung oder Wägeplatte/Kabel:

- 1 Wey-TEK Pro ausschalten.
- 2 Batterieabdeckung von der Handsteuerung abnehmen.
- 3 Beide Schrauben der Handsteuerung mit einem T10-Torx-Schraubendreher entfernen.



- 4 Kabelhalterung entfernen.
- 5 Die Verriegelung des Steckers drücken und den Stecker VORSICHTIG aus der Buchse ziehen.



- 6 Die Handsteuerung bzw. die Wägeplatte-Kabel-Baugruppe ersetzen und in umgekehrter Reihenfolge wieder zusammenbauen.

### HINWEIS

Schrauben nicht zu fest anziehen.

## 13 Ersatzteile und Zubehör

Kleinlast-Adapter-Kit	501-601-G1
Ersatztragekoffer	501-700-G1
Ersatzhandsteuerung (einschließlich Magnetflasche)	501-701-G1
Ersatz-Wägeplatte mit Kabel	501-702-G1
Magnetflasche	501-311-P1
Ersatz-Batterieabdeckung	501-308-P1

## 14 Garantie und Haftungsbeschränkung

INFICON garantiert, dass Ihr Gerät für eine Dauer von einem oder zwei Jahren (je nach geografischer Region) ab Kaufdatum frei von Material- oder Verarbeitungsfehlern ist. INFICON übernimmt keine Garantie für Teile, die bei normaler Verwendung Verschleiß unterliegen, wie z. B. Batterien, Sensoren und Filter. Darüber hinaus übernimmt INFICON keine Garantie für unsachgemäße Behandlung, Fahrlässigkeit oder Unfälle sowie für Geräte, die von einer anderen Partei als INFICON repariert oder modifiziert wurden. Die Haftung von INFICON ist auf Geräte beschränkt, die spätestens dreißig (30) Tage nach Ablauf der Garantiefrist mit vorausbezahlten Transportgebühren an INFICON zurückgegeben werden und die nach Einschätzung von INFICON aufgrund von fehlerhaften Materialien oder Herstellungsfehlern nicht ordnungsgemäß funktionieren. Die Haftung von INFICON ist nach eigenem Ermessen auf die Reparatur oder den Ersatz des fehlerhaften Geräts oder Teils beschränkt. Diese Garantie gilt anstelle aller anderen ausdrücklichen oder stillschweigenden Garantien, einschließlich der MARKTGÄNGIGKEIT oder der EIGNUNG FÜR EINEN BESTIMMTEN ZWECK oder sonstiger Garantien. Alle anderen Garantien werden ausdrücklich abgelehnt. INFICON übernimmt keine Haftung, die über den an INFICON für das Gerät bezahlten Kaufpreis plus vorausbezahlter Transportgebühren für die Rücksendung hinausgeht. INFICON übernimmt weiterhin keine Haftung für Folge- oder Nebenschäden. Alle derartigen Haftungen sind AUSGESCHLOSSEN.

# Indice

<b>1</b>	<b>Esclusione di responsabilità e copyright .....</b>	<b>101</b>
<b>2</b>	<b>Avvertenze e precauzioni .....</b>	<b>102</b>
<b>3</b>	<b>Specifiche .....</b>	<b>103</b>
<b>4</b>	<b>Wey-TEK Pro.....</b>	<b>104</b>
<b>5</b>	<b>Disposizione dello schermo e simboli .....</b>	<b>105</b>
<b>6</b>	<b>Funzionamento.....</b>	<b>107</b>
6.1	Per iniziare .....	107
6.2	Accensione dello strumento/preparazione all'uso .....	107
6.3	Pesatura/Schermata iniziale .....	108
6.4	Menu Impostazioni .....	109
6.5	Allarmi .....	110
6.5.1	Funzionamento con un allarme.....	111
6.5.2	Sostituzione della bombola del refrigerante/recupero.....	112
6.6	Unità.....	112
6.7	Bluetooth .....	113
6.8	Regolazione della luminosità dello schermo .....	113
6.9	Spegnimento automatico .....	114
<b>7</b>	<b>Sostituzione delle batterie.....</b>	<b>115</b>
<b>8</b>	<b>App .....</b>	<b>117</b>
<b>9</b>	<b>Cinghia magnetica .....</b>	<b>118</b>
<b>10</b>	<b>Kit adattatore di ricarica piccolo.....</b>	<b>119</b>
<b>11</b>	<b>Pulizia e conservazione .....</b>	<b>121</b>
<b>12</b>	<b>Sostituzione del manipolo o del cavo .....</b>	<b>122</b>
<b>13</b>	<b>Ricambi e accessori.....</b>	<b>123</b>
<b>14</b>	<b>Garanzia e limitazioni di responsabilità .....</b>	<b>124</b>

# 1 Esclusione di responsabilità e copyright

## Esclusione di responsabilità

Le informazioni contenute in questo manuale sono ritenute accurate e affidabili.

Tuttavia, INFICON non si assume alcuna responsabilità per il suo utilizzo e non sarà responsabile per eventuali danni speciali, incidentali o consequenziali legati all'uso di questo prodotto.

Alla luce dei continui miglioramenti apportati ai prodotti, le specifiche sono soggette a modifica senza preavviso.

## Copyright

©2024 Tutti i diritti riservati.

È vietata la riproduzione o l'adattamento di una qualsiasi parte del presente documento senza previa autorizzazione.

Wey-TEK è un marchio registrato di INFICON.

Apple, il logo Apple iPhone sono marchi commerciali di Apple Inc., registrati negli Stati Uniti e in altri Paesi. App Store è un marchio del servizio di Apple Inc.

Google Play e il logo Google Play sono marchi commerciali di Google LLC.

Il marchio denominativo e il logo Bluetooth® sono marchi commerciali registrati di proprietà di Bluetooth SIG, Inc. e qualsiasi utilizzo di tali marchi da parte di INFICON è concesso in licenza.

Altri marchi commerciali e nomi commerciali sono di proprietà dei rispettivi proprietari.

## 2 Avvertenze e precauzioni

Durante l'utilizzo di questo manuale, prestare attenzione alle Note, alle Avvertenze e alle Precauzioni presenti in tutto il manuale. Ai fini del presente manuale, esse sono definite come segue:



### **ATTENZIONE**

**La mancata osservanza di questi messaggi può causare lesioni personali.**



### **PRUDENZA**

**La mancata osservanza di questi messaggi può comportare prestazioni scadenti di Wey-TEK Pro.**



### **CAUTION**

Se l'apparecchiatura viene utilizzata in un modo non specificato dalle informazioni contenute in questo manuale di istruzioni, la protezione fornita dall'apparecchiatura potrebbe essere compromessa.



Informazioni pertinenti che, se seguite, sono utili per ottenere la massima efficienza di Wey-TEK Pro.

Questa apparecchiatura è stata testata ed è risultata conforme ai limiti previsti per i dispositivi digitali di Classe A, ai sensi della parte 15 delle norme FCC. Questi limiti sono concepiti per fornire una protezione ragionevole contro le interferenze dannose quando l'apparecchiatura viene utilizzata in un ambiente commerciale. Questa apparecchiatura genera, utilizza e può irradiare energia a radiofrequenza e, se non installata e utilizzata in conformità al manuale di istruzioni, può causare interferenze dannose per le comunicazioni radio. Il funzionamento di questa apparecchiatura in una zona residenziale può causare interferenze dannose, nel qual caso l'utente dovrà correggere l'interferenza a proprie spese.

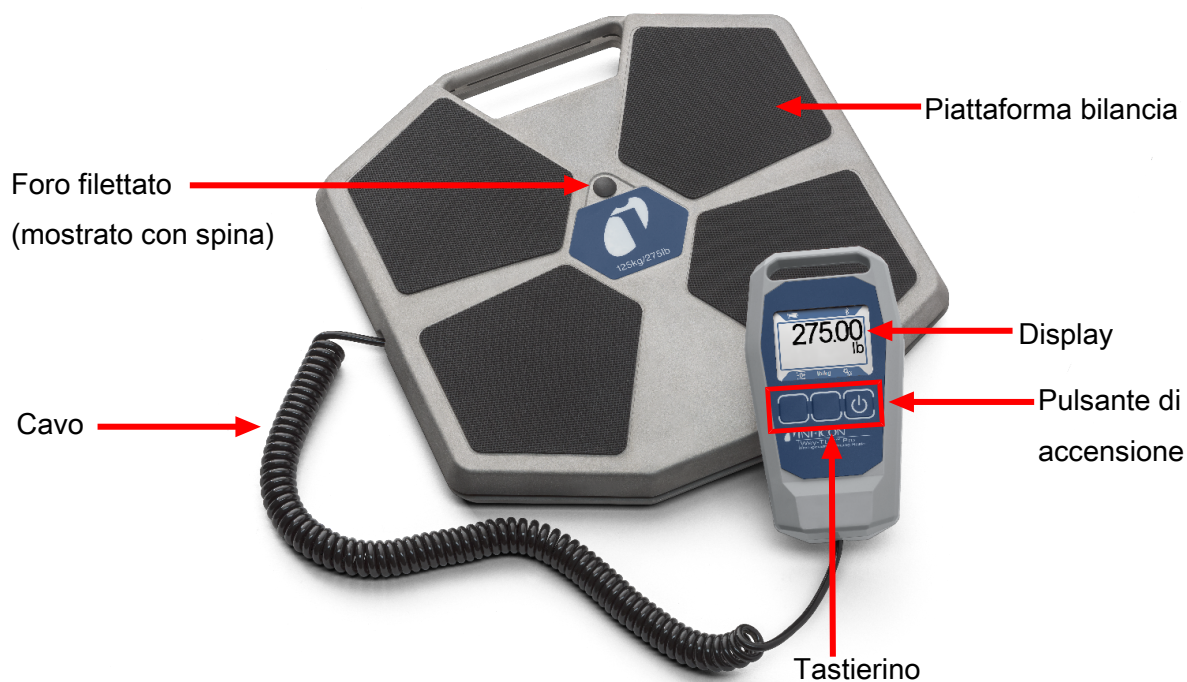
## 3 Specifiche

Uso	All'interno o all'esterno
Capacità di peso	125 kg
Precisione	$\pm 0,06\%$ del valore letto o $\pm 3\text{g}$ (qualunque sia maggiore)
Risoluzione display	$\pm 3\text{g}$
Temperatura di funzionamento	da $-18$ a $50\text{ °C}^*$
Temperatura di stoccaggio	da $-30$ a $80\text{ °C}$
Umidità	85% RH a $45\text{ °C}$ , senza condensa
Altitudine	2000 m
Alimentazione	3 batterie alcaline AA
Durata della batteria	Dipende dalle impostazioni di regolazione della luminosità Senza oscuramento: ~30 ore Sempre oscurato: ~150 ore
Classe di protezione IP	IP44
Grado di inquinamento	3
Categoria di sovratensione	II
Peso (batterie incluse)	2880 g
Dimensioni piattaforma (L x P x A)	29,1 x 29,1 x 3,7 cm
Lunghezza del cavo	50,3 cm arrotolato 262 cm esteso

\*L'uso al di sotto di  $0\text{ °C}$  dovrebbe essere limitato. La precisione può variare a temperature inferiori a  $-10\text{ °C}$ .

## 4 Wey-TEK Pro

Wey-TEK Pro è una bilancia ad alta precisione progettata per l'uso in applicazioni HVAC/R per pesare il refrigerante durante il recupero o la ricarica di sistemi di condizionamento o refrigerazione. La bilancia può essere utilizzata con il manipolo annesso, oppure con un telefono o un tablet utilizzando l'applicazione scaricabile gratuitamente.





## 5 Disposizione dello schermo e simboli

Wey-TEK Pro utilizza il display per tutti gli indicatori e le informazioni. Il display è costituito da una barra superiore, da un display principale e da una barra inferiore.



**Barra superiore:** la barra superiore include il simbolo della batteria e lo stato del Bluetooth.

Simbolo	Descrizione
	la carica della batteria è al 75-100%
	la carica della batteria è al 50-74%
	la carica della batteria è al 30-49%
	la carica della batteria è al 10-29%
	la carica della batteria è estremamente bassa, <10%
	Il Bluetooth è attivato
	Un dispositivo Bluetooth è collegato

**Display principale:** il display principale mostra le informazioni rilevanti per la schermata attuale. Wey-TEK Pro si avvia con la schermata iniziale, che visualizza il peso e le unità di misura correnti. Inoltre, visualizza gli indicatori pertinenti se è in corso un allarme o un registro.

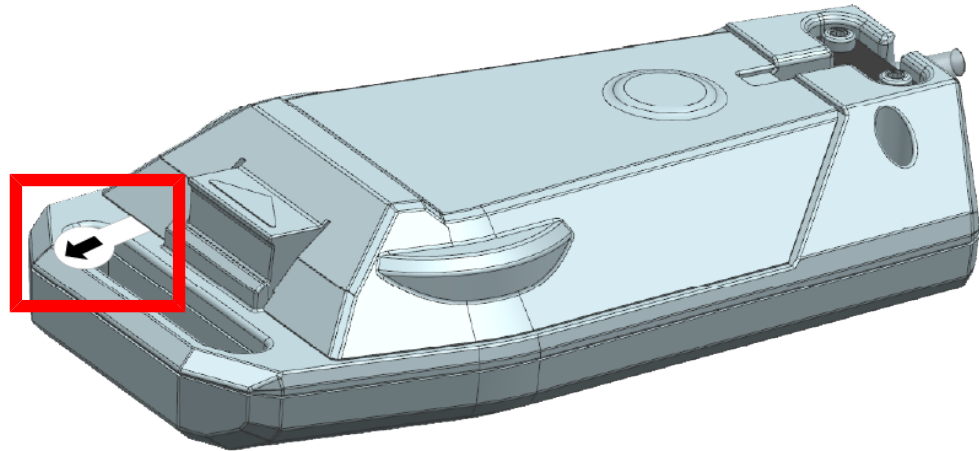
**Barra inferiore:** la barra inferiore visualizza le opzioni per le tre funzioni del tastierino. Le funzioni cambiano a seconda della schermata e della selezione attuale. La tabella seguente mostra le diverse icone e le rispettive funzioni.

Simbolo	Descrizione
	Azzera/tara il peso
<b>lb/kg</b>	Cicli nelle unità del display (lb/oz, lb, oz, kg, g)
	Entra nel menu impostazioni
	Scorri in basso nelle opzioni
	Evidenzia la successiva impostazione disponibile
	Aumenta la cifra evidenziata
	Sposta il cursore sulla cifra successiva; tieni premuto per ripristinare il setpoint a zero
	Entra nel menu o sottomenu dell'impostazione selezionata; accetta e salva una modifica di un'impostazione; accetta un allarme completato; avvia un allarme
	Annulla la modifica; annulla l'allarme
	Ritorna alla schermata iniziale
	Metti in pausa un allarme attuale
	Riprendi un allarme attualmente in pausa

## 6 Funzionamento

### 6.1 Per iniziare

Wey-TEK Pro viene fornita con tre batterie alcaline AA già installate. Prima di accendere Wey-TEK Pro per la prima volta, è necessario rimuovere la striscia isolante della batteria dal vano batteria del manipolo. Afferrare saldamente la striscia isolante e tirare verso la parte superiore del manipolo per rimuoverla.



### 6.2 Accensione dello strumento/preparazione all'uso

Premere a lungo il pulsante di accensione (pulsante più a destra sul manipolo) per accendere o spegnere Wey-TEK Pro. All'avvio, Wey-TEK Pro mostra brevemente la versione software, quindi prosegue con la schermata iniziale.

#### NOTA

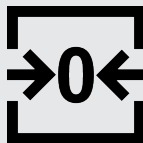
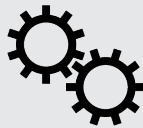
Se lo schermo non si accende, le batterie sono esaurite e devono essere sostituite. Fare riferimento a Sostituzione delle batterie [► 115].

## 6.3 Pesatura/Schermata iniziale

Wey-TEK Pro si avvia automaticamente nella schermata iniziale e mostra immediatamente il peso in tempo reale. Posizionare un serbatoio o un altro oggetto da pesare sulla piattaforma della bilancia. Se è stato impostato un allarme, il setpoint viene visualizzato nella parte inferiore del display principale.



Nella schermata iniziale, premere i pulsanti corrispondenti sul tastierino per eseguire le seguenti operazioni:






Simbolo	Descrizione
	Azzera/tara il peso
<b>lb/kg</b>	Ciclo nelle unità del display (lb/oz, lb, oz, kg, g)
	Entra nel menu impostazioni

## 6.4 Menu Impostazioni

### MAC

Utilizzare il tastierino nel menu delle impostazioni per selezionare e inserire le impostazioni per funzioni specifiche. Il sottomenu attualmente selezionato è evidenziato in blu scuro.



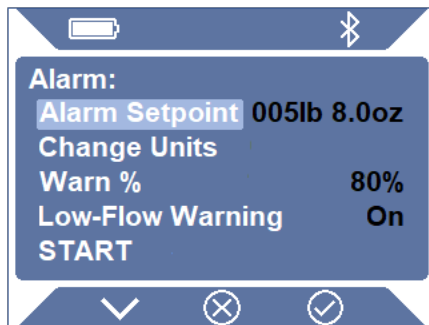
Simbolo	Descrizione
	Menu Impostazioni allarmi – imposta allarmi in base al peso
<b>lb/kg</b>	Menu Impostazioni unità – modifica delle unità di misura del display
	Menu Impostazioni Bluetooth – consente di attivare o disattivare il Bluetooth
	Menu Impostazioni regolazione luminosità schermo – seleziona se abbassare o meno la luminosità dello schermo per risparmiare la durata della batteria
	Menu Impostazioni autospegnimento – seleziona se la bilancia si spegnerà automaticamente trascorso un periodo di tempo predefinito
	Menu Informazioni – Mostra le informazioni di base sulla bilancia, inclusi firmware, indirizzo MAC e informazioni sulla versione FCC

## 6.5 Allarmi

Wey-TEK Pro può impostare allarmi basati su un setpoint di peso. Può essere utilizzato sia per il recupero sia per la carica dei refrigeranti. Gli allarmi vengono impostati nel menu Impostazioni allarmi.

### NOTA

Wey-TEK Pro non dispone di allarmi acustici nel manipolo. Gli allarmi sono solo visivi. Per gli allarmi acustici, scaricare l'applicazione Wey-TEK Pro. Cfr. .




La schermata delle impostazioni allarmi visualizza le impostazioni attuali relative agli allarmi e consente di accedere ai sottomenu per modificare tali impostazioni.


Setpoint allarme	Selezionare questo menu per modificare il peso del setpoint.
Modificare le unità	Consente di cambiare le unità di misura. Le opzioni sono <b>lb/oz, lb, oz, kg o g</b> . NOTA: la modifica delle unit azzera il setpoint di allarme.
Avvertimento %	Selezionare una percentuale del setpoint dell'allarme per avvisare l'utente che si sta avvicinando al peso di allarme. Le opzioni sono <b>Disabilitato, 70%, 80% o 90%</b> .
Avviso di basso flusso	Attiva questa impostazione per ottenere un avviso visivo se il peso ha subito variazioni inferiori a 30 g in due minuti.
START	Avvia l'allarme.

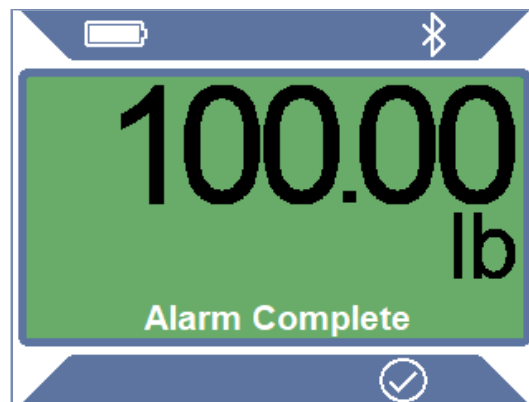


## 6.5.1 Funzionamento con un allarme

- 1 Entra nel menu impostazioni allarmi.
- 2 Imposta i parametri di allarme.
- 3 Seleziona **START**. Wey-TEK Pro torna alla schermata iniziale, si azzerava e inizia a pesare. Il setpoint viene visualizzato nella parte inferiore dello schermo.
- 4 Al termine dell'allarme, lo schermo lampeggia in verde e visualizza il totale del refrigerante trasferito. Premi  per accettare e cancellare l'allarme.



### NOTA

Per annullare un allarme, premi  in qualsiasi momento durante l'allarme.



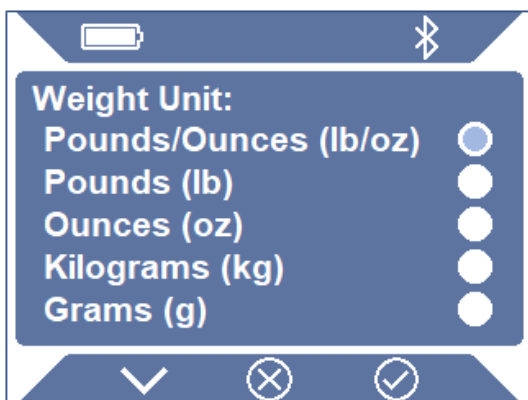
## 6.5.2 Sostituzione della bombola del refrigerante/recupero

Se viene attivato un allarme e la bombola deve essere cambiata durante il processo di ricarica/recupero:

- 1 Chiudi la valvola della bombola. La bilancia potrebbe impiegare qualche istante per stabilizzarsi.
- 2 Premi .
- 3 Sostituisci la bombola.
- 4 Premi . Wey-TEK Pro ricorda il peso trasferito e riprende l'allarme/il registro.
- 5 Apri la valvola della nuova bombola.

## 6.6 Unità

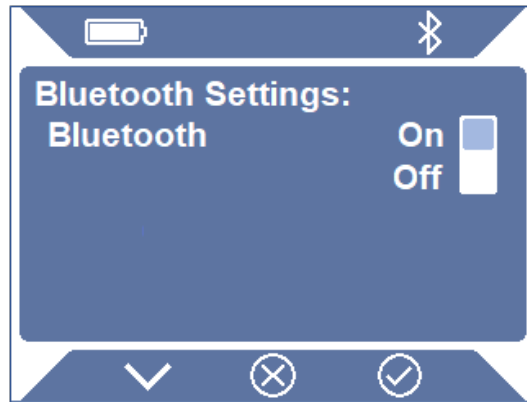
Il menu Unità consente di impostare le unità di misura visualizzate. Questa operazione può essere eseguita anche nella schermata iniziale. Le unità possono essere visualizzate in lb/oz, lb, oz, kg, g. L'impostazione predefinita è lb/oz.





## 6.7 Bluetooth

Il menu Bluetooth consente di attivare o disattivare il Bluetooth. Il Bluetooth è necessario solo per utilizzare l'applicazione mobile. Quando il Bluetooth è abilitato, è possibile associare il dispositivo mobile nell'app. L'impostazione predefinita del Bluetooth è Attivato.



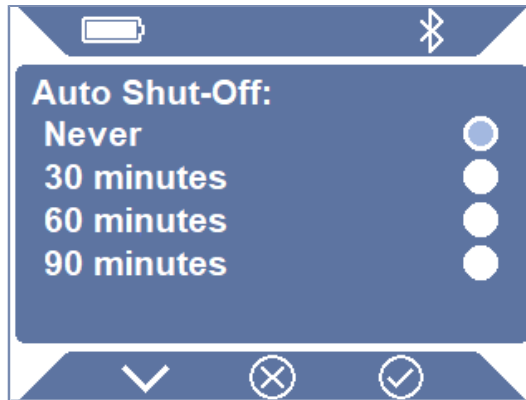
## 6.8 Regolazione della luminosità dello schermo

Il menu di regolazione della luminosità dello schermo consente di risparmiare la durata della batteria riducendo la luminosità dello schermo dopo un determinato periodo di tempo. L'impostazione predefinita è 1 minuto.



## 6.9 Spegnimento automatico

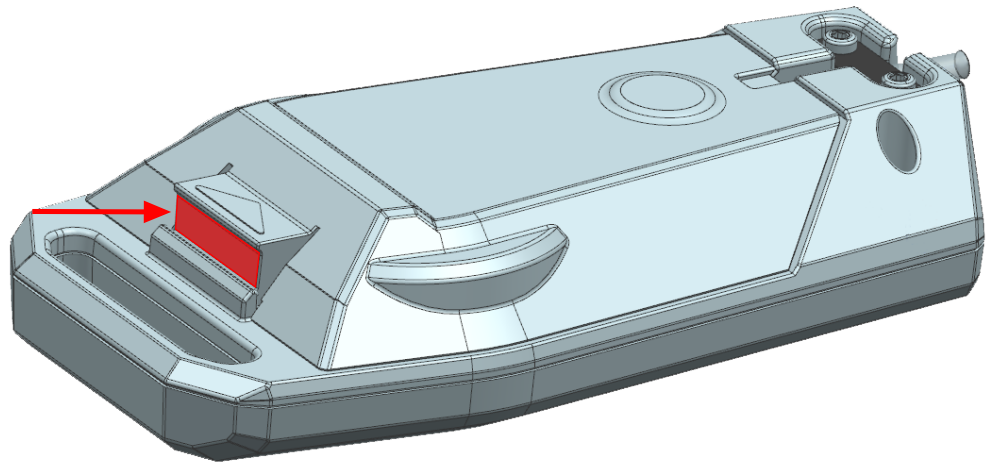
Il menu di spegnimento automatico consente di modificare l'intervallo di tempo prima che Wey-TEK Pro si spenga da sola. Il timer (non visualizzato) si azzerà con la pressione di qualsiasi pulsante o con la variazione del peso. L'impostazione predefinita è Mai.



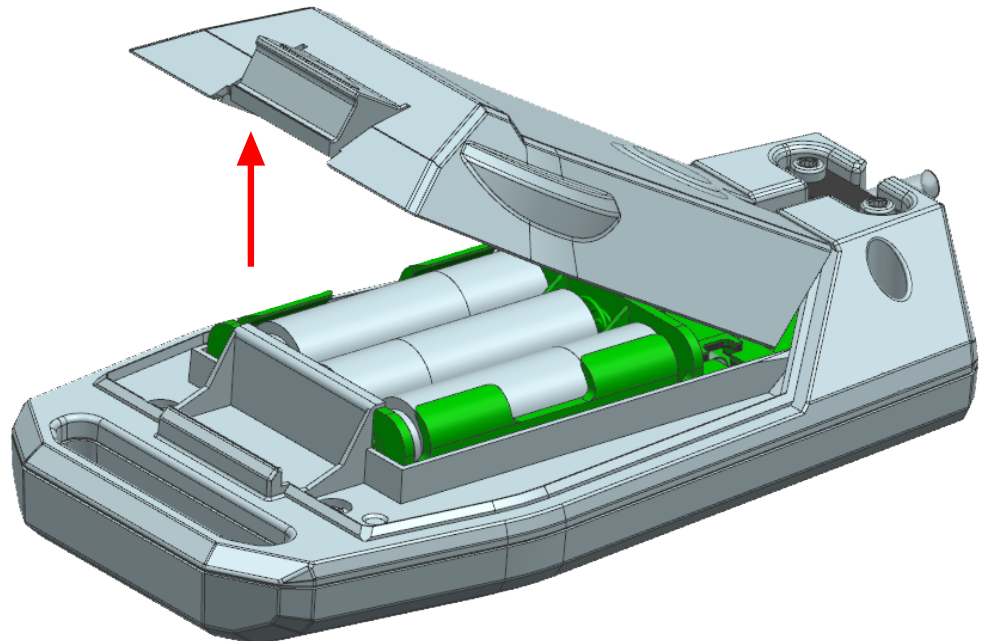
## 7 Sostituzione delle batterie

Wey-TEK Pro funziona con tre batterie alcaline AA. Lo sportello delle batterie si trova sul retro del manipolo.

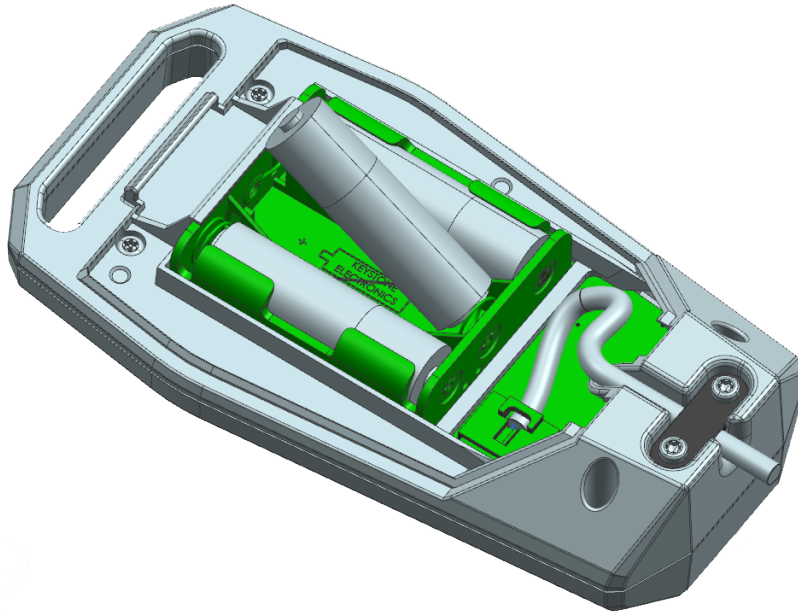
- 1 Capovolgi il manipolo e premi nella direzione della freccia sulla chiusura dello sportello della batteria sotto il labbro.



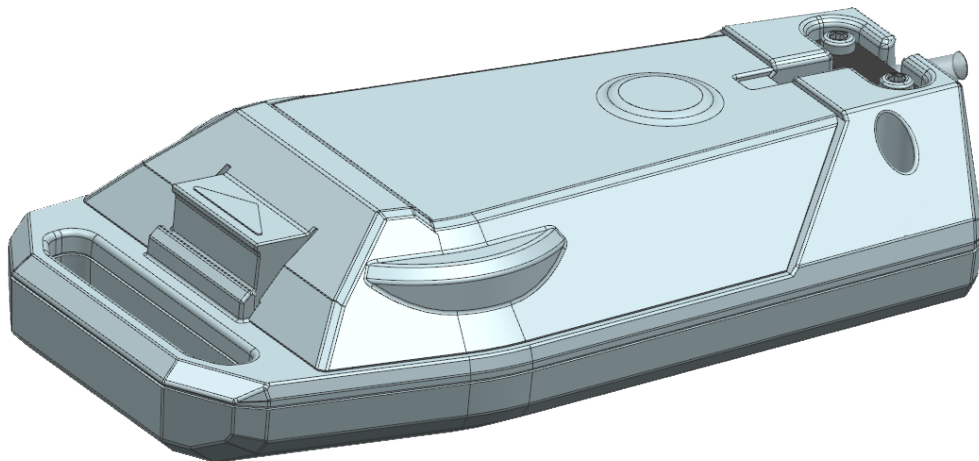
- 2 Rimuovi lo sportello delle batterie.



- 3 Rimuovi e sostituisci le batterie esaurite.



- 4 Riposizionare lo sportello delle batterie.



Smaltire le batterie alcaline scariche secondo i regolamenti locali e statali in vigore. In mancanza di tali regolamenti, riciclare e/o smaltire le batterie tramite un programma di riciclo rifiuti volontario.

## 8 App

Scaricare l'app gratuita Wey-TEK Pro per lo smartphone o il tablet per ottenere funzioni aggiuntive.

L'app Wey-TEK Pro consente di:

- Accedere alle stesse funzioni del manipolo
- Impostare allarmi con notifiche acustiche e visive
- Salvare e condividere registri di lavoro, comprese immagini e informazioni sui clienti
- Aggiornare il firmware di Wey-TEK Pro

---

### NOTA

La bilancia non deve essere necessariamente in modalità accoppiamento per collegarsi all'app.

---

L'app è disponibile per il download su App Store® o su Google Play™.



## 9 Cinghia magnetica

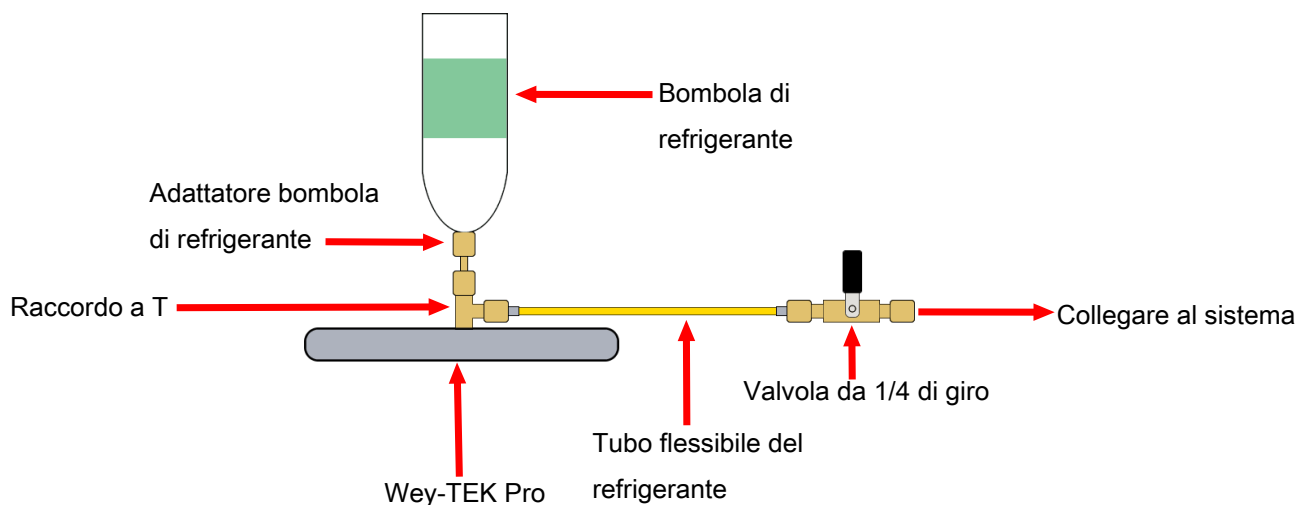
Wey-TEK Pro include una cinghia magnetica con cui appendere il manipolo per un utilizzo a mani libere. La cinghia utilizza una chiusura a gancio e ad anello per passare attraverso la fessura del manipolo. Appendi il manipolo utilizzando il magnete o avvolgendo la cinghia intorno a un tubo o a un altro oggetto.

## 10 Kit adattatore di ricarica piccolo

Il kit adattatore di ricarica piccolo (codice 501-601-G1) è un accessorio opzionale che consente di agganciare una bombola di refrigerante piccola, comune per i refrigeranti infiammabili A3, alla bilancia. Questo mantiene la bombola saldamente capovolta per una ricarica agevole.

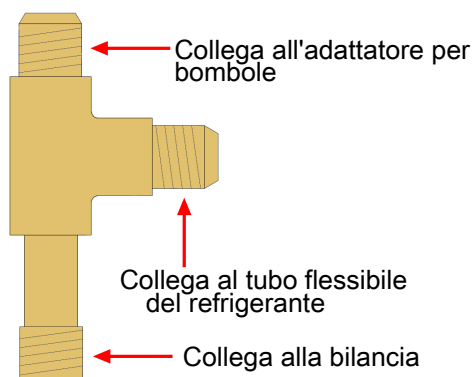
Il kit adattatore di ricarica piccolo comprende:

- Raccordo a T con filettatura maschio 1/4 SAE
- Valvola da 1/4 di giro
- 457 mm con diametro interno di 2 mm
- Adattatore bottiglia da CGA600 femmina a 7/16-28 (EN417 Lindal) maschio
- Adattatore bottiglia da 7/16-28 (EN417 Lindal) femmina a 1/4 SAE femmina
- Adattatore per bottiglia da 1/4 SAE femmina a 1/4 SAE femmina



Per utilizzare il kit adattatore:

- 1 Rimuovi il piccolo tappo di plastica dalla piattaforma della bilancia utilizzando un piccolo cacciavite piatto o uno strumento simile.
- 2 Avvita il raccordo a T nella piattaforma della bilancia.



- 3 Scegli l'adattatore del serbatoio per la bombola di refrigerante e fissarlo al raccordo a T.
- 4 Collega un'estremità del tubo del refrigerante al raccordo a T e l'altra alla valvola a 1/4 di giro.
- 5 Con la valvola a 1/4 di giro in posizione chiusa, collega la bombola di refrigerante all'adattatore del serbatoio del refrigerante.
- 6 Collega la valvola da 1/4 di giro al sistema.
- 7 Apri lentamente la valvola da 1/4 di giro per caricare il sistema. Chiudi la valvola al termine dell'operazione.

## NOTA

Serra a mano tutti i raccordi.



---

# 11 Pulizia e conservazione

Wey-TEK Pro può essere pulita con un detergente delicato o con alcool isopropilico. Fare attenzione affinché il detergente non penetri nel manipolo. Non pulire con benzina, acetone o altri solventi aggressivi poiché potrebbero danneggiare la plastica o il display.

---

## NOTA

La piattaforma è in alluminio e può macchiarsi con alcuni solventi.

---

## 12 Sostituzione del manipolo o del cavo

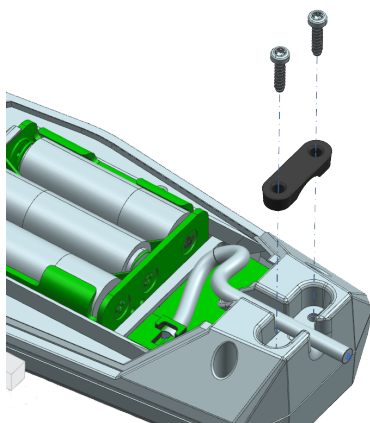
In caso di danneggiamento del manipolo o del cavo, è possibile sostituire il manipolo (PN 501-701-G1) o il gruppo piattaforma/cavo (PN 501-702-G1). Il cavo è collegato alla cella di carico all'interno della piattaforma, quindi devono essere sostituiti insieme.



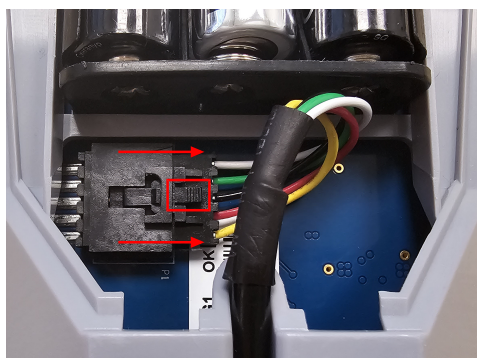
Si raccomanda di effettuare la messa a terra prima di eseguire la sostituzione per evitare danni da ESD al manipolo.

Per sostituire il manipolo o la piattaforma/cavo:

- 1 Spegni Wey-TEK Pro.
- 2 Rimuovi lo sportello delle batterie dal manipolo.
- 3 Rimuovi le due viti del manipolo con un cacciavite a stella T10.



- 4 Rimuovi il supporto del cavo.
- 5 Premi sul blocco del connettore ed estrai CON CAUTELA il connettore dalla presa.



- 6 Sostituisci il manipolo o il gruppo piattaforma/cavo e riasmbla in ordine inverso.

### NOTA

Non serrare eccessivamente le viti.

## 13 Ricambi e accessori

Kit adattatore di ricarica piccolo	501-601-G1
Custodia di trasporto di ricambio	501-700-G1
Manipolo di ricambio (cinghia magnetica inclusa)	501-701-G1
Piattaforma di ricambio per bilancia con cavo	501-702-G1
Cinghia magnetica	501-311-P1
Sportello delle batterie di ricambio	501-308-P1

## 14 Garanzia e limitazioni di responsabilità

INFICON garantisce che il tuo strumento è esente da difetti materiali o di lavorazione per uno oppure due anni (a seconda della regione) dalla data di acquisto. INFICON non fornisce garanzia per gli elementi che si deteriorano con il normale utilizzo, tra cui batterie, sensori e filtri. Inoltre, INFICON non fornisce alcuna garanzia per strumenti che siano stati soggetti a uso improprio, negligenza o incidenti, oppure che siano stati riparati o modificati da soggetti diversi da INFICON. La responsabilità di INFICON è limitata agli strumenti ad essa resi, porto franco, entro e non oltre 30 (trenta) giorni dalla scadenza della garanzia e in cui la INFICON stessa, a proprio esclusivo giudizio, abbia rilevato difetti materiali o di lavorazione. INFICON si assume il solo obbligo di riparare o sostituire, a propria scelta, lo strumento o la parte difettosa. Questa garanzia sostituisce tutte le altre garanzie, espresse o implicite, sia di COMMERCIALIZZABILITÀ sia di IDONEITÀ PER UN PARTICOLARE SCOPO o altro. Tutte le altre garanzie sono espressamente escluse. INFICON non è responsabile per l'importo superiore al prezzo pagato a INFICON per lo strumento con l'aggiunta del porto franco per la restituzione. INFICON non è responsabile di alcun danno incidentale o consequenziale. Tutte queste responsabilità sono ESCLUSE.

# Obsah

<b>1</b>	<b>Vyloučení odpovědnosti a autorská práva .....</b>	<b>126</b>
<b>2</b>	<b>Upozornění a varování .....</b>	<b>127</b>
<b>3</b>	<b>Technické parametry .....</b>	<b>128</b>
<b>4</b>	<b>Wey-TEK Pro.....</b>	<b>129</b>
<b>5</b>	<b>Rozložení obrazovky a symboly .....</b>	<b>130</b>
<b>6</b>	<b>Obsluha .....</b>	<b>132</b>
6.1	Začínáme .....	132
6.2	Zapnutí přístroje / příprava k použití .....	132
6.3	Vážení / domovská obrazovka .....	133
6.4	Nabídka nastavení .....	134
6.5	Výstrahy .....	135
6.5.1	Používání s výstrahou.....	136
6.5.2	Výměna nádoby s chladičem / nádoby na regeneraci .....	137
6.6	Jednotky .....	137
6.7	Bluetooth .....	137
6.8	Stmívání displeje.....	138
6.9	Automatické vypnutí.....	138
<b>7</b>	<b>Výměna baterií.....</b>	<b>139</b>
<b>8</b>	<b>Aplikace.....</b>	<b>141</b>
<b>9</b>	<b>Magnetický popruh .....</b>	<b>142</b>
<b>10</b>	<b>Sada s adaptérem na plnění z menších nádob.....</b>	<b>143</b>
<b>11</b>	<b>Čištění a skladování.....</b>	<b>145</b>
<b>12</b>	<b>Výměna ovladače nebo kabelu .....</b>	<b>146</b>
<b>13</b>	<b>Náhradní díly a příslušenství .....</b>	<b>147</b>
<b>14</b>	<b>Záruka a odpovědnost – omezení.....</b>	<b>148</b>

# 1 Vyloučení odpovědnosti a autorská práva

## Vyloučení odpovědnosti

Informace obsažené v tomto návodu jsou považovány za přesné a spolehlivé. Společnost INFICON však nepřebírá žádnou odpovědnost za jeho používání a neodpovídá za žádné zvláštní, náhodné nebo následné škody související s používáním tohoto produktu.

Vzhledem k našemu pokračujícímu programu zdokonalování produktů se specifikace mohou změnit bez předchozího upozornění.

## Autorská práva

©2024 Všechna práva vyhrazena.

Reprodukce nebo úprava jakékoli části tohoto dokumentu bez povolení je nezákonná.

Wey-TEK je registrovaná ochranná známka společnosti INFICON.

Apple, logo Apple a iPhone jsou ochranné známky společnosti Apple Inc. registrované v USA a dalších zemích. App Store je ochranná známka společnosti Apple Inc.

Google Play a logo Google Play jsou ochranné známky společnosti Google LLC.

Slovní známka a logo Bluetooth® jsou registrovanými ochrannými známkami společnosti Bluetooth SIG, Inc., a jakékoli použití těchto známek společností INFICON podléhá licenci.

Ostatní ochranné známky a obchodní názvy patří příslušným vlastníkům.

## 2 Upozornění a varování

Při používání tohoto návodu věnujte pozornost poznámkám, upozorněním a varováním, které jsou v něm uvedeny. Pro účely tohoto návodu jsou definovány takto:



### **Výstraha**

**Nedodržení těchto pokynů může mít za následek zranění osob.**



### **POZOR**

**Nedodržení těchto pokynů může mít za následek nesprávné fungování přístroje Wey-TEK Pro.**



### **CAUTION**

Pokud je zařízení používáno způsobem, který není specifikován informacemi obsaženými v tomto návodu k obsluze, může být narušena ochrana poskytovaná zařízením.



Relevantní informace, které jsou užitečné pro dosažení maximální efektivity přístroje Wey-TEK Pro.

Tento přístroj byl testován podle části 15 pravidel FCC pro digitální zařízení třídy A a prohlášen za vyhovující daným limitům. Tyto limity mají poskytovat přiměřenou ochranu před škodlivým rušením při provozu tohoto přístroje v komerčním prostředí. Tento přístroj produkuje, používá a může vyzařovat vysokofrekvenční energii, a pokud není instalován a používán v souladu s návodem k použití, může způsobit škodlivé rušení rádiové komunikace. Provoz tohoto zařízení v obytné oblasti může způsobit škodlivé rušení; v takovém případě je uživatel povinen rušení odstranit na vlastní náklady.

## 3 Technické parametry

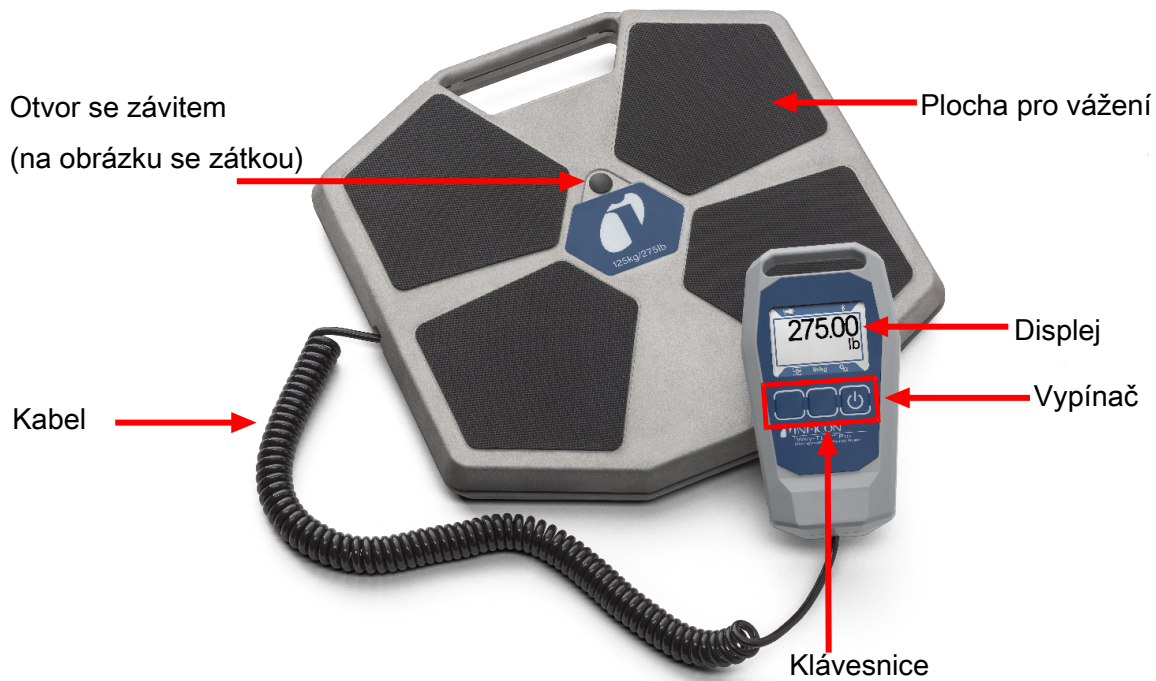
Použití	Vnitřní nebo venkovní
Max. zatížení	125 kg
Přesnost	±0,06 % odečtu
Rozlišení displeje	±3 g
Provozní teplota	-18 až 50 °C*
Skladovací teplota	-30 až 80 °C
Vlhkost	85% relativní vlhkost při 45 °C, nekondenzující
Nadmořská výška	2 000 m (6 500 ft.)
Napájení	Tři alkalické baterie AA
Životnost baterie	V závislosti na nastavení stmívání Bez stmívání: ~30 hodin Vždy ztlumené: ~150 hodin
Stupeň krytí	IP 44
Stupeň znečištění	3
Kategorie přepětí	II
Hmotnost (včetně baterií)	2 880 g (6,35 lb.)
Rozměry plochy pro vážení (Š × V × H)	29,1 × 29,1 × 3,7 cm (11,5 × 11,5 × 1,5 in.)
Délka kabelu	50,3 cm ve stočeném stavu 262 cm v nataženém stavu

\*Použití pod 0 °C by mělo být omezeno. Přesnost se může lišit při teplotách pod -10 °C.



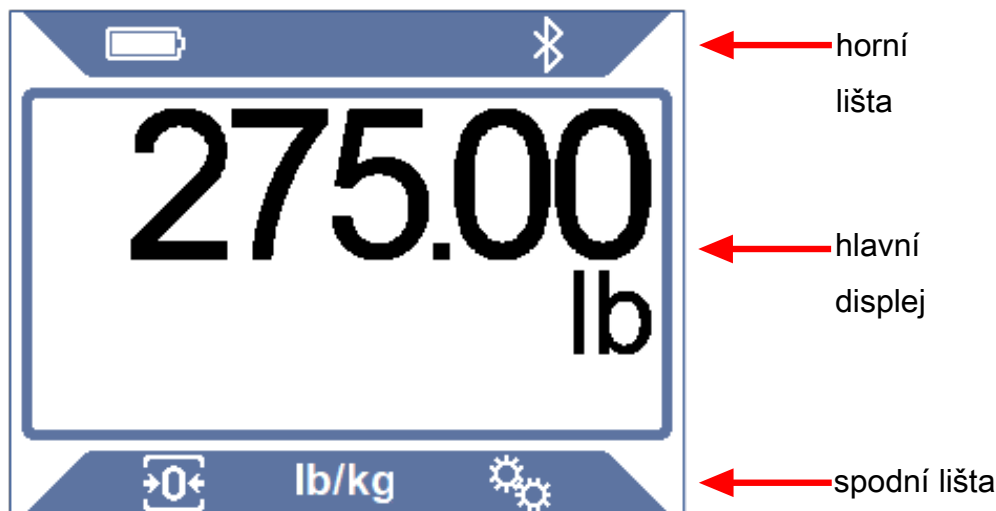
## 4 Wey-TEK Pro

Wey-TEK Pro je vysoce přesná váha určená pro použití v oblasti topení, vzduchotechniky, klimatizace a chlazení (HVAC/R) k vážení chladiva při regeneraci nebo doplňování klimatizačních nebo chladicích systémů. Váhu lze používat s přiloženým ovladačem nebo s telefonem či tabletem přes bezplatnou aplikaci.



## 5 Rozložení obrazovky a symboly

Wey-TEK Pro zobrazuje všechny ukazatele a informace na displeji. Displej se skládá z horní lišty, hlavního displeje a spodní lišty.



**Horní lišta:** Horní lišta obsahuje symbol baterie a stav Bluetooth.

Symbol	Popis
	baterie nabitá na 75–100 %
	baterie nabitá na 50–74 %
	baterie nabitá na 30–49 %
	baterie nabitá na 10–29 %
	úroveň nabití baterie je kriticky nízká, < 10 %
	Bluetooth je zapnuté
	Je připojeno zařízení s Bluetooth

**Hlavní displej:** Na hlavním displeji se zobrazují informace relevantní pro dané zobrazení. Po spuštění Wey-TEK Pro se objeví domovské zobrazení s aktuální hmotností a jednotkou. Objeví se na něm též příslušné ikony, pokud je právě spuštěná výstraha nebo se vytváří záznam.

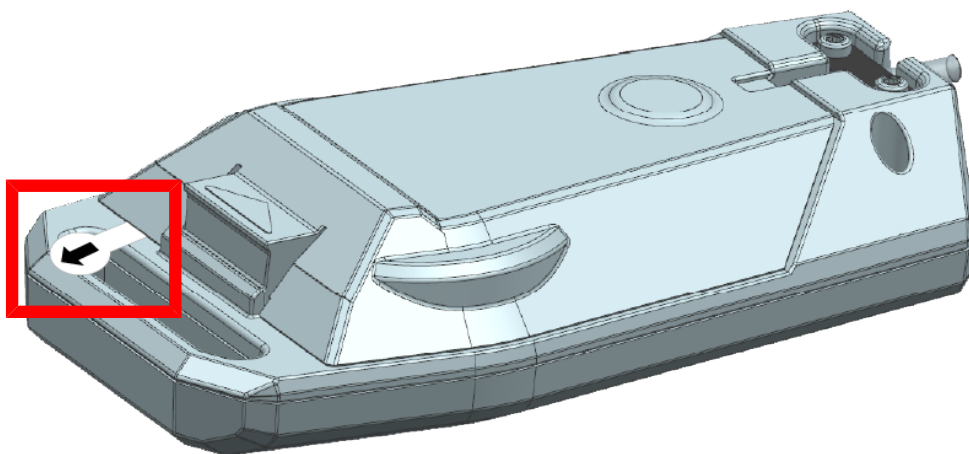
**Spodní lišta:** Na spodní liště se zobrazí možnosti pro tři funkce klávesnice. Funkce se mění v závislosti na aktuálním zobrazení a výběru. V tabulce níže jsou uvedeny jednotlivé ikony a jejich odpovídající funkce.

Symbol	Popis
	Vynulovat hmotnost / tára
lb/kg	Přepínání mezi zobrazenými jednotkami (lb/oz, lb, oz, kg, g)
	Vstup do nabídky nastavení
	Procházení možností
	Zvýraznění dalšího dostupného nastavení
	Navýšení zvýrazněné číslice
	Přesunutí kurzoru na další číslici; podržte pro vynulování nastavené hodnoty
	Vstup do vybrané nabídky nebo podnabídky nastavení; přijetí a uložení změny nastavení; přijetí dokončené výstrahy; spuštění výstrahy
	Zrušení změny; zrušení výstrahy
	Návrat na domovskou obrazovku
	Pozastavení aktuální výstrahy
	Obnovení aktuálně pozastavené výstrahy

## 6 Obsluha

### 6.1 Začínáme

Wey-TEK Pro se dodává se třemi vloženými alkalickými bateriemi AA. Před prvním spuštěním přístroje Wey-TEK Pro je nutné vyjmout izolační pásek z oddílu pro baterie na ovladači. Izolační pásek pevně uchopíte a tahem směrem k horní části ovladače jej vyjměte.



### 6.2 Zapnutí přístroje / příprava k použití

Přístroj Wey-TEK Pro zapnete nebo vypnete dlouhým stisknutím vypínače (pravé tlačítko na ovladači). Při spouštění se na přístroji Wey-TEK Pro krátce zobrazí verze firmwaru a následně domovské zobrazení.

#### UPOZORNĚNÍ

Pokud se nezapne displej, jsou vybité baterie a je třeba je vyměnit. Viz Výměna baterií [▶ 139].

## 6.3 Vážení / domovská obrazovka

Wey-TEK Pro automaticky spustí domovskou obrazovku a okamžitě v reálném čase zobrazí hmotnost. Na plochu pro vážení postavte nádrž nebo jiný předmět, který chcete zvážit. Pokud je nastavená hodnota pro výstrahu, zobrazí se ve spodní části hlavního displeje.








Na domovském zobrazení uvidíte několik symbolů a stisknutím příslušných tlačítek na klávesnici provedete následující akce:

Symbol	Popis
	Vynulování hmotnosti / tára
lb/kg	Přepínání mezi zobrazenými jednotkami (lb/oz, lb, oz, kg, g)
	Vstup do nabídky nastavení

## 6.4 Nabídka nastavení

Pomocí klávesnice v nabídce nastavení vyberte a zadejte nastavení konkrétních funkcí. Aktuálně vybraná podnabídka je zvýrazněna tmavě modrou barvou.



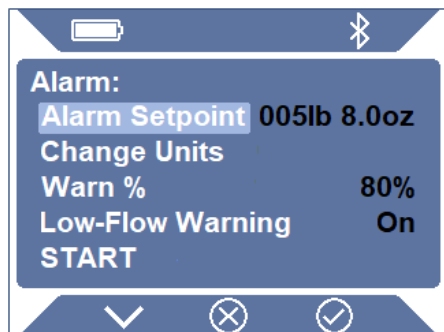
Symbol	Popis
	Nabídka nastavení výstrahy – nastavení výstrahy na základě hmotnosti
<b>lb/kg</b>	Nabídka nastavení jednotek – změna zobrazených jednotek
	Nabídka nastavení Bluetooth – zapnutí nebo vypnutí Bluetooth
	Nabídka nastavení ztlumení displeje – vyberte, zda se má displej ztlumit, aby se šetřila baterie
	Nabídka nastavení automatického vypnutí – vyberte, zda se má váha po uplynutí nastavené doby automaticky vypnout
	Nabídka Informace o zařízení – zobrazuje základní informace o hmotnosti, včetně verze firmwaru, MAC adresy a FCC informací

## 6.5 Výstrahy

Přístroj Wey-TEK Pro umožňuje nastavit výstrahy na základě nastavené hmotnosti. Lze je nastavit buď pro regeneraci, nebo pro plnění chladičem. Výstrahy se nastavují v nabídce nastavení výstrah.

### UPOZORNĚNÍ

Ovladač Wey-TEK Pro není vybaven zvukovou signalizací. Výstrahy jsou pouze vizuální. Požadujete-li zvukovou signalizaci, stáhněte si aplikaci Wey-TEK Pro. Viz .




Nabídka nastavení výstrah zobrazuje aktuální nastavení související s výstrahou a umožňuje vám vstoupit do podnabídek a toto nastavení upravovat.

Alarm Setpoint (nastavená hodnota výstrahy)	Tuto nabídku vyberte, pokud chcete změnit nastavenou hmotnost.
Change Units (změna jednotek)	Umožňuje změnit jednotky. Možnosti jsou <b>lb/oz</b> , <b>lb</b> , <b>oz</b> , <b>kg</b> nebo <b>g</b> . POZNÁMKA: Změnou jednotek se nastavená hodnota výstrahy vynuluje.
Warn % (varování %)	Zvolte procento nastavené hodnoty pro výstrahu, při které chcete upozornit, že se blížíte nastavené hmotnosti. Možnosti jsou <b>Disabled</b> (deaktivováno), <b>70 %</b> , <b>80 %</b> nebo <b>90 %</b> .
Low-Flow Warning (upozornění na nízký průtok)	Zapnutím této možnosti se zobrazí vizuální upozornění, pokud se hmotnost během dvou minut změní o méně než 30 g.
START	Spustí výstrahu.



## 6.5.1 Používání s výstrahou

- 1 Vstupte do nabídky nastavení výstrahy.
- 2 Zadejte parametry výstrahy.
- 3 Vyberte možnost **START**. Wey-TEK Pro se vrátí na domovské zobrazení, vynuluje se a začne vážit. Nastavená hodnota se zobrazuje ve spodní části displeje.
- 4 Po skončení výstrahy bude displej blikat zeleně a zobrazí se celkové množství přečerpaného chladiva. Stisknutím tlačítka  výstrahu potvrdíte a vymažete.

### UPOZORNĚNÍ



Chcete-li výstrahu zrušit, stiskněte kdykoli v průběhu tlačítko .





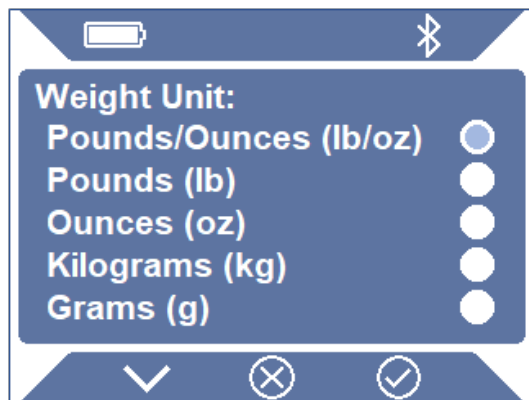
## 6.5.2 Výměna nádoby s chladičem / nádoby na regeneraci

Pokud je nastavená výstraha a je třeba během plnění/regenerace vyměnit nádobu:

- 1 Zavřete ventil nádoby. Váha se stabilizuje. To může chvíli trvat.
- 2 Stiskněte tlačítko .
- 3 Vyměňte nádobu.
- 4 Stiskněte tlačítko . Wey-TEK Pro si zapamatuje přečerpanou hmotnost a obnoví výstrahu/záznam.
- 5 Otevřete ventil u nové nádoby.

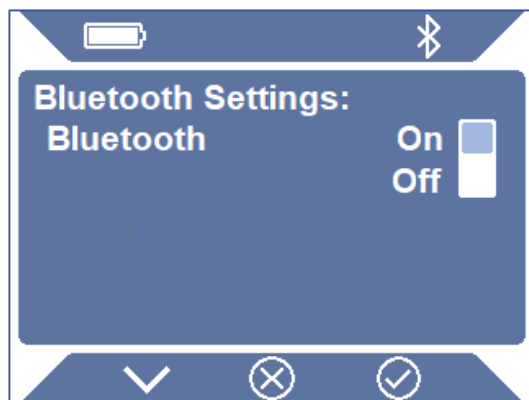
## 6.6 Jednotky

Nabídka Jednotky umožňuje nastavení zobrazených jednotek. To lze provést také na domovském zobrazení. Jednotky lze zobrazit v lb/oz, lb, oz, kg, g. Výchozí nastavení je lb/oz.



## 6.7 Bluetooth

Nabídka Bluetooth umožňuje povolit nebo zakázat Bluetooth. Bluetooth je vyžadováno pouze pro používání mobilní aplikace. Když je Bluetooth povoleno, můžete v aplikaci spárovat své mobilní zařízení. Výchozí nastavení Bluetooth je „On“.



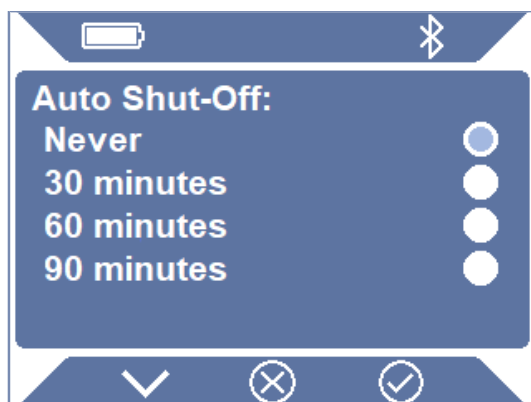
## 6.8 Stmívání displeje

Nabídka stmívání displeje umožňuje šetřit baterii tím, že po uplynutí nastavené doby sníží jas obrazovky. Výchozí nastavení je 1 minuta.



## 6.9 Automatické vypnutí

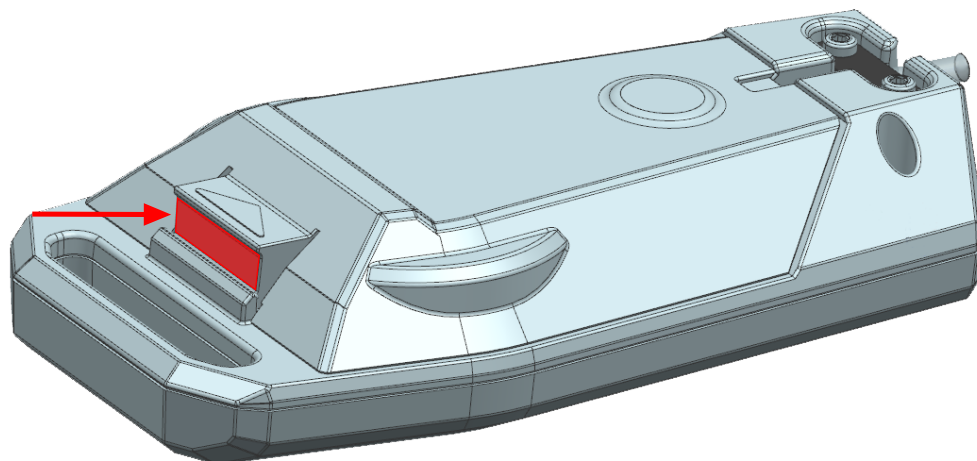
Nabídka automatického vypnutí umožňuje změnit dobu, po které se Wey-TEK Pro sám vypne. Časovač (není zobrazený na displeji) se resetuje při jakémkoli stisknutí tlačítka nebo změně hmotnosti. Výchozí nastavení je „Never“ (nikdy).



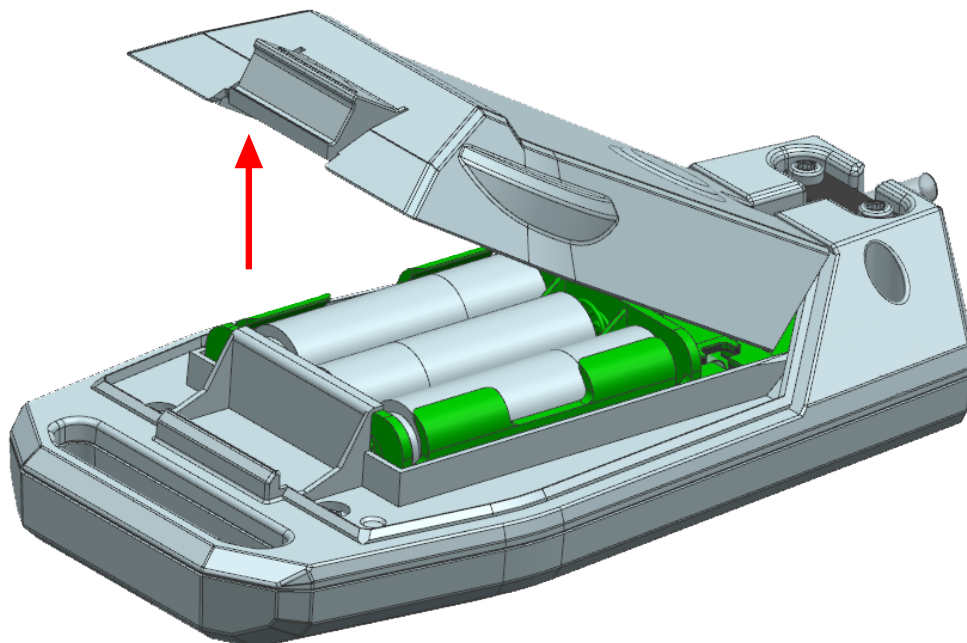
## 7 Výměna baterií

Wey-TEK Pro se napájí třemi alkalickými bateriemi AA. Kryt baterie najdete na zadní straně ovladače.

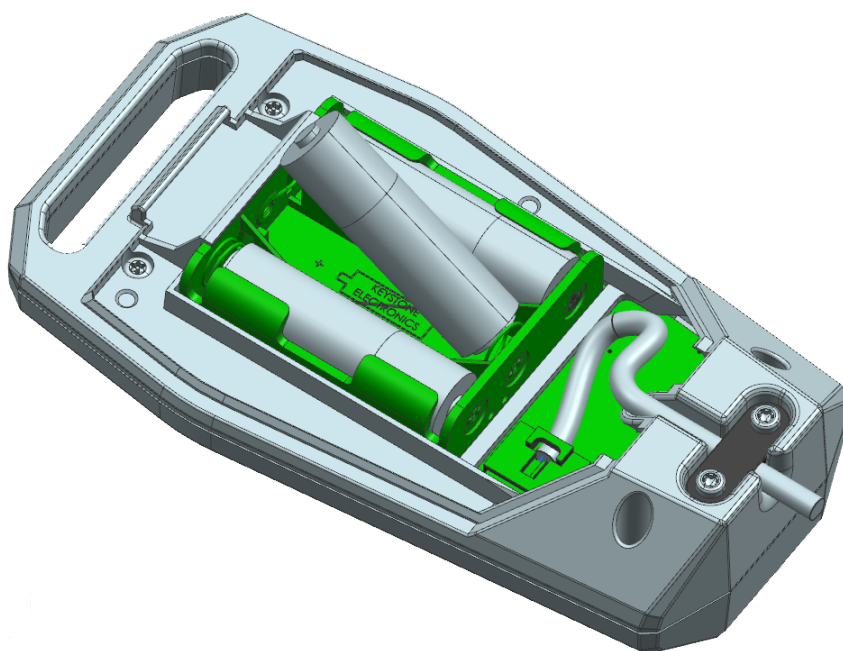
- 1 Otočte ovladač a ve směru šipky zatlačte na západku krytu baterií pod okrajem.



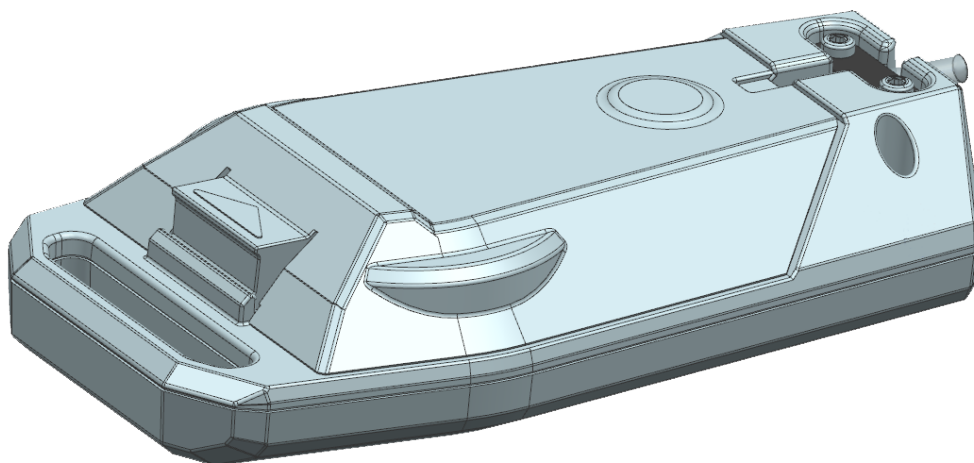
- 2 Sejměte kryt baterií.



- 3 Vyjměte a vyměňte vybité baterie.



- 4 Kryt vraťte zpět na místo.



Vybité alkalické baterie zlikvidujte v souladu s platnými státními a místními předpisy. Pokud žádné takové předpisy neexistují, baterie recyklujte a/nebo likvidujte přes dobrovolný systém recyklace odpadu.

## 8 Aplikace

Stáhněte si do svého chytrého telefonu nebo tabletu bezplatnou aplikaci Wey-TEK Pro, kde najdete další funkce.

Aplikace Wey-TEK Pro vám umožňuje:

- přístup ke stejným funkcím jako na ovladači
- nastavení výstrahy se zvukovými a vizuálními upozorněními
- uložení a sdílení protokolů úloh, včetně obrázků a informací o zákaznících
- aktualizaci firmwaru Wey-TEK Pro

### UPOZORNĚNÍ

Pro párování s aplikací nemusí být váha v režimu párování.

Aplikace je k dispozici ke stažení v App Store® nebo na Google Play™.



## 9 Magnetický popruh

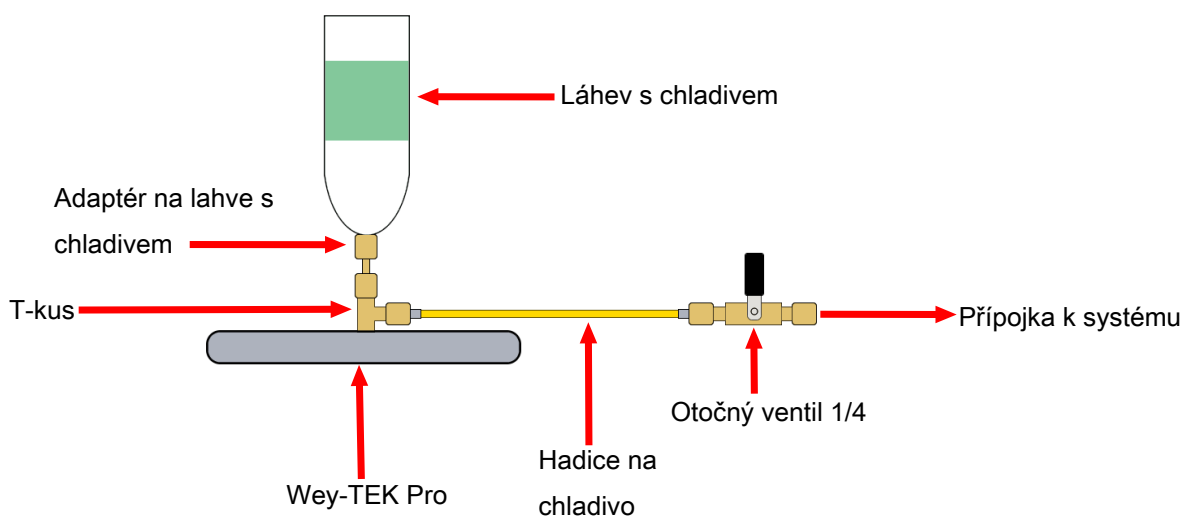
Wey-TEK Pro je vybaven magnetickým popruhem, za který se dá ovladač zavěsit a uvolnit si tak ruce. Popruh se protáhne poutkem na ovladači a zapíná se pomocí suchého zipu. Ovladač můžete zavěsit buď pomocí magnetu, nebo popruh obtočte kolem trubky či jiného předmětu.

## 10 Sada s adaptérem na plnění z menších nádob

Sada s adaptérem na plnění z menších nádob (číslo dílu 501-601-G1) je volitelné příslušenství, které umožňuje připojení malé nádoby s chladivem, běžné u hořlavých chladiv A3, k váze. Udržuje nádobu bezpečně obrácenou pro snadné plnění.

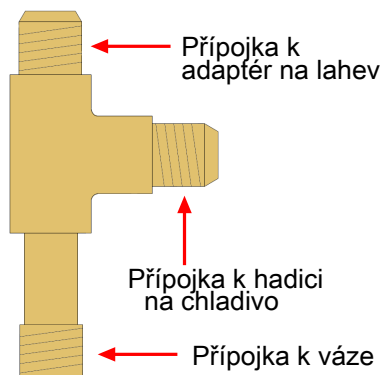
Sada s adaptérem na plnění z menších nádob obsahuje:

- T-kus s vnějším závitem 1/4 SAE na lahve
- otočný ventil 1/4
- 18in. (457mm) hadici na chladivo s vnitřním průměrem 2 mm
- adaptér na lahve CGA600 s vnitřním závitem na 7/16-28 (EN417 Lindal) s vnějším závitem
- adaptér na lahve 7/16-28 (EN 417 Lindal) s vnitřním závitem na 1/4 SAE s vnitřním závitem
- 1/4 SAE vnitřní závit na 1/4 SAE vnitřní adaptér na láhev



Použití sady s adaptérem:

- 1 Malým plochým šroubovákem nebo podobným nástrojem odstraňte z plochy pro vážení malou plastovou zátku.
- 2 Na plochu pro vážení našroubujte T-kus.



- 3 Vyberte vhodný adaptér pro danou láhev s chladivem a připojte jej k T-kusu.
- 4 K T-kusu připojte jeden konec hadice na chladivo a druhý konec k otočnému ventilu 1/4.
- 5 Otočný ventil 1/4 přestavte do uzavřené polohy a na adaptér nasadte láhev s chladivem.
- 6 K systému připojte otočný ventil 1/4.
- 7 Pomalu otevřete otočný ventil 1/4. Začne plnění systému. Po skončení ventil zavřete.

## UPOZORNĚNÍ

Ručně dotáhněte všechny spoje.



# 11 Čištění a skladování

Wey-TEK Pro lze čistit jemným čisticím prostředkem nebo izopropylalkoholem. Je třeba dbát na to, aby se čisticí prostředek nedostal do ovladače. K čištění nepoužívejte benzín, aceton ani jiná agresivní rozpouštědla, protože by mohla poškodit plastové části nebo displej.

## UPOZORNĚNÍ

Plocha na vážení je vyrobena z hliníku a některá rozpouštědla na ní mohou zanechat skvrny.

## 12 Výměna ovladače nebo kabelu

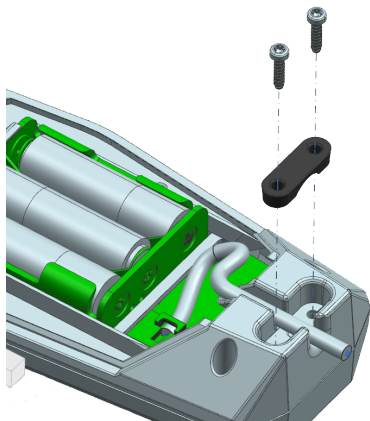
V případě poškození ovladače nebo kabelu je možné vyměnit buď ovladač (číslo dílu 501-701-G1), nebo sestavu plochy na vážení / kabelu (číslo dílu 501-702-G1). Kabel je pevně spojený se snímačem zatížení uvnitř váhy, proto je třeba je vyměnit společně.



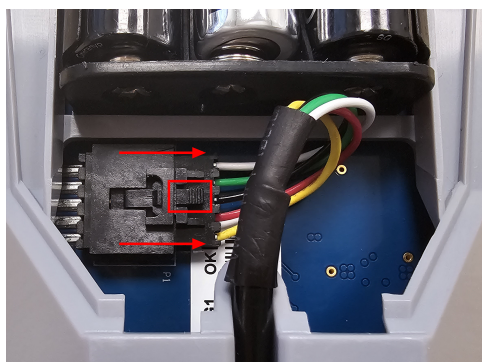
Před výměnou se doporučuje uzemnit, aby nedošlo k poškození ovladače elektrostatickým výbojem.

Výměna ovladače nebo plochy/kabelu:

- 1 Vypněte Wey-TEK Pro.
- 2 Sejměte kryt baterií z ovladače.
- 3 Pomocí hvězdicového šroubováku T10 povolte dva šrouby na ovladači.



- 4 Odstraňte držák kabelu.
- 5 Zatlačte na zámek na konektoru a OPATRNE konektor vytáhněte ze zdířky.



- 6 Vyměňte ovladač nebo sestavu plochy/kabelu a vše v opačném pořadí vraťte znovu na místa.

### UPOZORNĚNÍ

Šrouby příliš neutahujte.

## 13 Náhradní díly a příslušenství

Sada s adaptérem na plnění z menších nádob	501-601-G1
Náhradní pouzdro	501-700-G1
Náhradní ovladač (včetně magnetického popruhu)	501-701-G1
Náhradní plošina na vážení s kabelem	501-702-G1
Magnetický popruh	501-311-P1
Náhradní kryt baterií	501-308-P1

## 14 Záruka a odpovědnost – omezení

Společnost INFICON zaručuje, že váš přístroj bude bez vad materiálu nebo zpracování po dobu jednoho či dvou let (v závislosti na regionu) od data zakoupení. Společnost INFICON neposkytuje záruku na položky, které se při normálním používání opotřebovávají, včetně baterií, snímačů a filtrů. Kromě toho společnost INFICON neposkytuje záruku na přístroje, které byly vystaveny nesprávnému používání, nedbalosti či nehodě, nebo které byly opraveny či upraveny někým jiným než společností INFICON. Odpovědnost společnosti INFICON se omezuje pouze na přístroje vrácené společnosti INFICON s předem zaplacenou dopravou nejpozději do třiceti (30) dnů po uplynutí záruční doby, u nichž společnost INFICON usoudí, že nefungovaly správně z důvodu vadného materiálu nebo zpracování. Odpovědnost společnosti INFICON se omezuje na opravu nebo výměnu vadného přístroje či dílu podle rozhodnutí společnosti. Tato záruka nahrazuje všechny ostatní záruky, výslovné nebo předpokládané, ať už jde o záruku PRODEJNOSTI, nebo VHODNOSTI PRO URČITÝ ÚČEL, nebo jiné. Všechny takové ostatní záruky jsou výslovně vyloučeny. Společnost INFICON nenese žádnou odpovědnost přesahující cenu zaplacenou společností INFICON za přístroj plus předem zaplacené poplatky za dopravu zpět. Společnost INFICON nenese žádnou odpovědnost za jakékoli náhodné nebo následné škody. Všechny takové závazky jsou VYLOUČENY.

# Spis treści

<b>1 Wyłączenie odpowiedzialności i prawa autorskie.....</b>	<b>150</b>
<b>2 Przystrogi i ostrzeżenia .....</b>	<b>151</b>
<b>3 Dane techniczne .....</b>	<b>152</b>
<b>4 Wey-TEK Pro.....</b>	<b>153</b>
<b>5 Układ ekranu i symbole .....</b>	<b>154</b>
<b>6 Obsługa .....</b>	<b>156</b>
6.1 Rozpoczęcie pracy.....	156
6.2 Włączanie / przygotowanie urządzenia do użycia.....	156
6.3 Ważenie / Ekran główny.....	157
6.4 Menu ustawień .....	158
6.5 Alarmy .....	159
6.5.1 Obsługa funkcji alarmu .....	160
6.5.2 Wymiana butli czynnika chłodniczego / odzysku czynnika .....	161
6.6 Jednostki .....	161
6.7 Bluetooth .....	162
6.8 Przyciemnianie ekranu .....	162
6.9 Automatyczne wyłączenie .....	163
<b>7 Wymiana baterii.....</b>	<b>164</b>
<b>8 Aplikacja.....</b>	<b>166</b>
<b>9 Pasek magnetyczny .....</b>	<b>167</b>
<b>10 Zestaw adapterów do małych obciążeń .....</b>	<b>168</b>
<b>11 Czyszczenie i przechowywanie.....</b>	<b>170</b>
<b>12 Wymiana terminala lub kabla .....</b>	<b>171</b>
<b>13 Części zamienne i akcesoria .....</b>	<b>172</b>
<b>14 Gwarancja i ograniczenie odpowiedzialności .....</b>	<b>173</b>

# 1 Wyłączenie odpowiedzialności i prawa autorskie

## Zastrzeżenie

Informacje zawarte w niniejszej instrukcji są uważane za dokładne i wiarygodne. INFICON nie ponosi jednak żadnej odpowiedzialności w związku z wykorzystaniem tych informacji i nie może odpowiadać za jakiegokolwiek szkody specjalne, przypadkowe lub następcze, związane z użytkowaniem tego produktu.

Ze względu na nasz ciągły program ulepszania produktów, specyfikacje mogą ulec zmianie bez powiadomienia.

## Prawa autorskie

©2024 Wszelkie prawa zastrzeżone.

Powielanie lub przetwarzanie jakiegokolwiek części niniejszego dokumentu bez zezwolenia jest niezgodne z prawem.

Wey-TEK jest zastrzeżonym znakiem towarowym firmy INFICON.

Apple, logo Apple i iPhone są znakami towarowymi firmy Apple Inc. zarejestrowanymi w Stanach Zjednoczonych i innych krajach. App Store jest znakiem usługowym firmy Apple Inc.

Google Play i logo Google Play są znakami towarowymi Google LLC.

Znak słowny i logo Bluetooth® są zastrzeżonymi znakami towarowymi należącymi do Bluetooth SIG, Inc. i każde użycie tych znaków przez INFICON jest objęte licencją.

Inne znaki towarowe i nazwy handlowe należą do ich właścicieli.

## 2 Przestrogi i ostrzeżenia

Podczas korzystania z niniejszej instrukcji należy dokładnie zapoznać się z wszystkimi zawartymi w niej uwagami, przestrogami i ostrzeżeniami. Dla celów niniejszej instrukcji są one przedstawione w następujący sposób:



### **OSTRZEŻENIE**

Niezastosowanie się do tych komunikatów może spowodować obrażenia ciała.



### **UWAGA**

Nieprzestrzeganie tych komunikatów może skutkować niską wydajnością urządzenia Wey-TEK Pro.



### **CAUTION**

Jeśli sprzęt będzie używany w sposób nieokreślony w informacjach zawartych w niniejszej instrukcji obsługi, ochrona zapewniana przez sprzęt może zostać osłabiona.



Istotne informacje, które są przydatne do osiągnięcia maksymalnej wydajności urządzenia Wey-TEK Pro.

To urządzenie zostało przetestowane i uznane za spełniające wymogi w zakresie ograniczeń dla urządzeń cyfrowych klasy A, zgodnie z częścią 15 przepisów FCC. Ograniczenia te mają na celu zapewnienie rozsądnej ochrony przed szkodliwymi zakłóceniami, gdy sprzęt jest używany w środowisku komercyjnym. To urządzenie generuje, wykorzystuje i może emitować energię o częstotliwości radiowej, a jeśli nie jest zainstalowane i używane zgodnie z instrukcją obsługi, może powodować szkodliwe zakłócenia w komunikacji radiowej. Działanie tego urządzenia w obszarze mieszkalnym może powodować szkodliwe zakłócenia, w którym to przypadku użytkownik będzie zobowiązany do usunięcia zakłóceń na własny koszt.

## 3 Dane techniczne

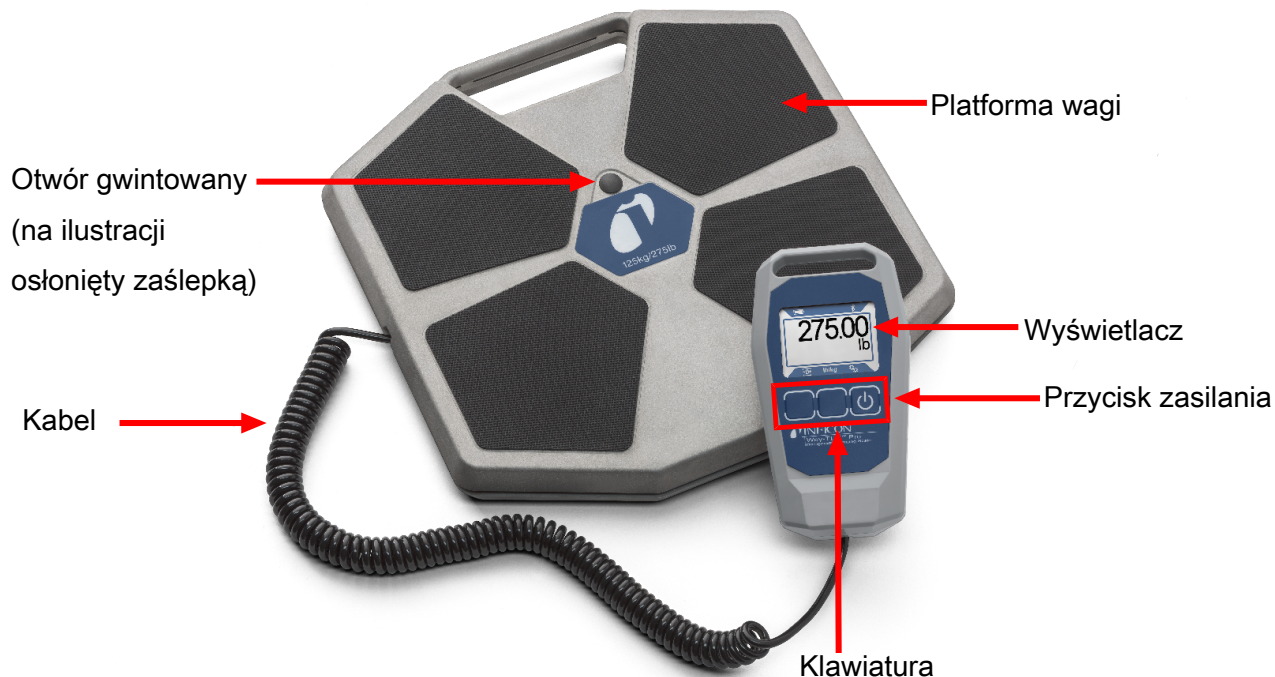
Zastosowanie	Wewnątrz/na zewnątrz pomieszczeń
Udźwig	125 kg (275 lb.)
Dokładność	±0,06% odczytu ± 3 g (0,1 oz) (w zależności od tego, która wartość jest większa)
Rozdzielczość wyświetlacza	g: 3 g oz.: 0,01 oz lb.: 0,01 lb. lb./oz: 0,02 oz kg: 0,01 kg
Temperatura pracy	od -18 do +50°C (od 0 do 122°F)*
Temperatura przechowywania	od -30 do +80°C (od -22 do 176°F)
Wilgotność	85% wilgotności względnej przy 45°C (113°F), bez kondensacji
Wysokość n.p.m.	2000 m (6500 ft.)
Zasilanie	3 baterie alkaliczne AA
Żywotność akumulatora	W zależności od ustawień przyciemnienia wyświetlacza Bez przyciemnienia: ~30 godzin Zawsze przyciemniony: ~150 godzin
Stopień ochrony IP	IP44
Stopień zanieczyszczenia	3
Kategoria przepięciowa	II
Masa (łącznie z bateriami)	6,35 lb. (2880 g)
Wymiary platformy (szer. x wys. x gł.)	29,1 x 29,1 x 3,7 cm (11,5 x 11,5 x 1,5 in.)
Długość kabla	~19,8 in. (50,3 cm) zwinięty ~103 in. (262 cm) rozwinięty

\*Należy ograniczyć stosowanie w temperaturze poniżej 0°C. Dokładność może się różnić w temperaturach poniżej -10°C.



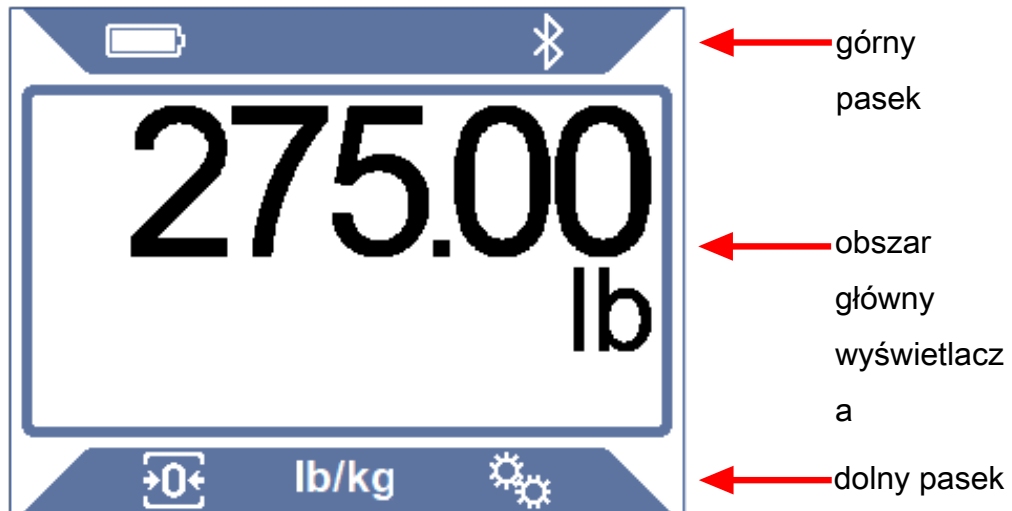
## 4 Wey-TEK Pro

Wey-TEK Pro to waga o wysokiej dokładności zaprojektowana do użytku w zastosowaniach HVAC/R do ważenia czynnika chłodniczego podczas odzyskiwania lub ładowania układów klimatyzacji lub chłodniczych. Waga może być używana z dołączonym terminalem lub z telefonem lub tabletem za pomocą bezpłatnej aplikacji do pobrania.



## 5 Układ ekranu i symbole

Wszystkie wskaźniki i informacje wyświetlają się na ekranie urządzenia Wey-TEK Pro. Wyświetlacz jest podzielony na obszary paska górnego, głównego wyświetlacza i paska dolnego.



**Górny pasek:** górny pasek zawiera symbol baterii i status Bluetooth.

Symbol	Opis
	Poziom naładowania akumulatora 75–100%
	Poziom naładowania akumulatora 50–74%
	Poziom naładowania akumulatora 30–49%
	Poziom naładowania akumulatora 10–29%
	Naładowanie akumulatora jest krytycznie niskie < 10%
	Bluetooth jest włączony
	Urządzenie Bluetooth jest podłączone

**Obszar główny wyświetlacza:** w obszarze głównym wyświetlacza pokazują się informacje dotyczące bieżącego ekranu. Po uruchomieniu urządzenia Wey-TEK Pro automatycznie wyświetla się ekran główny, który pokazuje aktualną wartość masy i jednostki. Wyświetli również odpowiednie wskaźniki, jeśli trwa alarm lub rejestracja.

**Dolny pasek:** na dolnym pasku wyświetlane są opcje trzech funkcji klawiatury.

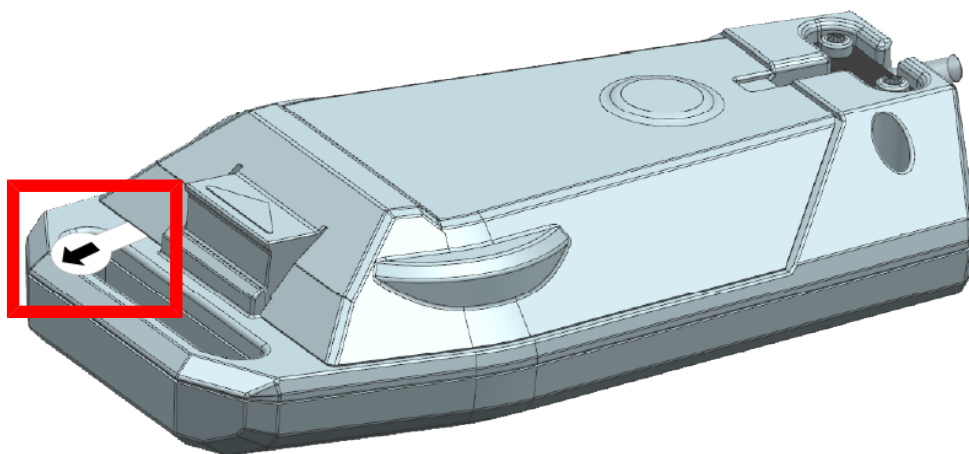
Funkcje zmieniają się w zależności od bieżącego ekranu i wyboru. Poniższa tabela przedstawia różne ikony i odpowiadające im funkcje.

Symbol	Opis
	Zerowanie/tarowanie wagi
	Przełączanie między wyświetlanymi jednostkami (lb/oz, lb, oz, kg, g)
	Wejście do menu ustawień
	Przewijanie opcji w dół
	Podświetlenie następnego dostępnego ustawienia
	Powiększenie podświetlonej cyfry
	Przesunięcie kursora do następnej cyfry; po przytrzymaniu zerowanie wartości zadanej
	Wejście do wybranego menu lub podmenu ustawień; zaakceptowanie i zapisanie zmiany ustawień; zaakceptowanie zakończonego alarmu/rejestracji; uruchomienie alarmu.
	Anulowanie zmiany; anulowanie alarmu
	Powrót do ekranu początkowego
	Wstrzymanie aktualnego alarmu
	Wznowienie aktualnie wstrzymanego alarmu

## 6 Obsługa

### 6.1 Rozpoczęcie pracy

Wey-TEK Pro jest dostarczany z zainstalowanymi trzema bateriami alkalicznymi AA. Przed pierwszym włączeniem urządzenia Wey-TEK Pro należy usunąć taśmę izolacyjną baterii z komory terminala. Mocno chwycić taśmę izolacyjną i pociągnąć w kierunku górnej części terminala, aby ją zdjąć.



### 6.2 Włączanie / przygotowanie urządzenia do użycia

Aby włączyć lub wyłączyć urządzenie Wey-TEK Pro, nacisnąć i przytrzymać przycisk zasilania (najdalszy prawy przycisk na terminalu). Podczas uruchamiania, na wyświetlaczu Wey-TEK Pro przez krótki czas wyświetla się wersja oprogramowania sprzętowego, a następnie wyświetla się ekran główny.

#### WSKAZÓWKA

Jeśli ekran nie włącza się, oznacza to, że baterie są rozładowane i wymagają wymiany. Patrz Wymiana baterii [► 164].

## 6.3 Ważenie / Ekran główny

Po uruchomieniu urządzenia Wey-TEK Pro automatycznie wyświetla się ekran główny i natychmiast potem wskazania ciężaru w czasie rzeczywistym. Umieścić zbiornik lub inny przedmiot na platformie wagi w celu zważenia. Jeśli ustawiony jest alarm, wartość zadana zostanie wyświetlona w dolnej części głównego wyświetlacza.








Na ekranie głównym nacisnąć odpowiednie przyciski na klawiaturze, aby wykonać następujące czynności:

Symbol	Opis
	Zerowanie/tarowanie wagi
lb/kg	Przełączanie między wyświetlanymi jednostkami (lb/oz, lb, oz, kg, g)
	Wejście do menu ustawień

## 6.4 Menu ustawień

Użyć klawiatury w menu ustawień, aby wybrać i wprowadzić ustawienia dla określonych funkcji. Aktualnie wybrane podmenu jest podświetlone na ciemnoniebiesko.



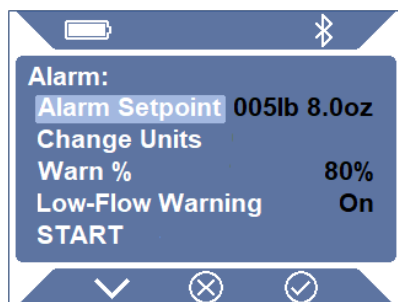
Symbol	Opis
	Menu ustawień alarmów - ustawianie alarmów na podstawie ciężaru
<b>lb/kg</b>	Menu ustawień jednostki - zmiana jednostek wyświetlania
	Menu ustawień Bluetooth - włączanie lub wyłączanie funkcji Bluetooth
	Menu ustawień przyciemniania ekranu - określenie, czy ekran ma być przyciemniany w celu oszczędzania baterii.
	Menu ustawienia automatycznego wyłączenia – określenie, czy waga ma wyłączać się automatycznie po upływie ustawionego czasu
	Menu "Informacje" – wyświetla podstawowe informacje o wadze, w tym wersję oprogramowania sprzętowego, adres MAC i informacje FCC

## 6.5 Alarmy

Wey-TEK Pro może ustawiać alarmy na podstawie wartości zadanej ciężaru. Może ona być zastosowana zarówno do odzyskiwania, jak i ładowania czynników chłodniczych. Alarmy są ustawiane w menu ustawień alarmów.

### WSKAZÓWKA

Wey-TEK Pro nie posiada alarmów dźwiękowych w terminalu. Alarmy są tylko wizualne. Aby uzyskać alarmy dźwiękowe, należy pobrać aplikację Wey-TEK Pro. Patrz .




Ekran ustawień alarmu wyświetla bieżące ustawienia związane z alarmem i umożliwia przejście do podmenu w celu edycji tych ustawień.


Wartość zadana alarmu	Wybierz to menu, aby zmienić wartość zadaną ciężaru.
Zmiana jednostek	Umożliwia zmianę jednostek. Dostępne opcje to <b>lb/oz</b> , <b>lb</b> , <b>oz</b> , <b>kg</b> lub <b>g</b> .  UWAGA: zmiana jednostek powoduje wyzerowanie wartości zadanej alarmu.
Ostrzeżenie %	Wybrać wartość procentową wartości zadanej alarmu, przy której ma być wyświetlane ostrzeżenie o zbliżaniu się do ciężaru generującego alarm. Dostępne opcje to <b>Wyłączone</b> , <b>70%</b> , <b>80%</b> lub <b>90%</b> .
Ostrzeżenie o niskim przepływie	Włączenie tego ustawienia spowoduje wyświetlenie ostrzeżenia wizualnego, jeśli masa zmieni się o mniej niż 30 g w ciągu dwóch minut.
START	Uruchamia alarm.



## 6.5.1 Obsługa funkcji alarmu

- 1 Wejść do menu ustawień alarmu.
- 2 Ustawić parametry alarmu.
- 3 Wybrać **START**. Wey-TEK Pro powraca do ekranu głównego, zeruje i rozpoczyna ważenie. Wartość zadana jest wyświetlana w dolnej części ekranu.
- 4 Po zakończeniu alarmu ekran miga na zielono i wyświetla całkowitą ilość przeniesionego czynnika chłodniczego. Nacisnąć , aby zaakceptować i skasować alarm.

### WSKAZÓWKA



Aby anulować alarm, nacisnąć  w dowolnym momencie jego trwania.





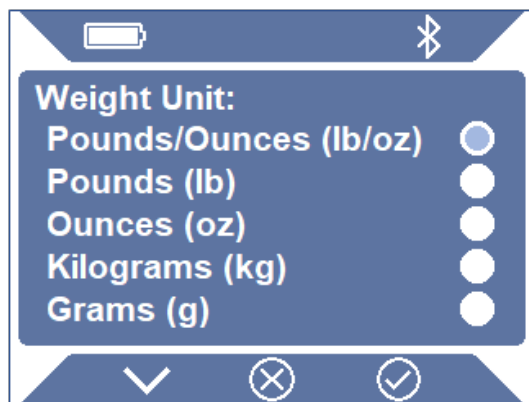
## 6.5.2 Wymiana butli czynnika chłodniczego / odzysku czynnika

Jeśli ustawiony zostanie alarm i konieczna będzie wymiana butli podczas procesu ładowania/odzyskiwania:

- 1 Zamknąć zawór butli. Stabilizowanie się wagi może chwilę potrwać.
- 2 Nacisnąć .
- 3 Wymienić butlę.
- 4 Nacisnąć . Wey-TEK Pro zapamiętuje przeniesioną masę i przywraca proces alarmu/rejestracji.
- 5 Otworzyć zawór nowej butli.

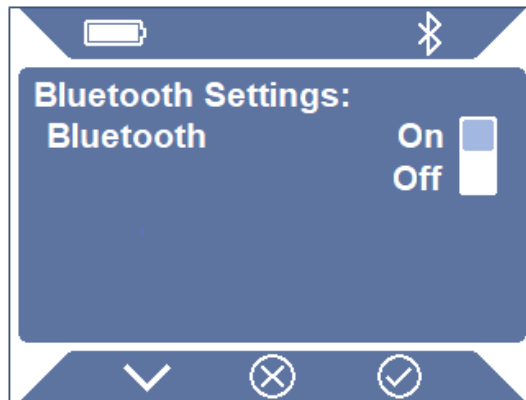
## 6.6 Jednostki

Menu Jednostki umożliwia ustawienie wyświetlanych jednostek. Można to również zrobić na ekranie głównym. Jednostki mogą być wyświetlane w lb/oz, lb, oz, kg, g. Domyślnie jest to lb/oz.



## 6.7 Bluetooth

Menu Bluetooth umożliwia włączenie lub wyłączenie funkcji Bluetooth. Bluetooth jest wymagany tylko do korzystania z aplikacji mobilnej. Po włączeniu funkcji Bluetooth można sparować urządzenie mobilne w aplikacji. Domyślnym ustawieniem Bluetooth jest Wł.



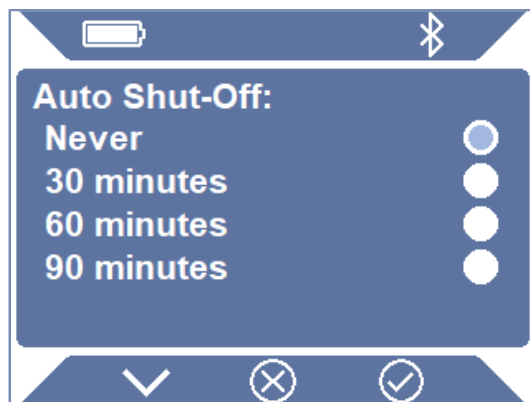
## 6.8 Przyciemnianie ekranu

Menu przyciemniania ekranu pozwala oszczędzać baterię, przyciemniając ekran do niskiej jasności po określonym czasie. Ustawienie domyślne to 1 minuta.



## 6.9 Automatyczne wyłączenie

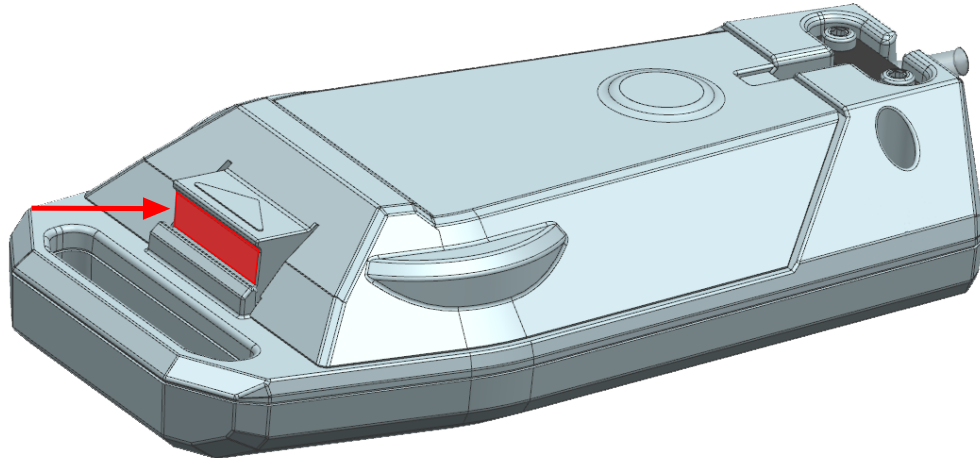
Menu automatycznego wyłączenia umożliwia zmianę czasu, po którym urządzenie Wey-TEK Pro wyłączy się samoczynnie. Timer (niewyświetlany) resetuje się po każdym naciśnięciu przycisku lub zmianie ciężaru. Ustawieniem domyślnym jest Nigdy.



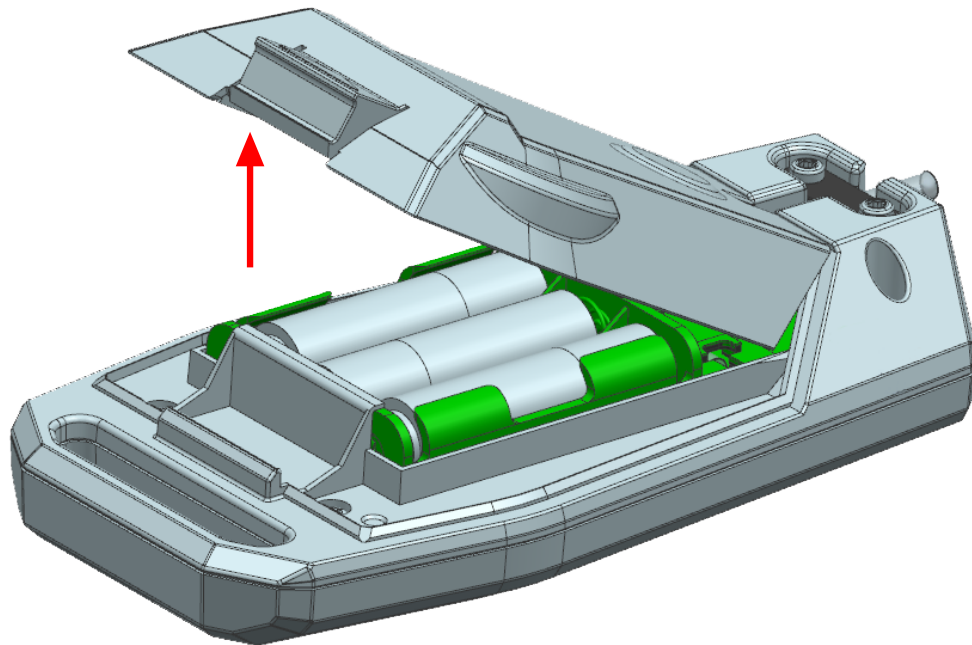
## 7 Wymiana baterii

Urządzenie Wey-TEK Pro jest zasilane trzema bateriami alkalicznymi AA. Pokrywa komory baterii znajduje się w tylnej części sterownika ręcznego.

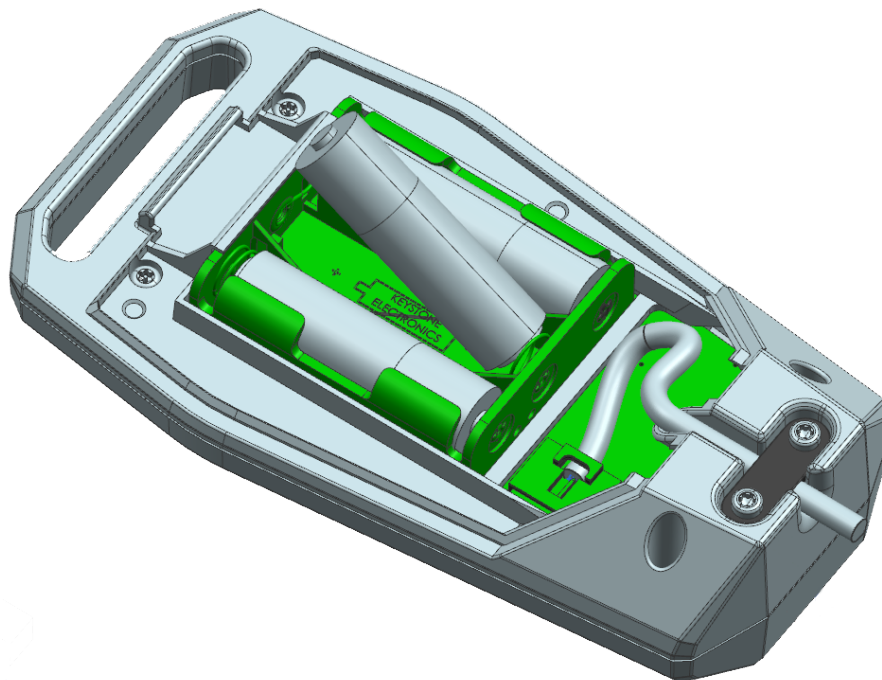
- 1 Odwrócić terminal i nacisnąć w kierunku strzałki na zatrzasku komory baterii poniżej krawędzi.



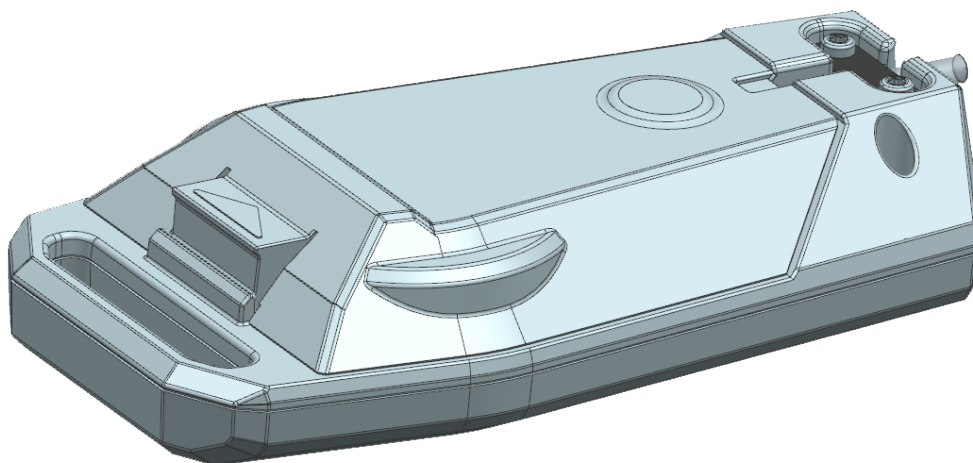
- 2 Wyjąć pokrywę komory baterii.



3 Wyjąć i wymienić wyczerpane baterie.



4 Założyć pokrywę komory baterii.



Utylizować rozładowane baterie alkaliczne zgodnie z obowiązującymi przepisami krajowymi i lokalnymi. W przypadku braku takich przepisów, baterie należy poddać recyklingowi i/lub zutylizować w ramach dobrowolnego programu recyklingu odpadów.

## 8 Aplikacja

Aby uzyskać dostęp do dodatkowych funkcji, należy pobrać bezpłatną aplikację Wey-TEK Pro na smartfon lub tablet.

Aplikacja Wey-TEK Pro umożliwia:

- Dostęp do takich samych funkcji jak w przypadku sterownika ręcznego
- Ustawianie alarmów z powiadomieniami dźwiękowymi i wizualnymi
- Zapisywanie i udostępnianie rejestrów zadań, w tym zdjęć i informacji o klientach
- Aktualizację oprogramowania firmowego Wey-TEK

### WSKAZÓWKA

Aby sparować wagę z aplikacją, nie jest konieczne ustawienie wagi w trybie parowania.

Aplikacja jest dostępna do pobrania z serwisów App Store® lub Google Play™.



## 9 Pasek magnetyczny

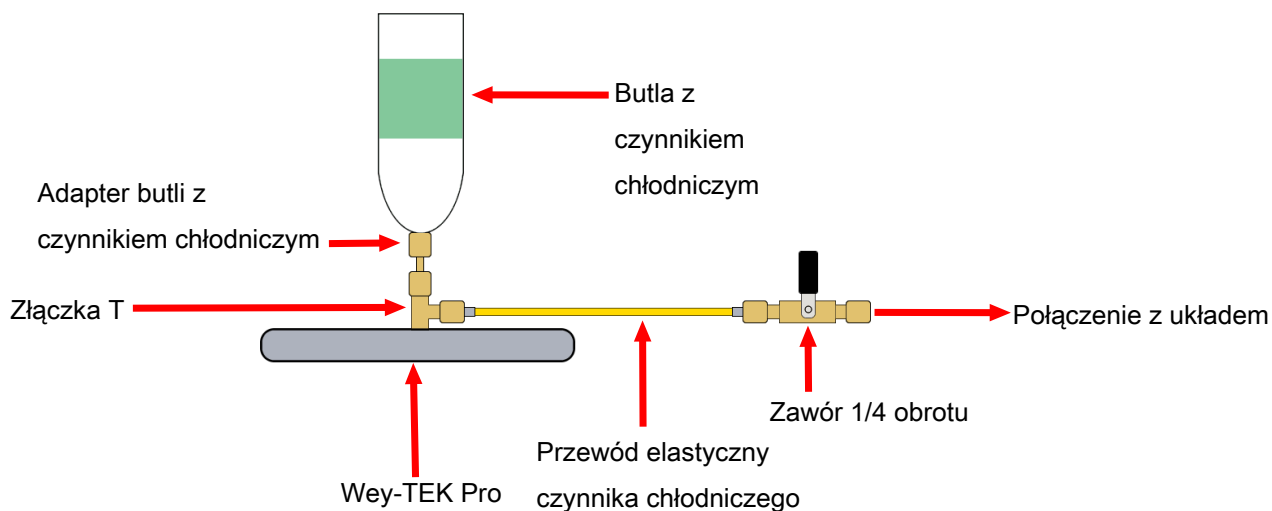
Urządzenie Wey-TEK Pro jest wyposażone w pasek magnetyczny, za pomocą którego można zawiesić terminal, aby korzystać z niego bez użycia rąk. Pasek jest zapinany na rzep, dzięki czemu można go przełożyć przez szczelinę w terminalu. Zawiesić terminal za pomocą magnesu lub owijając pasek wokół rury lub innego przedmiotu.

## 10 Zestaw adapterów do małych obciążeń

Zestaw adapterów do małych obciążeń (PN 501-601-G1) jest opcjonalnym wyposażeniem dodatkowym, które umożliwia podłączenie do wagi małych butli z czynnikiem chłodniczym, powszechnie stosowanych dla łatwopalnych czynników chłodniczych A3. Dzięki zastosowaniu zestawu butla znajduje się w bezpiecznym położeniu odwróconym, ułatwiając ładowanie.

Zestaw adapterów do małych obciążeń zawiera:

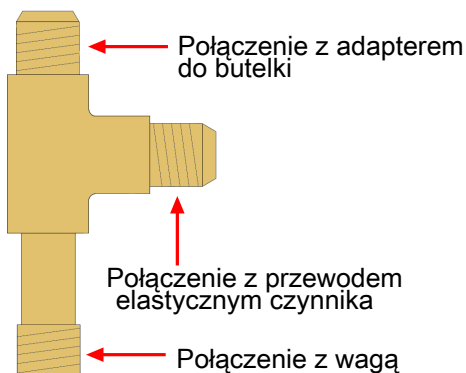
- Złączka T z gwintem męskim butli 1/4 SAE
- Zawór 1/4 obrotu
- 18 in. Przewód elastyczny czynnika chłodniczego (457 mm) o średnicy wewnętrznej 2 mm
- Adapter żeński CGA600 do butli z gwintem zewnętrznym 7/16-28 (EN417 Lindal)
- Adapter żeński 7/16-28 (EN417 Lindal) do butli z gwintem wewnętrznym 1/4 SAE
- Adapter do butelki z gwintem żeńskim 1/4 SAE na żeńskie 1/4 SAE





Aby użyć zestawu adapterów:

- 1 Usunąć małą plastikową zatyczkę z platformy wagi za pomocą małego, płaskiego śrubokręta lub podobnego narzędzia.
- 2 Przykręcić złączkę T do platformy wagi.



- 3 Wybrać odpowiedni dla butli z czynnikiem chłodniczym adapter zbiornika i podłączyć go do złączki T.
- 4 Podłączyć jeden koniec przewodu elastycznego czynnika chłodniczego do złączki T, a drugi koniec do zaworu 1/4 obrotu.
- 5 Z zaworem 1/4 obrotu w pozycji zamkniętej, podłączyć butlę z czynnikiem chłodniczym do adaptera zbiornika czynnika chłodniczego.
- 6 Podłączyć zawór 1/4 obrotu do układu.
- 7 Powoli otworzyć zawór 1/4 obrotu, aby naładować układ. Po zakończeniu zamknąć zawór.

## WSKAZÓWKA

Dokręcić ręcznie wszystkie złącza.

# 11 Czyszczenie i przechowywanie

Urządzenie Wey-TEK Pro można czyścić łagodnym detergentem lub alkoholem izopropylowym. Należy zachować ostrożność, aby zapobiec przedostaniu się środka czyszczącego do wnętrza terminala. Do czyszczenia nie używać benzyny, acetonu ani innych agresywnych rozpuszczalników, ponieważ mogą one uszkodzić tworzywo sztuczne lub wyświetlacz.

## WSKAZÓWKA

Platforma wykonana jest z aluminium i może zabarwić się pod wpływem niektórych rozpuszczalników.

## 12 Wymiana terminala lub kabla

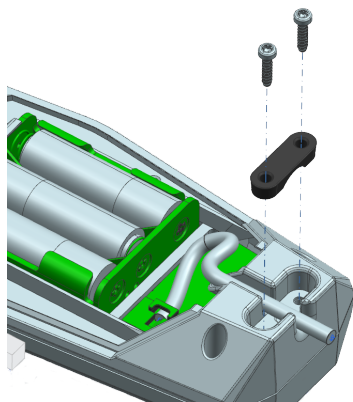
W przypadku uszkodzenia terminala lub kabla możliwa jest wymiana zarówno terminala (PN 501-701-G1), jak i zespołu platformy/kabla (PN 501-702-G1). Kabel jest podłączony na stałe do czujnika obciążenia wewnątrz platformy, więc należy je wymienić razem.



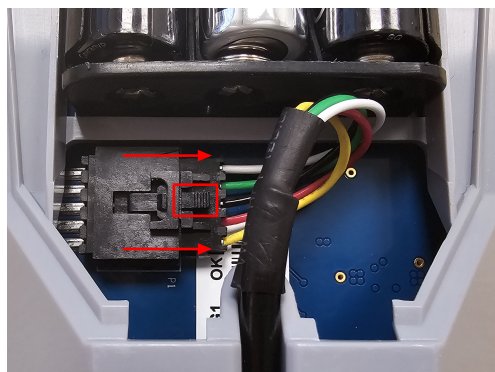
Zaleca się samodzielne wykonanie uziemienia przed dokonaniem wymiany, aby uniknąć uszkodzenia terminala przez wyładowania elektrostatyczne.

Wymiana terminala lub platformy/kabla:

- 1 Wyłączyć urządzenie Wey-TEK Pro.
- 2 Wyjąć pokrywę komory baterii z terminala.
- 3 Odkręcić dwie śruby na terminalu za pomocą śrubokręta gwiazdkowego T10.



- 4 Wyjąć wspornik kabla.
- 5 Nacisnąć blokadę złącza i OSTROŻNIE wyciągnąć złącze z gniazda.



- 6 Wymienić terminal lub zespół platformy/kabla i zmontować w odwrotnej kolejności.

### WSKAZÓWKA

Nie dokręcać zbyt mocno śrub.

## 13 Części zamienne i akcesoria

Zestaw adapterów do małych obciążeń	501-601-G1
Zamienny pokrowiec	501-700-G1
Wymienny terminal (zawiera pasek magnetyczny)	501-701-G1
Wymienna platforma wagi z kablem	501-702-G1
Pasek magnetyczny	501-311-P1
Pokrywa komory baterii	501-308-P1

# 14 Gwarancja i ograniczenie odpowiedzialności

INFICON gwarantuje, że urządzenie będzie wolne od wad materiałowych i produkcyjnych przez okres jednego roku lub dwóch lat (w zależności od regionu) od daty zakupu. INFICON nie obejmuje gwarancją elementów zestawu, których stan ulega pogorszeniu podczas normalnego użytkowania, w tym baterii, czujników i filtrów. Ponadto, INFICON nie obejmuje gwarancją żadnych urządzeń, które były użytkowane w nieprawidłowy i niedbały sposób lub brały udział w wypadku bądź zostały naprawione lub zmodyfikowane przez podmiot inny niż firma INFICON.

Odpowiedzialność firmy INFICON jest ograniczona do urządzeń zwróconych do INFICON, ze wstępnie opłaconym transportem, nie później niż w ciągu trzydziestu (30) dni od wygaśnięcia okresu gwarancyjnego pod warunkiem, że firma INFICON uzna, że działały nieprawidłowo z powodu wad materiałowych lub produkcyjnych.

Odpowiedzialność INFICON jest ograniczona do, według uznania, naprawy lub wymiany wadliwego urządzenia lub części. Niniejsza gwarancja zastępuje wszelkie pozostałe gwarancje, wyraźne lub dorozumiane, dotyczące PRZYDATNOŚCI HANDLOWEJ lub PRZYDATNOŚCI DO OKREŚLONEGO CELU lub inne. Wszelkie pozostałe gwarancje są wyraźnie wyłączone. INFICON nie ponosi odpowiedzialności przekraczającej zapłaconą INFICON kwotę ceny za urządzenie powiększoną o opłacone z góry koszty transportu zwrotnego. INFICON nie ponosi odpowiedzialności za jakiegokolwiek szkody przypadkowe lub następcze. Wszystkie takie zobowiązania są WYŁĄCZONE.

# Innehållsförteckning

<b>1</b>	<b>Friskrivningsklausul och upphovsrätt .....</b>	<b>175</b>
<b>2</b>	<b>Försiktighetsanvisningar och varningar .....</b>	<b>176</b>
<b>3</b>	<b>Specifikationer .....</b>	<b>177</b>
<b>4</b>	<b>Wey-TEK Pro .....</b>	<b>178</b>
<b>5</b>	<b>Skärmlayout och symboler .....</b>	<b>179</b>
<b>6</b>	<b>Drift .....</b>	<b>181</b>
6.1	Kom igång .....	181
6.2	Starta instrumentet/förberedelser för användning .....	181
6.3	Vägnings-/startskärmen .....	182
6.4	Inställningsmenyn .....	182
6.5	Larm .....	183
6.5.1	Användning med larm .....	184
6.5.2	Byta köldmedium/återvinningsflaska .....	185
6.6	Enheter .....	185
6.7	Bluetooth .....	185
6.8	Skärmdimning .....	186
6.9	Automatisk avstängning .....	186
<b>7</b>	<b>Byte av batterier .....</b>	<b>187</b>
<b>8</b>	<b>App .....</b>	<b>189</b>
<b>9</b>	<b>Magnetisk rem .....</b>	<b>190</b>
<b>10</b>	<b>Small Charge Adapter Kit .....</b>	<b>191</b>
<b>11</b>	<b>Rengöring och förvaring .....</b>	<b>193</b>
<b>12</b>	<b>Byta ut den handhållna enheten eller sladden .....</b>	<b>194</b>
<b>13</b>	<b>Reservdelar och tillbehör .....</b>	<b>195</b>
<b>14</b>	<b>Garanti- och ansvarsbegränsning .....</b>	<b>196</b>

# 1 Friskrivningsklausul och upphovsrätt

## Friskrivningsklausul

Informationen i den här bruksanvisningen antas vara korrekt och tillförlitlig. INFICON tar dock inget ansvar för dess användning och ska inte hållas ansvarigt för några särskilda eller oförutsedda skador eller följdskador i samband med användningen av den här produkten.

På grund av vårt program för kontinuerlig produktförbättring kan de tekniska specifikationerna komma att ändras utan föregående meddelande.

## Upphovsrätt

©2024 Alla rättigheter förbehållna.

Det är förbjudet att reproducera eller anpassa hela eller delar av detta dokument utan tillstånd.

Wey-TEK är ett registrerat varumärke som tillhör INFICON.

Apple, Apple-logotypen och iPhone är varumärken som tillhör Apple Inc., registrerade i USA och andra länder. App Store är ett varumärke för en tjänst som tillhör Apple Inc.

Google Play och Google Play-logotypen är varumärken som tillhör Google LLC.

Ordet Bluetooth® och tillhörande logotyper är registrerade varumärken som ägs av Bluetooth SIG, Inc. och all användning av sådana varumärken av INFICON sker under licens.

Andra varumärken och handelsnamn tillhör respektive ägare.

## 2 Försiktighetsanvisningar och varningar

Observera anmärkningarna, försiktighetsanvisningarna och varningarna i den här bruksanvisningen när du använder den. I den här bruksanvisningen definieras de på följande sätt:



### **VARNING**

Om de här meddelandena inte följs kan det medföra personskada.



### **FÖRSIKTIGHET**

Om de här meddelandena inte följs kan det leda till att Wey-TEK Pro fungerar dåligt.



### **CAUTION**

Om utrustningen används på ett sätt som inte specificeras i informationen i denna handbok, kan skyddet som tillhandahålls av utrustningen försämrats.



Relevant information som när den följs hjälper till att uppnå maximal effektivitet hos Wey-TEK Pro.

Den här utrustningen har testats och befunnits uppfylla gränserna för en digital utrustning av klass A enligt del 15 i FCC:s regler. De här gränserna har utformats för att ge ett rimligt skydd mot skadliga störningar när utrustningen används i kommersiell miljö. Den här utrustningen genererar, använder och kan utstråla radiofrekvensenergi, och om den inte installeras och används i enlighet med handboken kan den orsaka skadliga störningar hos radiokommunikation. Att använda utrustningen i ett bostadsområde kan orsaka skadliga störningar, och i ett sådant fall måste användaren korrigera störningen på egen bekostnad.



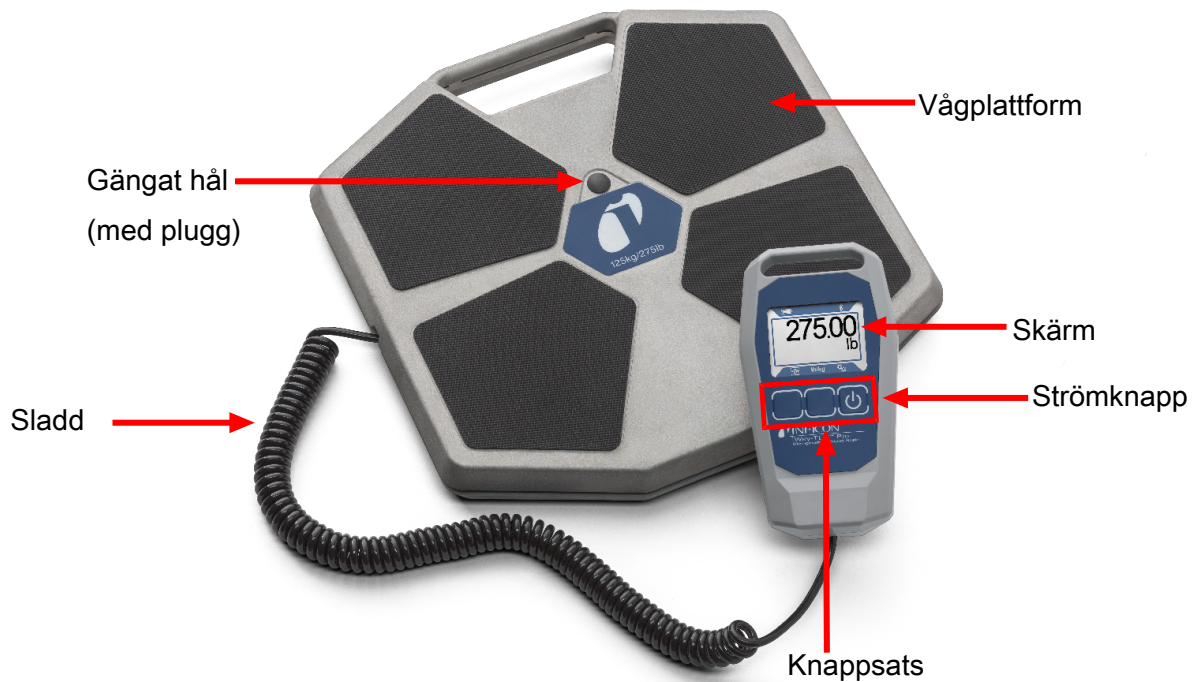
### 3 Specifikationer

Användning	Inom- eller utomhus
Viktkapacitet	125 kg (275 lb)
Noggrannhet	±0,06 % av mätvärdet eller ±3 g (vilket som är störst)
Skärmupplösning	g: 3 g oz: 0,1 oz lb: 0,01 lb lb/oz: 0,02 oz kg: 0,01 kg
Drifttemperatur	-18 till 50 °C (0 till 122 °F)*
Lagringstemperatur	-30 till 80 °C (-22 till 176 °F)
Luftfuktighet	85 % relativ luftfuktighet vid 45 °C (113 °F), icke-kondenserande
Höjd över havet	2 000 m (6 500 ft)
Strömförsörjning	Tre alkaliska AA-batterier
Batteriets livslängd	Beroende på dimningsinställningar Ingen dimning: ca 30 timmar Alltid dimmad: ca 150 timmar
IP-skyddsart	IP44
Föroreningsgrad	3
Överspänningskategori	II
Vikt (inklusive batterier)	2 880 g (6,35 lb)
Plattformsmått (L x B x H)	29,1 x 29,1 x 3,7 cm (11,5 x 11,5 x 1,5 tum)
Sladdlängd	ca 50,3 cm (19,8 tum) spirallindad ca 262 cm (103 tum) utdragen

\*Användning under 0 °C bör begränsas. Noggrannheten kan variera vid temperaturer under -10 °C.

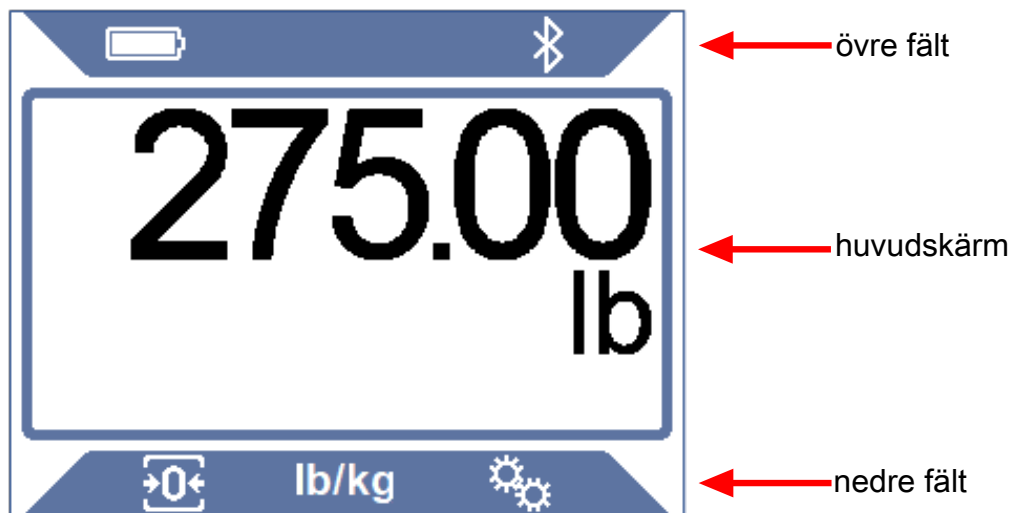
## 4 Wey-TEK Pro

Wey-TEK Pro är en våg med hög noggrannhet som tagits fram för användning i VVS- och kyltillämpningar för vägning av köldmedium under antingen återvinning eller påfyllning av luftkonditionerings- eller kylsystem. Vågen kan användas med den medföljande handhållna enheten eller med en telefon eller surfplatta med hjälp av appen som kan laddas ned utan kostnad.



## 5 Skärmlayout och symboler

Wey-TEK Pro använder skärmen för att visa alla indikatorer och all information. Skärmen består av ett övre fält, en huvudskärm och ett nedre fält.



**Övre fält:** Det övre fältet innehåller batterisymbolen och Bluetooth-status.

Symbol	Beskrivning
	batteriladdningen är 75–100 %
	batteriladdningen är 50–74 %
	batteriladdningen är 30–49 %
	batteriladdningen är 10–29 %
	batteriladdningen är mycket låg, < 10 %
	Bluetooth är aktiverad
	En Bluetooth-enhet är ansluten

**Huvudskärm:** Huvudskärmen visar relevant information för den aktuella skärmen. När Wey-TEK Pro startar visas startskärmen med aktuell vikt och aktuella enheter. Startskärmen visar även relevanta indikatorer om ett larm eller en logg pågår.

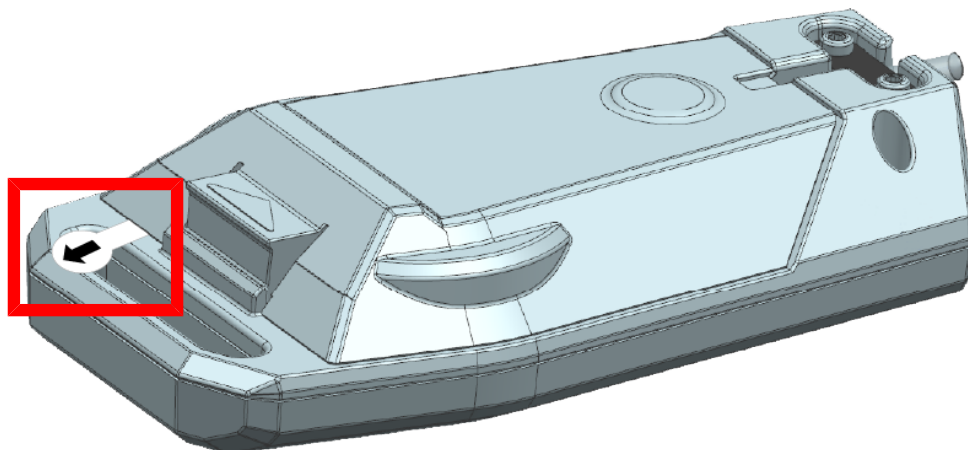
**Nedre fält:** Det nedre fältet visar alternativen för de tre knappsatsfunktionerna. Funktionerna ändras beroende på aktuell skärm och aktuellt val. Tabellen nedan visar de olika ikonerna och deras respektive funktioner.

Symbol	Beskrivning
	Nollställ vikten
	Byt mellan skärmenheter (lb/oz, lb, oz, kg, g)
	Gå till menyn för inställningar
	Skrolla ned till olika alternativ
	Markera nästa möjliga inställning
	Höj den markerade siffran
	Flytta markören till nästa siffra; håll ned för att återställa det inställda värdet till noll
	Öppna den valda inställningsmenyn eller undermenyn; acceptera och spara en inställningsändring; acceptera ett slutfört larm; starta ett larm
	Avbryt ändring; avbryt larm
	Återgå till startskärmen
	Pausa ett larm
	Återuppta ett pausat larm

## 6 Drift

### 6.1 Kom igång

Wey-TEK Pro levereras med tre alkaliska AA-batterier installerade. Innan du sätter på Wey-TEK Pro för första gången måste du ta bort batteriernas isoleringsremsa från den handhållna enhetens batterifack. Ta bort isoleringsremsan genom att ta ett fast tag om den och dra den mot toppen av den handhållna enheten.



### 6.2 Starta instrumentet/förberedelser för användning

Tryck länge på startknappen (knappen längst till höger på den handhållna enheten) för att sätta på eller stänga av Wey-TEK Pro. Wey-TEK Pro visar kortfattat programvaruversionen vid start och fortsätter sedan till startskärmen.

#### HÄNVISNING

Om skärmen inte startar är batterierna urladdade och behöver bytas ut. Se Byte av batterier [► 187].

## 6.3 Vägning-/startskärmen

Wey-TEK Pro startar automatiskt med startskärmen och visar vikten direkt i realtid. Placera en behållare eller något annat föremål på vågplattformen för vägning. Om ett larm är inställt visas börvärdet längst ned på huvudskärmen.








Tryck på motsvarande knappar på knappsatsen på startskärmen för att utföra följande åtgärder:

Symbol	Beskrivning
	Nollställ vikten
<b>lb/kg</b>	Växla mellan skärmenheterna (lb/oz, lb, oz, kg, g)
	Gå till menyn för inställningar

## 6.4 Inställningsmenyn

Använd knappsatsen i inställningsmenyn för att välja och ange inställningarna för specifika funktioner. Den valda undermenyn är markerad med mörkblått.



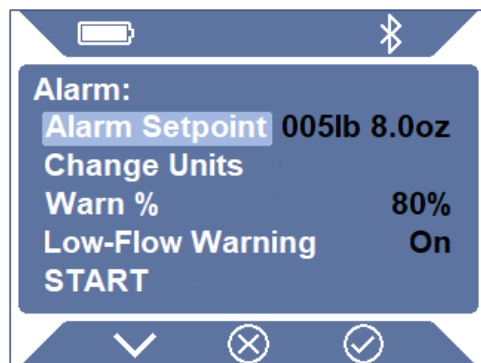
Symbol	Beskrivning
	Meny för larminställningar – ställ in larm utifrån vikt
<b>lb/kg</b>	Meny för enhetsinställningar – byt skärmenhet
	Meny för Bluetooth-inställningar – aktivera eller avaktivera Bluetooth
	Meny för skärminställning – välj om skärmen ska dimmas eller inte för att spara batteritid
	Meny för inställning av automatisk avstängning – välj om vågen ska stängas av automatiskt efter en vald tid
	Information/Om – visar grundläggande information om vågen, inklusive programvaruversion, MAC-adress och FCC-information

## 6.5 Larm

Wey-TEK Pro kan ställa in larm baserat på ett viktbövråde. Detta kan användas antingen för återvinning eller påfyllning av köldmedier. Larmen ställs in på menyn för larminställningar.

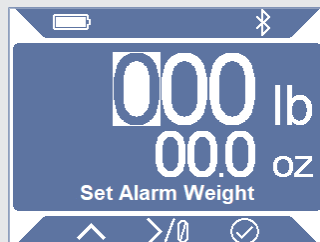
### HÄNVISNING

Wey-TEK Pro har inga ljudlarm i den handhållna enheten. Larmen är endast visuella. Om du vill ha ljudlarm laddar du ned Wey-TEK Pro-appen. Se .




Larminställningsskärmen visar aktuella larmrelaterade inställningar, och du kan öppna undermenyer för att redigera dessa inställningar.

Börvärde för larm	Välj den här menyn om du vill ändra börvärdet för vikten.
Byt enhet	Byt till en annan enhet. Du kan välja mellan <b>lb/oz</b> , <b>lb</b> , <b>oz</b> , <b>kg</b> och <b>g</b> .  OBS: Om du byter enhet terställs brvrdet fr larmet till noll.
Varn %	Välj en procent av börvärdet för larm vid vilken du vill bli varnad om att larmvikten närmar sig. Du kan välja mellan <b>Avaktiverat</b> , <b>70 %</b> , <b>80 %</b> och <b>90 %</b> .
Varning för lågt flöde	Aktivera den här inställningen för att få en visuell varning om vikten har ändrats mindre än 30 g på två minuter.
START	Startar larmet.



### 6.5.1 Användning med larm

- 1 Öppna menyn för larminställningar.
- 2 Ange larmparametrar.
- 3 Välj **START**. Wey-TEK Pro återgår till startskärmen, nollställs och börjar vägningen. Börvärdet visas långt ned på skärmen.
- 4 När larmet har slutförts blinkar skärmen grönt och visar det totala överförda köldmediet. Tryck på  för att godkänna och återställa larmet.

#### HÄNVISNING



Om du vill avbryta larmet trycker du på  när som helst under pågående larm.





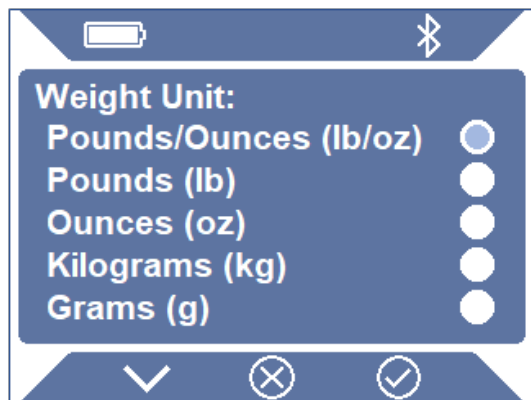
## 6.5.2 Byta köldmedium/återvinningsflaska

Om ett larm är inställt och flaskan behöver bytas under påfyllningen/återvinnningen:

- 1 Stäng flaskans ventil. Det kan ta ett tag för vågen att stabiliseras.
- 2 Tryck på .
- 3 Byt flaskan.
- 4 Tryck på . Wey-TEK Pro kommer ihåg den överförda vikten och återupptar larmet/loggen.
- 5 Öppna ventilen på den nya flaskan.

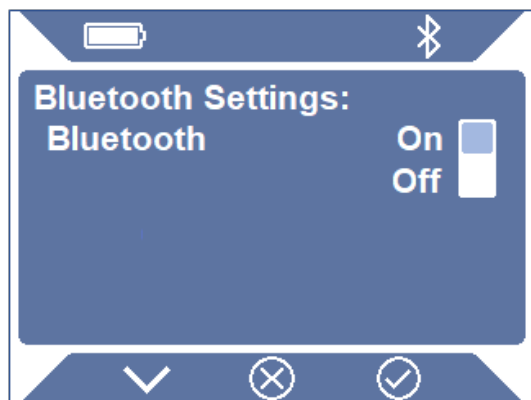
## 6.6 Enheter

På menyn Enheter kan du ange vilka enheter som ska visas. Detta kan även göras på startskärmen. Enheterna kan visas i lb/oz, lb, oz, kg, g. Den förinställda enheten är lb/oz.



## 6.7 Bluetooth

På Bluetooth-menyn kan du aktivera eller avaktivera Bluetooth. Bluetooth behövs bara om du vill använda mobilappen. När Bluetooth är aktiverat kan du parkoppla din mobila enhet i appen. Standardinställningen för Bluetooth är På.



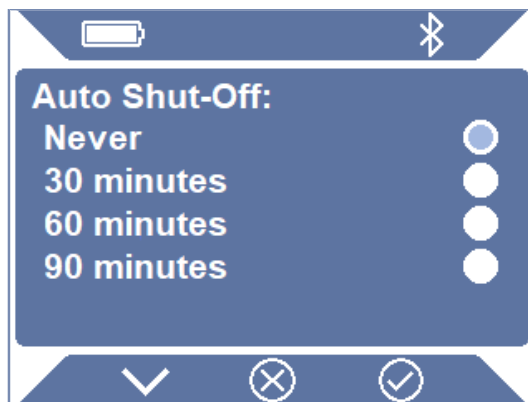
## 6.8 Skärmdimning

På skärmdimningsmenyn kan du spara batteritid genom att dimma skärmen till låg ljusstyrka efter en inställd tid. Standardinställningen är 1 minut.



## 6.9 Automatisk avstängning

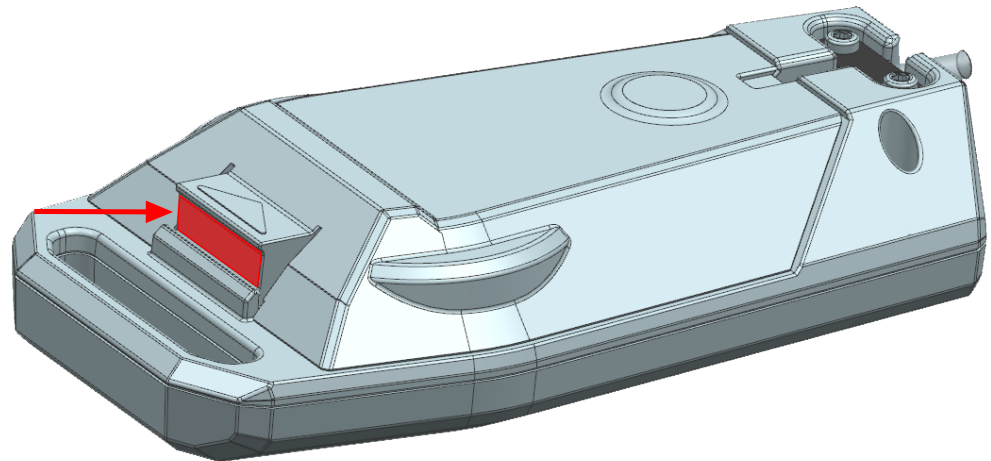
På menyn för automatisk avstängning kan du ändra tiden innan Wey-TEK Pro stängs av av sig själv. Timern (visas inte) återställs när någon av knapparna trycks in eller vikten ändras. Standardinställningen är Aldrig.



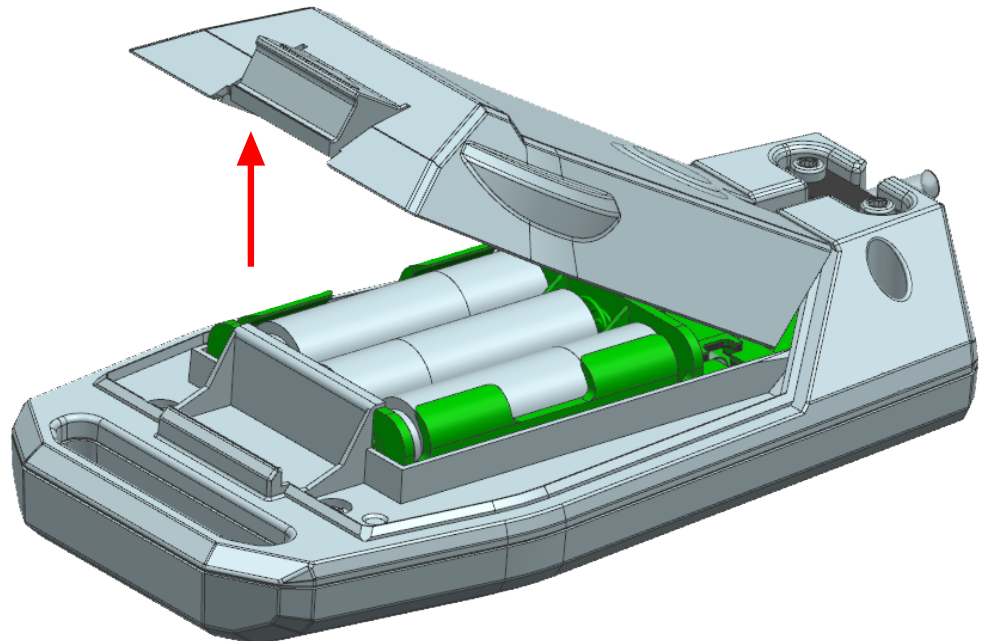
## 7 Byte av batterier

Wey-TEK Pro drivs med tre alkaliska AA-batterier. Batteriluckan är placerad på baksidan av den handhållna enheten.

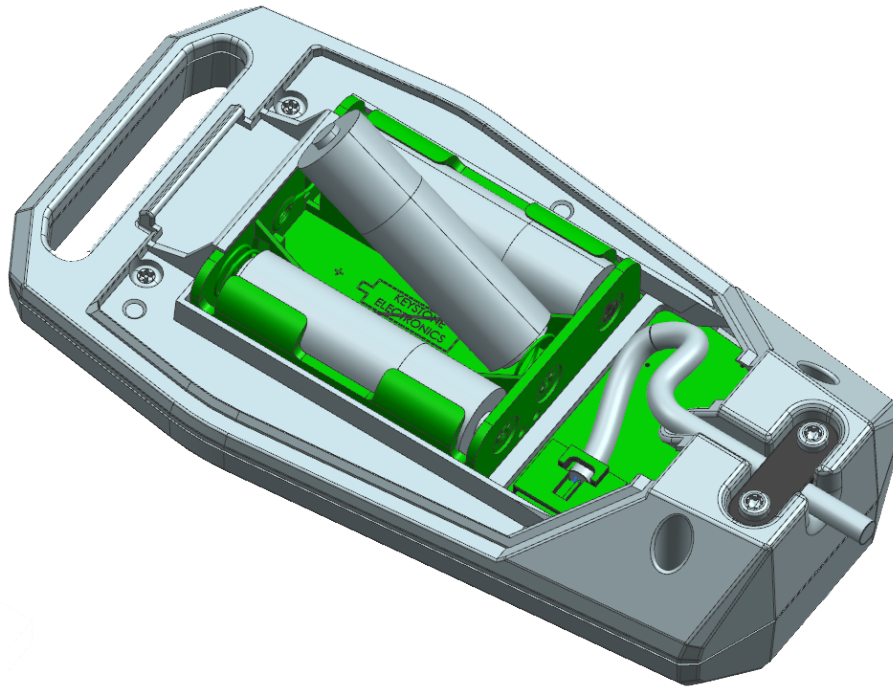
- 1 Vänd på den handhållna enheten och tryck i pilens riktning på batteriluckans spärr nedanför kanten.



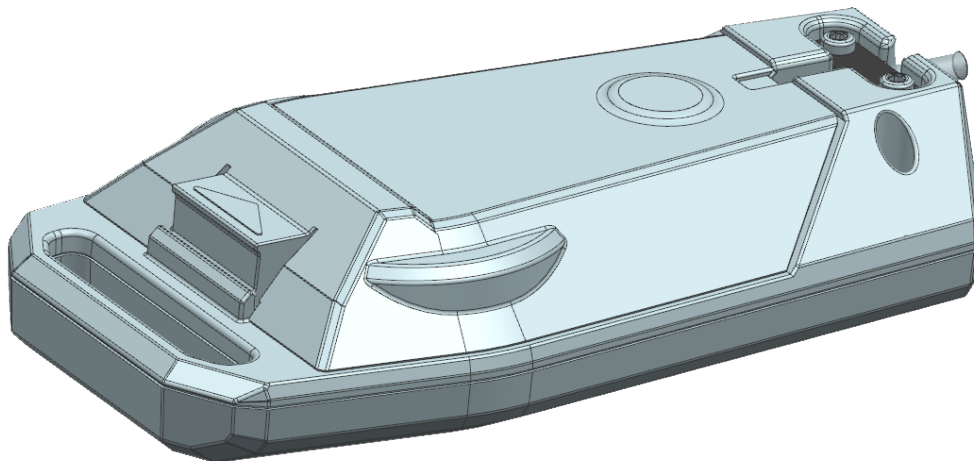
- 2 Ta bort batteriluckan.



- 3 Ta bort och ersätt de förbrukade batterierna.



- 4 Sätt tillbaka batteriluckan.



Kasta de urladdade alkaliska batterierna i enlighet med statliga och lokala bestämmelser. Om sådana bestämmelser saknas, återvinn och/eller kasta batterierna enligt valfritt program för återvinning av avfall.

## 8 App

Ladda ned gratisappen Wey-TEK Pro till din smartphone eller surfplatta för fler funktioner.

Med Wey-TEK Pro-appen kan du:

- Få tillgång till samma funktioner som på den handhållna enheten
- Ställa in larm med ljud och visuella notiser
- Spara och dela loggar från jobb, inklusive bilder och kundinformation
- Uppdatera programvaran för Wey-TEK Pro

---

### HÄNVISNING

Vågen behöver inte vara i parkopplingsläge för att parkopplas med appen.

---

Appen finns tillgänglig i App Store® och Google Play™.



## 9 Magnetisk rem

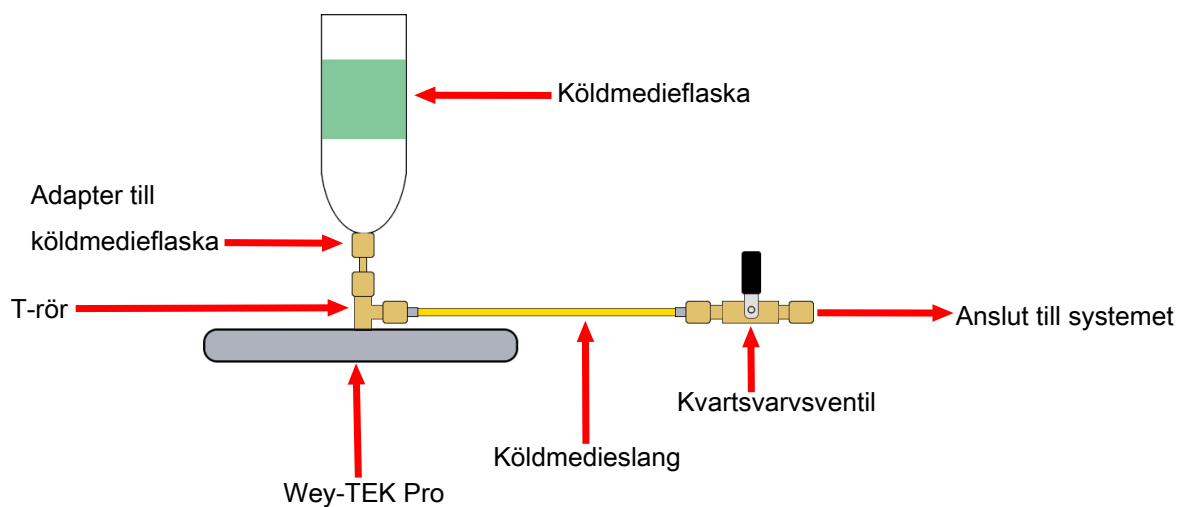
Wey-TEK Pro levereras med en magnetisk rem att hänga den handhållna enheten i för handsfreeanvändning. Remmen har en kardborreknäppning som träs genom skåran i den handhållna enheten. Häng upp den handhållna enheten antingen med hjälp av magneten eller genom att linda remmen runt ett rör eller annat föremål.

## 10 Small Charge Adapter Kit

Small Charge Adapter Kit (artikelnummer 501-601-G1) är ett tillbehör som gör att du kan sätta fast en liten flaska köldmedium på vågen, som ofta används för brandfarliga A3-köldmedier. Det gör att flaskan hålls säkert uppochnedvänd för enkel påfyllning.

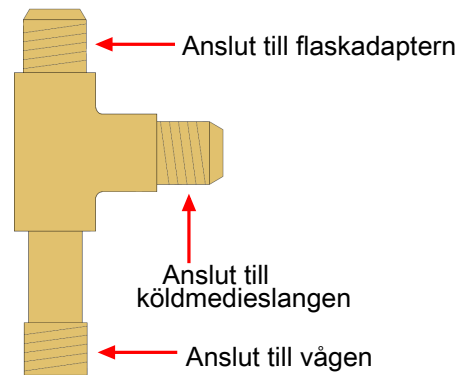
Small Charge Adapter Kit innehåller:

- T-rör med 1/4 SAE utvändiga flaskgångor
- Kvartsvärvsventil
- 457 mm (18-tums) köldmedieslang med 2 mm innerdiameter
- CGA600 invändig till 7/16-28 (EN417 Lindal) invändig flaskadapter
- 7/16-28 (EN417 Lindal) invändig till 1/4 SAE utvändig flaskadapter
- 1/4 SAE hona till 1/4 SAE hona flaskadapter



Så här använder du adaptersatsen:

- 1 Ta bort den lilla plastpluggen från vågplattformen med en liten spårskruvmejsel eller liknande verktyg.
- 2 Skruva in T-röret i vågplattformen.



- 3 Välj en lämplig behållaradapter till din köldmedieflaska och fäst den på T-röret.
- 4 Anslut den ena änden av köldmedieslangen till T-röret och den andra änden till kvartsvarvsventilen.
- 5 Med kvartsvarvsventilen i stängt läge fäster du köldmedieflaskan i köldmediebehållaradaptern.
- 6 Anslut kvartsvarvsventilen till systemet.
- 7 Fyll på systemet genom att långsamt öppna kvartsvarvsventilen. Stäng ventilen när det är klart.

## HÄNVISNING

Dra åt alla kopplingar för hand.



# 11 Rengöring och förvaring

Wey-TEK Pro kan rengöras med ett mildt rengöringsmedel eller isopropanol. Se till att inget rengöringsmedel tränger in i den handhållna enheten. Rengör inte med bensin, aceton eller andra starka lösningsmedel som kan skada plastkomponenterna eller skärmen.

---

## HÄNVISNING

Plattformen är tillverkad av aluminium och kan missfärgas av vissa lösningsmedel.

---

## 12 Byta ut den handhållna enheten eller sladden

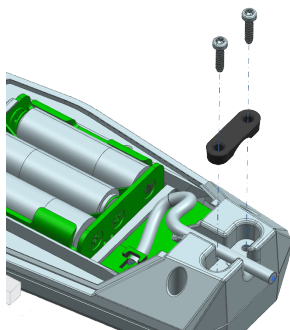
Om den handhållna enheten eller sladden skulle bli skadad går det att byta ut antingen den handhållna enheten (PN 501-701-G1) eller plattformen med sladd (PN 501-702-G1). Sladden är fast ansluten till vägningscellen inuti plattformen, så de måste bytas ut tillsammans.



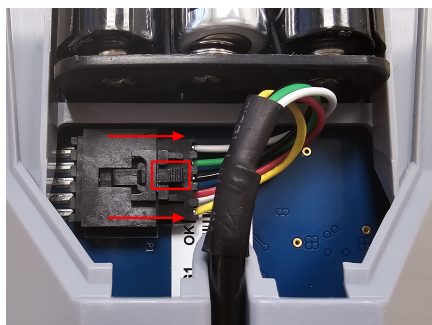
Vi rekommenderar att du jordar dig själv innan du utför bytet för att undvika skador på den handhållna enheten till följd av elektrostatisk urladdning.

Gör såhär för att byta antingen den handhållna enheten eller plattformen med sladd:

- 1 Stäng av Wey-TEK Pro.
- 2 Ta bort batteriluckan från den handhållna enheten.
- 3 Ta bort de båda skruvarna på den handhållna enheten med hjälp av en T10-torxskruvmejsel.



- 4 Ta bort sladdstödet.
- 5 Tryck ned låset till kontakten och dra FÖRSIKTIGT ut kontakten ur uttaget.



- 6 Byt ut antingen den handhållna enheten eller plattformen med sladd och sätt tillbaka allt i omvänd ordning.

### HÄNVISNING

Dra inte åt skruvarna för hårt.

## 13 Reservdelar och tillbehör

Small Charge Adapter Kit	501-601-G1
Reservfodral	501-700-G1
Handhållen utbytesenhet (inklusive magnetisk rem)	501-701-G1
Utbytesvågplattform med kabel	501-702-G1
Magnetisk rem	501-311-P1
Utbytesbatterilucka	501-308-P1

## 14 Garanti- och ansvarsbegränsning

INFICON tillhandahåller en garanti som täcker materialfel och produktionsfel i instrumentet i ett eller två år (beroende på region) från inköpsdatum. INFICONs garanti omfattar inte sådant som förbrukas under normal användning, som batterier, sensorer och filter. Inte heller omfattar INFICONs garanti ett instrument som har utsatts för felanvändning, oaktsamhet, olyckshändelse eller som har reparerats eller byggts om av någon annan än INFICON. INFICONs ansvar är begränsat till instrument som har återbördats på egen bekostnad till INFICON senast trettio (30) dagar efter att garantiperioden löpt ut och som enligt INFICONs bedömning har slutat att fungera på grund av material- eller fabrikationsfel. Det ansvar som INFICON har är begränsat till, om företaget så önskar, reparation eller byte av det felfungerande instrumentet eller de trasiga delarna. Denna garanti gäller i stället för alla andra garantier, uttalade eller underförstådda, oavsett om det gäller SÄLJBARHET eller ANVÄNDBARHET FÖR ETT VISST SYFTE eller annat. INFICON friskriver sig uttryckligen från alla andra sådana garantier. INFICONs ekonomiska förpliktelse överskrider inte det pris som betalades till INFICON vid köpet av instrumentet plus kostnaden för att återbörda instrumentet till köparen. INFICON har inget ansvar för kostnader i samband med någon olyckshändelse eller därav påföljande skador. Allt sådant ansvar UTESLUTS.

# İçindekiler

<b>1 Sorumluluk Reddi ve Telif Hakları .....</b>	<b>198</b>
<b>2 Dikkat Edilmesi Gereken Konular ve Uyarılar .....</b>	<b>199</b>
<b>3 Teknik Özellikler .....</b>	<b>200</b>
<b>4 Wey-TEK Pro.....</b>	<b>201</b>
<b>5 Ekran Düzeni ve Semboller .....</b>	<b>202</b>
<b>6 Çalışma.....</b>	<b>204</b>
6.1 Başlangıç .....	204
6.2 Cihazın Açılması/Kullanıma Hazırlanması .....	204
6.3 Tartı/Ana Ekran .....	205
6.4 Ayarlar menüsü .....	206
6.5 Alarmlar .....	207
6.5.1 Alarm ile işletim .....	208
6.5.2 Soğutucu/Geri Kazanım Silindiri Değişirme .....	209
6.6 Birimler .....	209
6.7 Bluetooth .....	210
6.8 Ekran Karartma .....	210
6.9 Otomatik Kapanma .....	211
<b>7 Pillerin değiştirilmesi .....</b>	<b>212</b>
<b>8 Uygulama .....</b>	<b>214</b>
<b>9 Manyetik Şerit .....</b>	<b>215</b>
<b>10 Küçük Şarj Adaptörü Seti .....</b>	<b>216</b>
<b>11 Temizlik ve Depolama .....</b>	<b>218</b>
<b>12 El aleti veya kablo değiştirme .....</b>	<b>219</b>
<b>13 Yedek Parçalar ve Aksesuarlar .....</b>	<b>220</b>
<b>14 Garanti ve Sorumluluğun Sınırlandırılması .....</b>	<b>221</b>

# 1 Sorumluluk Reddi ve Telif Hakları

## Sorumluluk Reddi

Bu kılavuzda bulunan bilgilerin doğru ve güvenilir olduğuna inanılmaktadır. Fakat INFICON kullanımından kaynaklanan herhangi bir özel, tesadüfi veya dolaylı hasar için sorumluluk kabul etmez ve bu ürünün kullanımı ile ilgili herhangi bir sonuç hasarı için sorumlu tutulamaz.

Ürün geliştirmeleri programımız devam ettiği için, ürünlerin özellikler önceden haber verilmeksizin değişebilir.

## Telif hakları

©2024 Tüm hakları saklıdır.

Bu belgenin herhangi bir bölümünün izinsiz olarak çoğaltılması veya uyarlanması yasa dışıdır.

Wey-TEK INFICON'un ticari markasıdır.

Apple, Apple logosu ve iPhone, Apple Inc. şirketinin ABD'de ve diğer ülkelerde tescilli ticari markalarıdır. App Store, Apple Inc. şirketinin bir hizmet markasıdır.

Google Play ve Google Play logosu Google LLC'nin ticari markalarıdır. Apple Inc. şirketinin bir hizmet markasıdır.

Bluetooth® kelime işareti ve logoları Bluetooth SIG, Inc. şirketine ait tescilli ticari markalardır ve INFICON tarafından bu markaların her türlü kullanımı lisans altındadır.

Diğer ticari markalar ve ticari isimler ilgili sahiplerine aittir.

## 2 Dikkat Edilmesi Gereken Konular ve Uyarılar

Kullanım kılavuzunu kullanırken, lütfen notlara, dikkat edilmesi gerekenlere ve uyarılara önemle dikkat edin, bu uyarı ve notlar kılavuz boyunca bulunmaktadır. Kullanım kılavuzun amaçları şu şekilde tanımlanmıştır:



### **⚠ WARNING**

**Mesajlara dikkat edilmemesi, kişisel yaralanmalara neden olabilir.**



### **⚠ CAUTION**

**Mesajlara dikkat edilmemesi, Wey-TEK Pro'nun düşük performansına neden olabilir.**



### **⚠ CAUTION**

Ekipmanın bu kullanım kılavuzunda yer alan bilgilerde belirtilmeyen bir şekilde kullanılması durumunda ekipmanın sağladığı koruma bozulabilir.



Verilmiş olan bilgilere uymak, Wey-TEK Pro'nun maksimum verimliliğine ulaşmasını sağlayacaktır.

Ekipman, FCC Kurallarınının 15. bölümü uyarınca A sınıfı dijital cihaz için sınırlara uygun olup test edilmiştir. Ekipmanın sınırları, ekipmanın ticari ortamda çalıştırıldığında zararlı müdahalelere karşı makul koruma sağlamak üzere tasarlanmıştır. Ekipman, radyo frekans enerjisi üretir, kullanır ve yayabilir ve kullanım kılavuzuna uygun olarak kurulup kullanılmazsa, radyo iletişimine zararlı müdahalelere sebep olabilir. Ekipmanın konut bölgesinde kullanılması muhtemelen zararlı müdahalelere neden olacaktır; bu durumda kullanıcı, müdahaleyi kendi cebinden harcamasıyla düzeltmek zorunda kalacaktır.

## 3 Teknik Özellikler

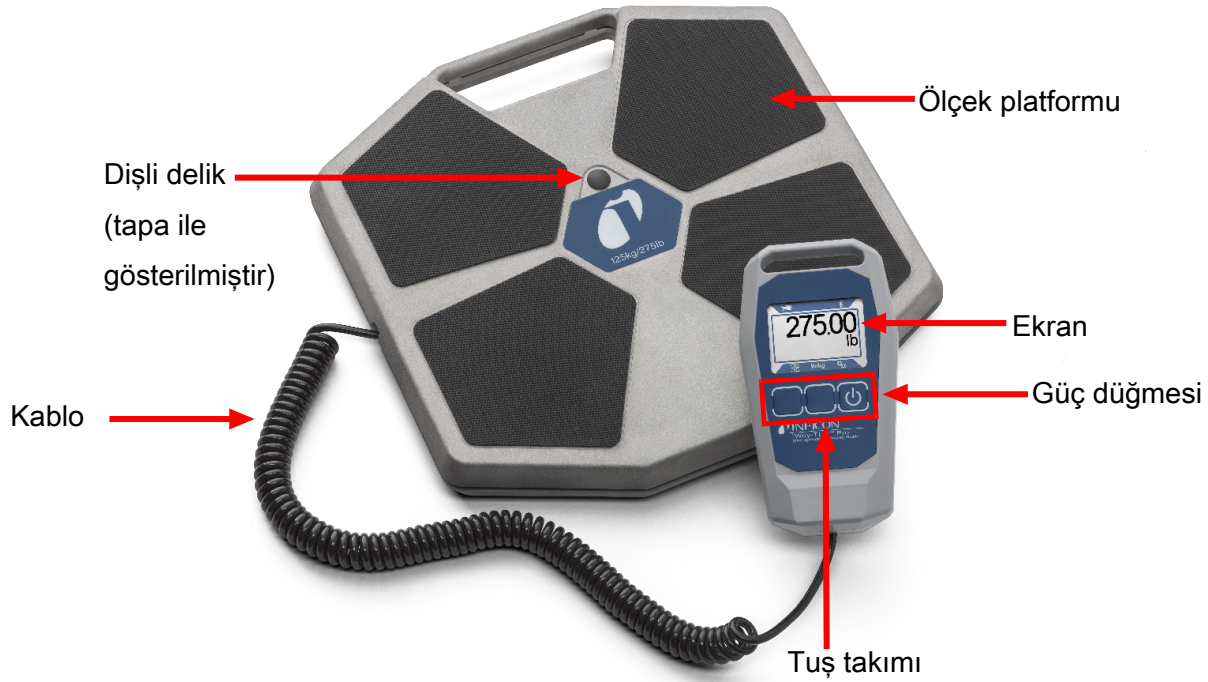
Kullanım	İç mekan veya dış mekan
Ağırlık kapasitesi	125 kg
Hassasiyet	Okuma oranının $\pm 0.06$ 'sı veya $\pm 3g$ (hangisi büyükse)
Ekran çözünürlüğü	g: 3g oz: 0.1 oz lb: 0.01 lb lb/oz: 0.02 oz kg: 0.01 kg
İşlem sıcaklığı	-18 ila 50°C*
Depolama sıcaklığı	-30 ila 80°C
Nem	45°C'de %85 RH, yoğuşmasız
Yükseklik	2000 m
Güç beslemesi	3 AA alkalin piller
Pil ömrü	Karartma ayarlarına bağlıdır Karartmadan: ~30 saat Her daim karartarak: ~150 saat
Giriş koruma	IP44
Kirlilik derecesi	3
Aşırı voltaj kategorisi	II
Ağırlık (pil dahil)	2880 g
Platform ölçüleri (B x G x Y)	29.1 x 29.1 x 3.7 cm
Kordon uzunluğu	50.3 cm sarılı 262 cm açık halde

\*0°C'nin altındaki kullanım sınırlandırılmalıdır. Doğruluk -10° C'nin altındaki sıcaklıklarda değişebilir.



## 4 Wey-TEK Pro

Wey-TEK Pro, HVAC/R uygulamalarında kullanılmak üzere tasarlanmış yüksek hassasiyetli ölçektir ve klima veya soğutma sistemlerinin yağ çıkarılması veya şarj edilmesi sırasında soğutucu gazın ağırlığını ölçmek için kullanılır. Ölçek, eklenmiş olan el aletiyle veya ücretsiz indirilebilen uygulama kullanılarak telefon veya tablet ile kullanılabilir.



## 5 Ekran Düzeni ve Semboller

Wey-TEK Pro, tüm göstergeler ve bilgiler için ekranı kullanır. Ekranda bir üst çubuk, ana ekran ve bir alt çubuk bulunur.



**Üst çubuk:** Üst çubuk, pil sembolü ve Bluetooth durumunu içerir.

Sembol	Açıklama
	Pil şarjı %75-100
	Pil şarjı %50-74
	Pil şarjı %30-49
	Pil şarjı %10-29
	Pil şarjı kritik derecede düşük, <%10
	Bluetooth açık
	Bir Bluetooth cihazı bağlı

**Ana ekran:** Ana ekranda kaçak kontrolü için gerekli güncel bilgiler gösterilir. Wey-TEK Pro, mevcut ağırlığı ve üniteleri gösteren ana ekranda başlar. Alarm veya günlük süreci devam ediyorsa ilgili göstergeleri de gösterecektir.

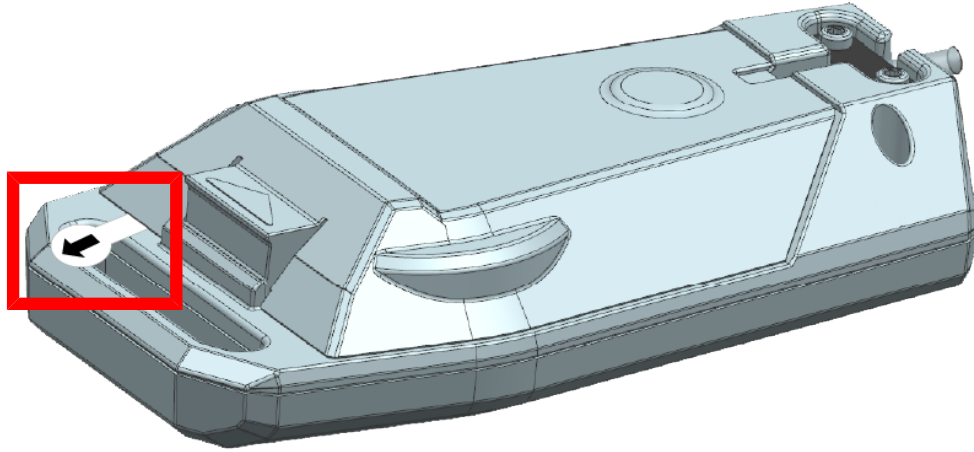
**Alt çubuk:** Alt çubuk, üç tuş fonksiyonu için seçenekleri gösterir. Fonksiyonlar, geçerli ekran ve seçime bağlı olarak değişir. Aşağıdaki tablo, farklı sembolleri ve bunların ilgili fonksiyonlarını göstermektedir.

Sembol	Açıklama
	Ağırlığı sıfırlayın/azaltın
	Ekran birimleri arasında geçiş yapar (lb/oz, lb, oz, kg, g)
	Ayarlar menüsüne girin
	Seçenekler arasında aşağı kaydırın
	Bir sonraki kullanılabilir ayarı öne çıkarın
	Öne çıkarılan rakamı artırın
	İmleci bir sonraki basamağa getirin; ayar noktasını sıfırlamak için basılı tutun
	Seçilen ayarlar menüsüne veya alt menüsüne girin; bir ayar değişikliğini kabul edin ve kaydedin; tamamlanmış bir alarmı kabul edin; bir alarm başlatın
	Değişikliği iptal edin; alarmı iptal edin
	Ana ekrana dönün
	Mevcut bir alarmı duraklatın
	Duraklatılmış bir alarmı devam ettirin

## 6 Çalışma

### 6.1 Başlangıç

Wey-TEK Pro, önceden takılmış üç adet AA alkalın pil ile birlikte gelir. Wey-TEK Pro'yu ilk defa açmadan önce, el aletinin pil bölmesindeki pil izolasyon şeridini çıkarmalısınız. İzolasyon şeridini sıkıca kavrayın ve el aletinin üstüne doğru çekerek çıkarın.



### 6.2 Cihazın Açılması/Kullanıma Hazırlanması

Wey-TEK Pro'yu açmak veya kapatmak için güç düğmesine (el aletinin en sağındaki düğme) uzun basın. Wey-TEK Pro başlangıçta kısa bir süre için aygıt yazılımı sürümünü görüntüler, ardından ana ekrana devam eder.

#### NOTICE

Ekran açılmazsa, piller bitmiştir ve değiştirilmeleri gerekir. Pillerin değiştirilmesi [► 212] bölümünü referans alın.

## 6.3 Tartı/Ana Ekran

Wey-TEK Pro ana ekranda otomatik olarak başlar ve ağırlığı hemen aynı ekranda gerçek zamanlı olarak görüntüler. Tartı platformuna hazneyi veya başka bir nesneyi yerleştirerek ağırlık ölçün. Eğer bir alarm ayarlandıysa, ayar noktası ana ekranın altında görüntülenecektir.








Ana ekranda, aşağıdaki işlemleri gerçekleştirmek için klavyedeki ilgili düğmelere basın:

Sembol	Açıklama
	Ağırlığı sıfırlayın/azaltın
lb/kg	Ekran birimlerinin arasında geçiş yapar (lb/oz, lb, oz, kg, g)
	Ayarlar menüsüne girin

## 6.4 Ayarlar menüsü

Ayarlar menüsünde belirli fonksiyonlar için ayarları seçmek ve girmek için klavyeyi kullanın. Mevcutta seçilmiş olan alt menüler koyu mavi ile gösterilecektir.



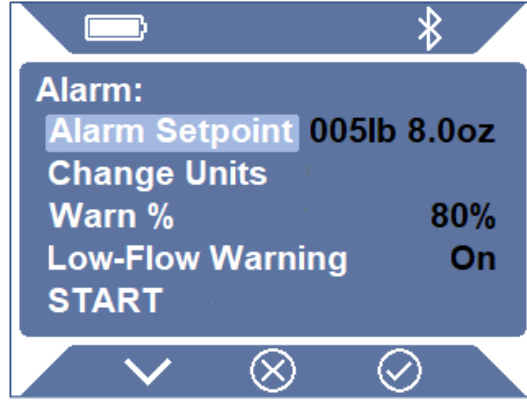
Sembol	Açıklama
	Alarm ayarları menüsü – ağırlığa göre alarmları ayarlayın
<b>lb/kg</b>	Birim ayarları menüsü – görüntü birimlerini değiştirin
	Bluetooth ayarları menüsü – Bluetooth'u aktif edin veya devre dışı bırakın
	Ekran karartma ayarları menüsü – pil ömründen tasarruf etmek için ekranın karartılıp karartılmayacağını seçin
	Otomatik kapanma ayar menüsü – ölçeğin belirli bir süre sonra otomatik olarak kapanıp kapanmayacağını seçin
	Bilgi/Hakkında menüsü – cihaz yazılımı sürümü, MAC adresi ve FCC bilgileri dahil olmak üzere teraziyle ilgili temel bilgileri görüntüler

## 6.5 Alarmlar

Wey-TEK Pro, ağırlık ayar noktasına göre alarmlar ayarlayabilir. Bu fonksiyon soğutucu gazların geri kazanılması veya şarj edilmesi için kullanılabilir. Alarmlar, Alarm ayarları menüsünün içinden ayarlanır.

### NOTICE

Wey-TEK Pro'nun el aletinde sesli alarm özelliği bulunmamaktadır. Alarmlar sadece görseldir. Sesli alarm kullanmak için Wey-TEK Pro uygulamasını indirin. Bkz. .




Alarm ayarları ekranı, mevcut alarm ile ilgili ayarları gösterir ve bu ayarları düzenlemek için alt menüye girmenize olanak tanır.


Alarm ayar noktası	Ayar noktası ağırlığını değiştirmek için bu menüyü seçin.
Birim değiştirme	Birimi değiştirmenize izin verir. Seçenekler <b>lb/oz</b> , <b>lb</b> , <b>oz</b> , <b>kg</b> , veya <b>g</b> 'dir. UYARI: Birimleri değiştirmek, alarm set noktasını sıfırlar.
Uyarı %	Alarm ağırlığına yaklaştığınızda sizi uyaracak olan yüzdeyi seçin. Seçenekler <b>Devre dışı</b> , <b>%70</b> , <b>%80</b> , veya <b>%90</b> 'dir.
Düşük Akış Uyarısı	Eğer ağırlık iki dakikada 30 gramdan daha az değiştiyse, görsel uyarı için bu uyarı açın.
BAŞLAT	Alarmı başlatın.

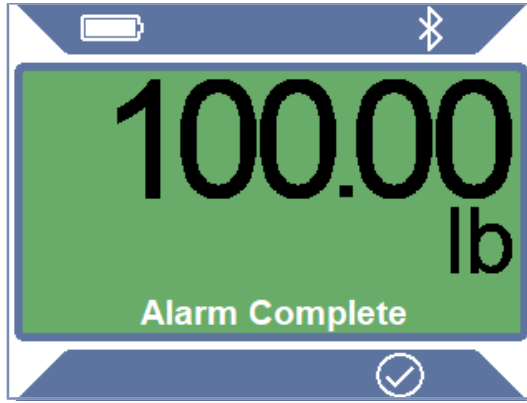


## 6.5.1 Alarm ile işletim

- 1 Alarm ayarları menüsüne girin.
- 2 Alarm parametrelerini ayarlayın.
- 3 **BAŞLAT**'ı seçin. Wey-TEK Pro, ana ekrana döner, sıfırlanır ve tartıya başlar. Ayar noktası ekranın alt kısmında görüntülenir.
- 4 Alarm tamamlandığında, ekran yeşil yanıp söner ve transfer edilen toplam soğutucuyu göstererek belirir. Kabul etmek için  tuşuna basın ve alarmı temizleyin.

### NOTICE



Alarmı iptal etmek için alarm sırasındaki herhangi bir zamanda  tuşuna basın.





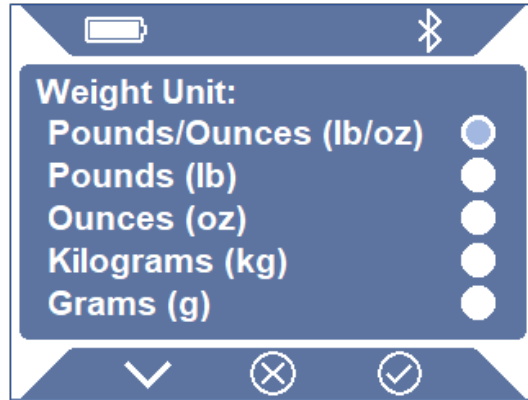
## 6.5.2 Soğutucu/Geri Kazanım Silindiri Değişirme

Eğer alarm ayarlanmışsa ve şarj/geri kazanım işlemi sırasında silindir değiştirilmesi gerekiyorsa:

- 1 Silindir valfini kapatın. Ölçeğin dengelenmesi biraz zaman alabilir.
- 2  tuşuna basın.
- 3 Silindiri değiştirin.
- 4  tuşuna basın. Wey-TEK Pro, transfer edilen ağırlığı hatırlar ve alarmı/günlüğü devam ettirir.
- 5 Yeni silindir valfini açın.

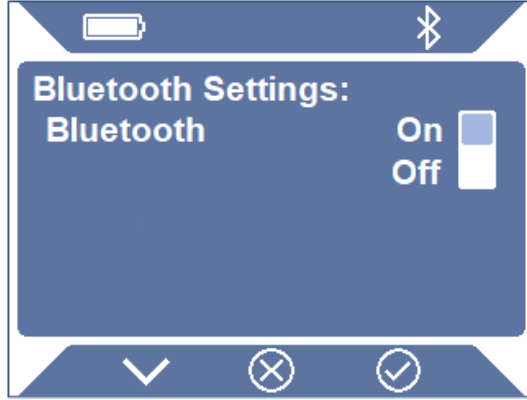
## 6.6 Birimler

Birimler menüsü, görüntülenen birimleri ayarlamanıza olanak tanır. Bu aynı zamanda ana ekrandan da yapılabilir. Birim değerleri in lb/oz, lb, oz, kg, g olabilir. Varsayılan değer is lb/oz'dir.



## 6.7 Bluetooth

Bluetooth menüsü, Bluetooth'un aktifleştirilmesine veya devre dışı bırakılmasına izin verir. Bluetooth yalnızca mobil uygulamayı kullanmak için gereklidir. Bluetooth etkinleştirildiğinde, uygulamada mobil cihazınızı eşleştirebilirsiniz. Bluetooth ayarının varsayılan ayar değeri Açık'tır.



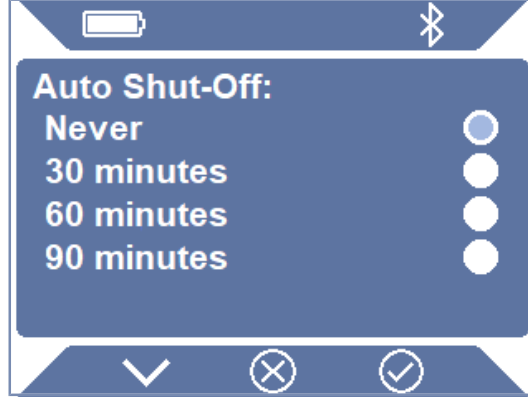
## 6.8 Ekran Karartma

Ekran karartma menüsü, belirli bir süre sonra ekranı düşük parlaklıkta karartarak pil ömrünü korumanıza olanak tanır. Varsayılan ayar değeri 1 dakikadır.



## 6.9 Otomatik Kapanma

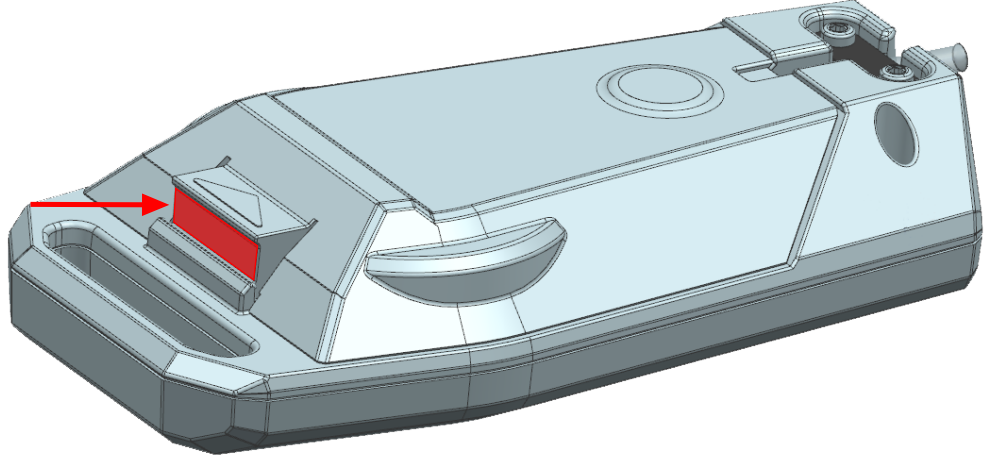
Otomatik kapanma menüsü, Wey-TEK Pro'nun kendi kendine kapanmadan önce geçen süreyi değiştirmenize olanak tanır. Zamanlayıcı (görüntülenmez), herhangi buton basımı veya ağırlık değişikliği ile sıfırlanır. Varsayılan ayar değeri Asla'dır.



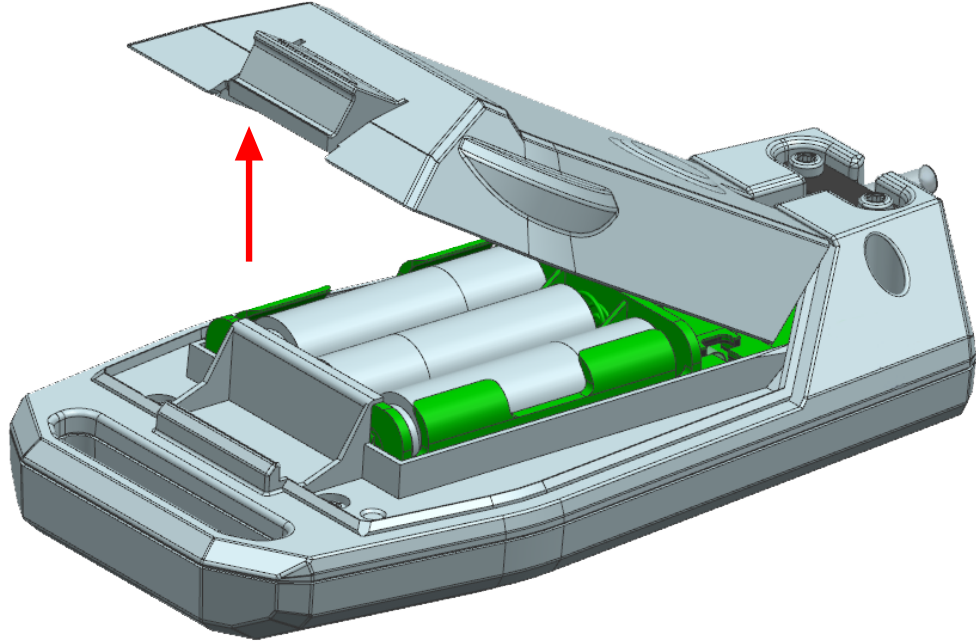
## 7 Pillerin deęiřtirilmesi

Wey-TEK Pro üç adet AA alkalın pille çalıřır. Pil kapaęı el aletinin arkasında yer alır.

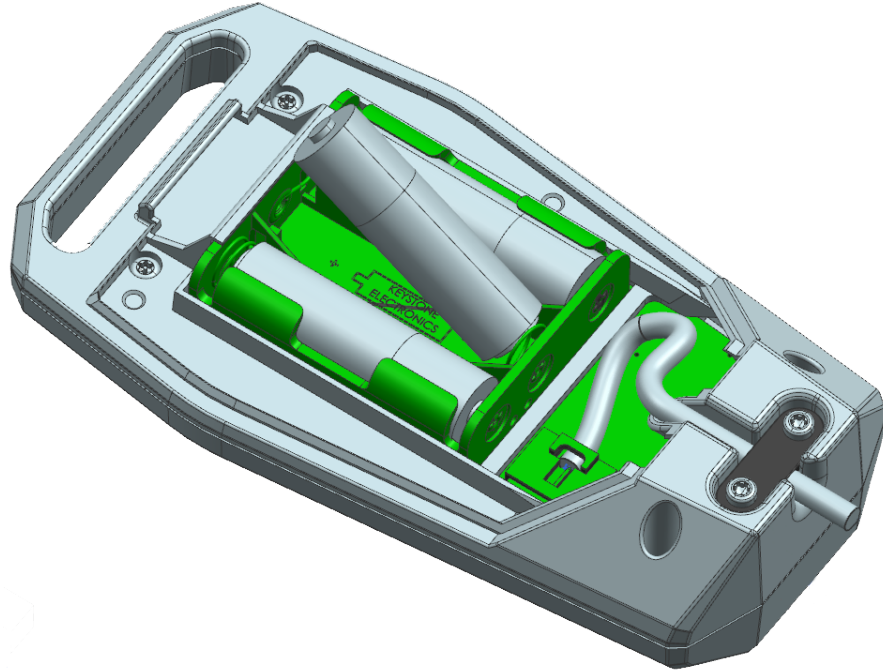
- 1 El aletini çevirin ve alt kenarda pil kapaęı kilidine ok yönünde basın.



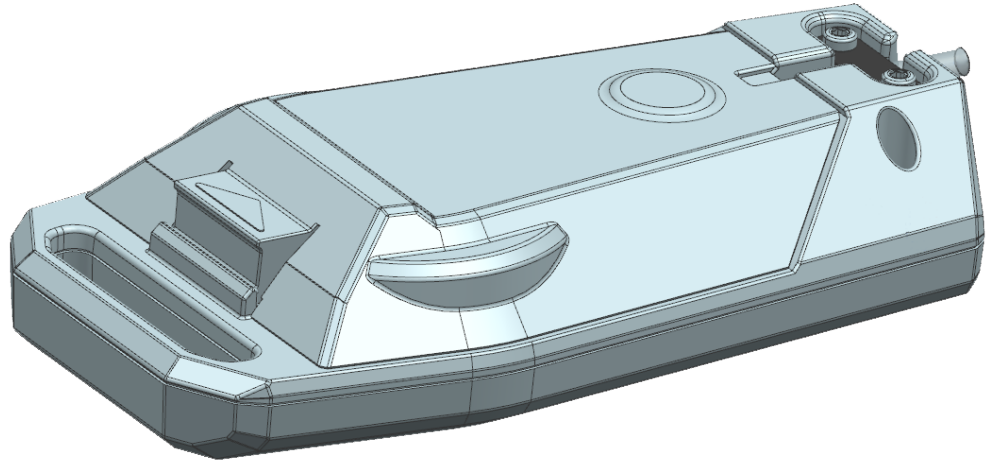
- 2 Pil kapaęını çıkarın.



3 Tükenmiř olan pilleri çıkarın ve deęiřtirin.



4 Pil kapaęını yerleřtirin.



Bitmiř alkalın pilleri geęerli yasal ve yerel yönetmeliklere uygun olarak imha edin. Bu tür düzenlemelerin olmadığı durumlarda, pilleri gönüllü bir atık geri dönüşüm programı aracılığıyla geri dönüřtürün ve/veya imha edin.

## 8 Uygulama

Ek fonksiyonlar için akıllı telefonunuz veya tabletiniz için ücretsiz Wey-TEK Pro uygulamasını indirin.

Wey-TEK Pro uygulaması şunları yapmanızı sağlar:

- El aleti ile aynı fonksiyonlara erişim
- Sesli ve görsel bildirimlerle alarmları ayarlama
- Resimler ve müşteri bilgileri de dahil olmak üzere iş günlüklerini kaydetme ve paylaşma
- Wey-TEK Pro ürün yazılımını güncelleme

### NOTICE

Uygulama ile eşleştirmek için ölçeğin eşleştirme modunda olması gerekmez.

Uygulama App Store® veya Google Play™ üzerinden indirilebilir.



## 9 Manyetik Şerit

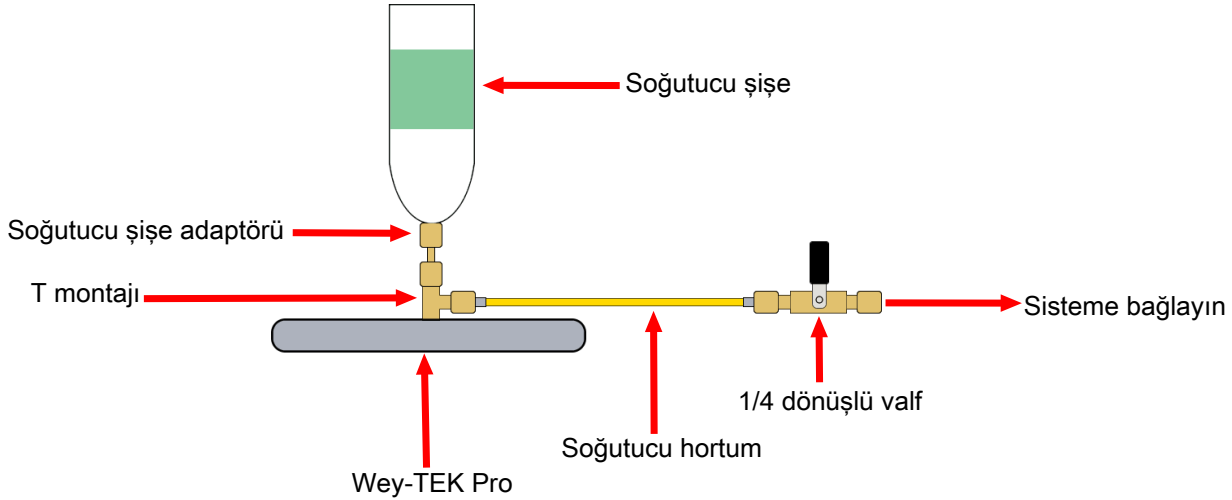
Wey-TEK Pro, el aleti serbest el kullanım asma işlemi için kullanılan bir mıknatıs kayış içerir. Şerit, el aletindeki yuvadan geçmesi için kanca ve halka kapanma sistemini kullanır. El aletini ya da mıknatısı kullanarak asma işlemini gerçekleştirin ya da şeridi, boru veya başka bir nesne etrafına döngü yaparak asın.

## 10 Küçük Şarj Adaptörü Seti

Küçük şarj adaptör seti (parti numarası 501-601-G1), A3 yanıcı soğutucu akışkanlar için ortak olan küçük bir soğutucu akışkan şişesini ölçüğe takmanıza olanak tanıyan isteğe bağlı bir aksesuardır. Bunu yapmak, kolay şarj için şişeyi güvenli bir şekilde ters çevirir.

Küçük Şarj Adaptörü Seti şunları içerir:

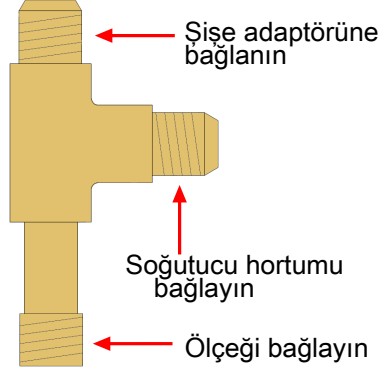
- 1/4 SAE erkek şişe dişi iplikli T montajı
- 1/4 dönüşlü valf
- 457 mm2 mm iç çaplı soğutucu hortumu
- CGA600 dişi 7/16-28 (EN417 Lindal) dişi şişe adaptörü
- 7/16-28 (EN417 Lindal) dişi 1/4 SAE erkek şişe adaptörü
- 1/4 SAE dışıdan 1/4 SAE dişi şişe adaptörüne





Adaptör kitini şu amaçla kullanın:

- 1 Küçük plastik tıpayı, küçük, düz tornavida veya benzer araç kullanarak ölçek platformundan çıkarın.
- 2 T montajı, ölçek platformuna vidalayın.



- 3 Gerekirse, soğutucu şişeniz için uygun hazne adaptörünü seçin ve T montajına bağlayın.
- 4 Soğutucu hortumun bir ucunu T montajına, diğer ucunu ise 1/4 dönüşlü valfe bağlayın.
- 5 1/4 dönüşlü valf kapalı konumdayken, soğutucu şişeyi soğutucu hazne adaptörüne bağlayın.
- 6 1/4 dönüşlü valfi sisteme bağlayın.
- 7 Sistemi şarj etmek için 1/4 dönüşlü valfi yavaşça açın. İşlem tamamlandığında valfi kapatın.

## NOTICE

Tüm montaj parçalarını elle sıkın.

# 11 Temizlik ve Depolama

Wey-TEK Pro, yumuřak deterjan veya izopropil alkol ile temizlenebilir. Temizleyicinin el aletine girmesini önlemek için özen gösterilmelidir. Plastięe veya ekrana zarar verebileceęinden benzin, aseton veya dięer agresif solventlerle temizlemeyin.

## NOTICE

Platform alüminyumdan yapılmıřtır ve belirli çözücülerle leke alabilir.

## 12 El aleti veya kablo deęiřtirme

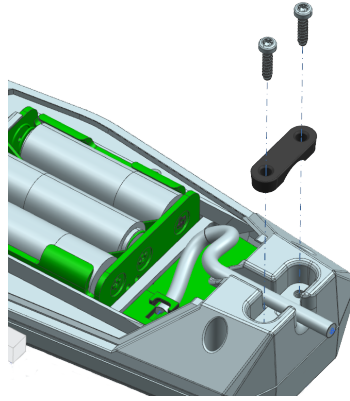
El aleti veya kablo hasar gorurse, el aletini (PN 501-701-G1) veya platform/kablo montajını (PN 501-702-G1) deęiřtirmek mmkndr. Kablo, platformun iindeki yk hcresine sabitlenmiřtir, bundan dolayı birlikte deęiřtirilmeleri gerekir.



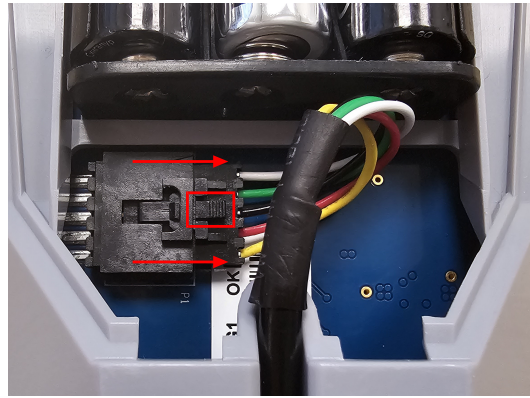
El aletinde ESD hasarını onlemek iin deęiřiklik yapmadan once kendinizi topraklamak onerilir.

Hem el aletini hem de platformu/kabloyu deęiřtirmek iin:

- 1 Wey-TEK Pro'yu kapatın.
- 2 Pil kapaęını el aletinden ıkarın.
- 3 El aletindeki iki vidayı T10 yıldız tornavida kullanarak ıkarın.



- 4 Kablo desteęini ıkarın.
- 5 Baęlayıcının kilidine ařaęıya doęru basın ve baęlayıcıyı soketten DİKKATLİ řekilde ekin.



- 6 El aletini veya platformu/kablo montajını deęiřtirin ve ters sırayla tekrar monte edin.

### NOTICE

Vidaları ařırı sıkmayın.

## 13 Yedek Parçalar ve Aksesuarlar

Küçük şarj adaptörü seti	501-601-G1
Yedek parça taşıma çantası	501-700-G1
Yedek parça el aleti (manyetik şerit dahil)	501-701-G1
Kablolu yedek ölçek platformu	501-702-G1
Manyetik şerit	501-311-P1
Yedek pil kapağı	501-308-P1

## 14 Garanti ve Sorumluluğun Sınırlandırılması

INFICON, cihazınızın satın alma tarihinden itibaren bir veya iki yıl boyunca (bölgeye bağlı olarak) malzeme veya işçilik kusurları taşımayacağını garanti eder. INFICON, piller, sensörler ve filtreler dahil olmak üzere normal kullanımda bozulan öğeler için garanti vermez. Buna ek olarak, INFICON yanlış kullanım, ihmal veya kazaya maruz kalmış veya INFICON dışında herhangi biri tarafından tamir edilmiş veya değiştirilmiş cihazlar için garanti vermez. INFICON'un sorumluluğu, garanti süresinin sona ermesinden sonraki otuz (30) günü geçmeyen bir süre içinde nakliye ücreti önceden ödenmiş olarak INFICON'a iade edilen ve INFICON'un kusurlu malzeme veya işçilik nedeniyle arızalandığına karar verdiği cihazlarla sınırlıdır. INFICON'un sorumluluğu, kendi tercihine bağlı olarak, kusurlu aletin veya parçanın onarılması veya değiştirilmesi ile sınırlıdır. Bu garanti, TİCARİ ELVERİŞLİLİK veya BELİRLİ BİR AMACA UYGUNLUK veya başka türlü olsun, açık veya zımni diğer tüm garantilerin yerine geçer. Bu tür diğer tüm garantiler açıkça reddedilmektedir. INFICON, cihaz için INFICON'a ödenen fiyat ve iade için önceden ödenmiş nakliye ücretlerini aşan herhangi bir yükümlülük taşımaz. INFICON, arızı veya dolaylı zararlar için hiçbir sorumluluk kabul etmez. Bu türden tüm yükümlülükler HARIÇTİR.

# Inhoudsopgave

<b>1 Disclaimer en copyright</b> .....	<b>223</b>
<b>2 Waarschuwingen</b> .....	<b>224</b>
<b>3 Specificaties</b> .....	<b>225</b>
<b>4 Wey-TEK Pro</b> .....	<b>226</b>
<b>5 Schermindeling en symbolen</b> .....	<b>227</b>
<b>6 Bediening</b> .....	<b>229</b>
6.1 Aan de slag.....	229
6.2 Het instrument aanzetten en voorbereiden voor gebruik.....	229
6.3 Wegen/startscherm.....	230
6.4 Menu 'Instellingen'.....	231
6.5 Alarmen.....	232
6.5.1 Werken met een alarm.....	233
6.5.2 De koelvloeistof/terugwincilinder vervangen.....	234
6.6 Eenheden.....	234
6.7 Bluetooth.....	235
6.8 Scherm dimmen.....	235
6.9 Automatische uitschakeling.....	236
<b>7 De batterijen vervangen</b> .....	<b>237</b>
<b>8 App</b> .....	<b>239</b>
<b>9 Magnetische band</b> .....	<b>240</b>
<b>10 Kleine vuladapterset</b> .....	<b>241</b>
<b>11 Reiniging en opslag</b> .....	<b>243</b>
<b>12 De handheld of het snoer vervangen</b> .....	<b>244</b>
<b>13 Vervangende onderdelen en accessoires</b> .....	<b>245</b>
<b>14 Garantie en aansprakelijkheidsbeperking</b> .....	<b>246</b>

# 1 Disclaimer en copyright

## Aansprakelijkheidsbeperking

De informatie in deze handleiding wordt geacht correct en betrouwbaar te zijn. INFICON kan echter niet verantwoordelijk worden gesteld voor het gebruik ervan en is niet aansprakelijk voor enige speciale, incidentele of gevolgschade in verband met het gebruik van dit product.

Vanwege ons voortdurende programma van productverbeteringen kunnen de specificaties zonder voorafgaande kennisgeving worden gewijzigd.

## Copyright

©2024 Alle rechten voorbehouden.

Verveelvoudiging of aanpassing van enig deel van dit document zonder toestemming is onwettig.

Wey-TEK is een geregistreerd handelsmerk van INFICON.

Apple, het Apple-logo en iPhone zijn handelsmerken van Apple Inc., geregistreerd in de Verenigde Staten en andere landen. App Store is een dienstmerk van Apple Inc.

Google Play en het Google Play-logo zijn handelsmerken van Google LLC.

Het Bluetooth®-woordmerk en de Bluetooth®-logo's zijn geregistreerde handelsmerken van Bluetooth SIG, Inc. Het gebruik van deze merken door INFICON is onder licentie.

Alle andere handelsmerken en handelsnamen behoren toe aan hun respectievelijke eigenaars.

## 2 Waarschuwingen

Let bij het gebruik van deze handleiding op de opmerkingen, voorzorgsmaatregelen en waarschuwingen die overal te vinden zijn. In deze handleiding worden ze als volgt gedefinieerd:



### **⚠ WAARSCHUWING**

Het niet opvolgen van deze berichten kan leiden tot persoonlijk letsel.



### **⚠ VOORZICHTIG**

Het niet opvolgen van deze berichten kan leiden tot slechte prestaties van Wey-TEK Pro.



### **⚠ CAUTION**

Als de apparatuur wordt gebruikt op een manier die niet is gespecificeerd in de informatie in deze gebruikershandleiding, kan de door de apparatuur geboden bescherming in gevaar komen.



Relevante informatie die nuttig is bij het bereiken van maximale efficiëntie van Wey-TEK Pro wanneer deze wordt opgevolgd.

Dit apparaat is getest en voldoet aan de limieten voor een digitaal apparaat van klasse A, volgens deel 15 van de FCC-voorschriften. Deze limieten zijn ontworpen om redelijke bescherming te bieden tegen schadelijke interferentie wanneer de apparatuur wordt gebruikt in een commerciële omgeving. Dit apparaat genereert en gebruikt radiofrequentie-energie en kan deze uitstralen. Als het apparaat niet wordt geïnstalleerd en gebruikt volgens de instructies in de handleiding, kan dit leiden tot schadelijke interferentie met radiocommunicatie. Het gebruik van deze apparatuur in een woonwijk zal waarschijnlijk schadelijke interferentie veroorzaken, in welk geval de gebruiker de interferentie op eigen kosten zal moeten corrigeren.



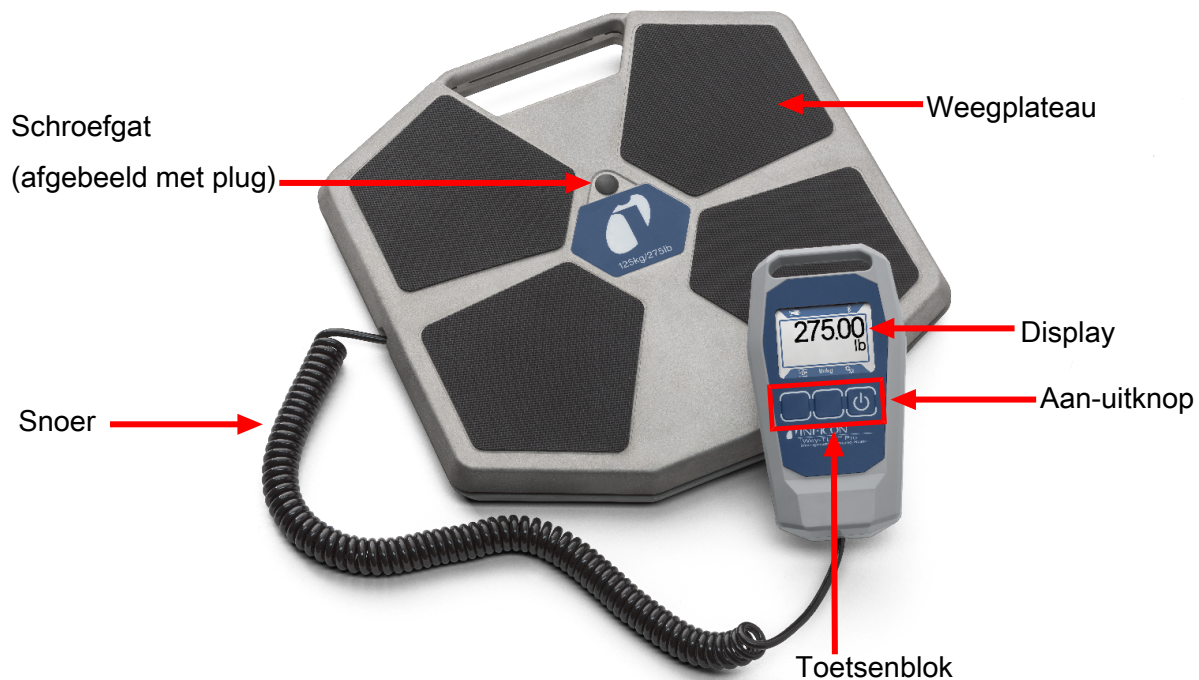
### 3 Specificaties

Gebruik	Binnen of buiten
Gewichtscapaciteit	125 kg
Nauwkeurigheid	$\pm 0,06\%$ van aflezing of $\pm 3g$ (welke groter is)
Weergaveresolutie	g: 3g oz: 0.1 oz lb: 0.01 lb lb/oz: 0.02 oz kg: 0.01 kg
Bedrijfstemperatuur	-18 tot 50 °C*
Opslagtemperatuur	-30 tot 80 °C
Vochtigheid	85% RH bij 45 °C, niet-condenserend
Hoogte	2000 m
Voeding	3 AA alkalinebatterijen
Levensduur van de batterij	Afhankelijk van diminstellingen Zonder dimmen: ~30 uur Altijd gedimd: ~150 uur
IP-beschermingsgraad	IP44
Vervuilingsgraad	3
Overspanningscategorie	II
Gewicht (inclusief batterijen)	2880 g
Afmetingen plateau (L x B x H)	29,1 x 29,1 x 3,7 cm
Snoerlengte	50,3 cmopgerold 262 cmuitgerold

\*Gebruik onder 0°C moet beperkt worden. De nauwkeurigheid kan variëren bij temperaturen onder -10° C.

## 4 Wey-TEK Pro

Wey-TEK Pro is een zeer nauwkeurige weegschaal ontworpen voor gebruik in HVAC/R-toepassingen voor het wegen van koudemiddel tijdens het terugwinnen of vullen van AC- of koelsystemen. De weegschaal kan worden gebruikt met de bijgevoegde handheld, of met een telefoon of tablet met behulp van de gratis te downloaden app.



## 5 Schermindeling en symbolen

Wey-TEK Pro gebruikt het displayscherm voor alle indicators en informatie. Het display bestaat uit een bovenbalk, een hoofddisplay en een onderste balk.



**Bovenste balk:** De bovenste balk bevat het batterijsymbool en de Bluetooth-status.

Symbool	Beschrijving
	de batterijlading is 75–100%
	de batterijlading is 50–74%
	de batterijlading is 30–49%
	de batterijlading is 10–29%
	de batterijlading is kritisch laag: < 10%
	Bluetooth is ingeschakeld
	Er is een Bluetooth-apparaat gekoppeld

**Hoofddisplay:** Het hoofddisplay toont relevante informatie voor het huidige scherm. Wey-TEK Pro start op in het startscherm, dat het huidige gewicht en de eenheden weergeeft. Er worden ook relevante indicatoren weergegeven als er een alarm of log actief is.

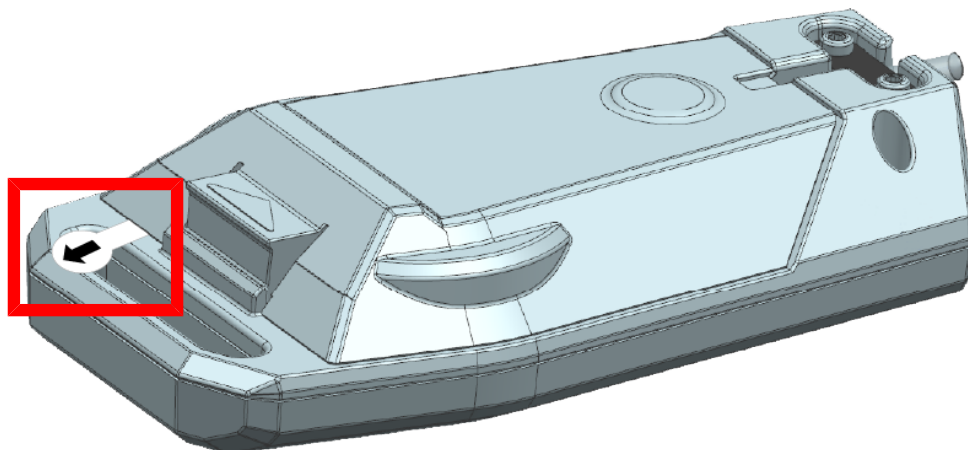
**Onderste balk:** De onderste balk toont de opties voor de drie toetsenbordfuncties. Functies veranderen afhankelijk van het huidige scherm en de selectie. De onderstaande tabel toont de verschillende pictogrammen en hun respectieve functies.

Symbol	Beschrijving
	Op nul zetten/tarragewicht bepalen
	Displayeenheden doorlopen (lb/oz, lb, oz, kg, g)
	Naar instellingenmenu gaan
	Door opties bladeren
	Volgende beschikbare instelling markeren
	Gemarkeerd cijfer vergroten
	Cursor naar volgend cijfer verplaatsen; ingedrukt houden om setpoint weer op nul te zetten
	Naar geselecteerd instellingenmenu of submenu gaan; gewijzigde instelling accepteren en opslaan; voltooid alarm/logboek accepteren; alarm starten
	Wijziging annuleren; alarm annuleren
	Teruggaan naar startscherm
	Actueel alarm onderbreken
	Momenteel onderbroken alarm hervatten

## 6 Bediening

### 6.1 Aan de slag

Wey-TEK Pro wordt geleverd met drie AA alkalinebatterijen die al geplaatst zijn. Voordat u Wey-TEK Pro voor de eerste keer aanzet, moet u de isolatorstrip van de batterij uit het batterijvak van de handheld verwijderen. Pak de isolatorstrip stevig vast en trek naar de bovenkant van de handheld om deze te verwijderen.



### 6.2 Het instrument aanzetten en voorbereiden voor gebruik

Druk de aan-uitknop (knop aan rechterkant op handheld) lang in om de Wey-TEK Pro in of uit te schakelen. De Wey-TEK Pro geeft bij het opstarten eerst kort de firmwareversie weer. Daarna verschijnt het startscherm.

#### OPMERKING

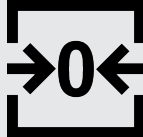

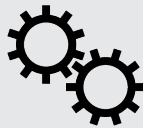
Als het scherm niet wordt ingeschakeld, zijn de batterijen leeg en moeten ze vervangen worden. Zie De batterijen vervangen [▶ 237].

## 6.3 Wegen/startscherm

De Wey-TEK Pro start automatisch op in het startscherm en geeft daarna onmiddellijk het gewicht in real-time aan. Plaats een tank of ander voorwerp op het weegplateau om te wegen. Als er een alarm is ingesteld, wordt het setpoint onderaan op het hoofddisplay weergegeven.








Druk in het startscherm op de overeenkomstige toetsen op het toetsenbord om de volgende acties uit te voeren:

Symbol	Beschrijving
	Op nul zetten/tarragewicht bepalen
	Displayeenheden doorlopen (lb/oz, lb, oz, kg, g)
	Naar instellingenmenu gaan

## 6.4 Menu 'Instellingen'

Gebruik het toetsenbord in het instellingenmenu om de instellingen voor specifieke functies te selecteren en in te voeren. Het huidige geselecteerde submenu is donkerblauw gemarkeerd.



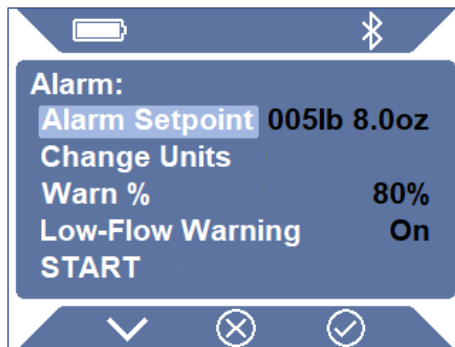
Symbol	Beschrijving
	Menu 'Alarminstellingen': alarmen op basis van gewicht instellen
<b>lb/kg</b>	Menu 'Eenheidsinstellingen' - weergave-eenheden wijzigen
	Menu 'Bluetooth-instellingen' - Bluetooth in- of uitschakelen
	Menu 'Scherm dimmen instellen': dimmen van display selecteren om batterijduur te verlengen
	Menu 'Automatisch uitschakelen instellen': selecteren of weegschaal na een bepaalde tijdsduur automatisch uitschakelt
	Menu 'Info/Help': algemene informatie over weegschaal, waaronder firmwareversie, MAC-adres en FCC-gegevens

## 6.5 Alarmen

Wey-TEK Pro kan alarmen instellen op basis van een gewichtsetpoint. Deze kan worden gebruikt voor het terugwinnen of vullen van koudemiddelen. Alarmen worden ingesteld in het menu 'Alarminstellingen'.

### OPMERKING

Wey-TEK Pro heeft geen hoorbare alarmen in de handheld. Alarmen zijn alleen visueel zichtbaar. Download de Wey-TEK Pro-app voor hoorbare alarmen. Zie .




Het alarminstellingenscherf toont de huidige alarmgerelateerde instellingen en staat u toe submenu's te openen om deze instellingen te bewerken.

Alarmsetpoint	Selecteer dit menu om het setpointgewicht te wijzigen.
Eenheden wijzigen	Hiermee kunt u de eenheden wijzigen. Opties zijn <b>lb/oz, lb, oz, kg</b> of <b>g</b> .  OPMERKING: Als de eenheden worden gewijzigd, wordt het alarmsetpoint op nul teruggezet.
Waarschuwing%	Selecteer een percentage van het ingestelde alarmsetpoint waarop er wordt gewaarschuwd dat u uw alarmgewicht nadert. Opties zijn <b>uitgeschakeld, 70%, 80%</b> of <b>90%</b> .
Waarschuwing laag debiet	Zet deze instelling aan voor een visuele waarschuwing als het gewicht in twee minuten minder dan 30 g is veranderd.
START	Start het alarm.






## 6.5.1 Werken met een alarm

- 1 Naar instellingenmenu gaan.
- 2 Stel de alarmparameters in.
- 3 Selecteer **START**. Wey-TEK Pro keert terug naar het startscherm, zet een nul en begint te wegen. Het setpoint wordt onderaan het scherm weergegeven.
- 4 Als het alarm is voltooid, knippert het scherm groen en wordt de totale hoeveelheid getransporteerd koudemiddel weergegeven. Druk op  om het alarm te accepteren en te wissen.



### OPMERKING

Om een alarm te annuleren, kunt u op elk gewenst moment tijdens het alarm op  drukken.



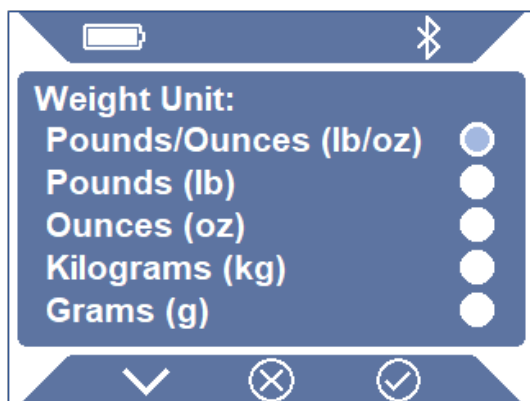
## 6.5.2 De koelvloeistof/terugwincilinder vervangen

Als er een alarm is ingesteld en de cilinder moet worden vervangen tijdens het vul-/terugwinproces:

- 1 Sluit de cilinderklep. Het kan even duren voordat de weegschaal zich stabiliseert.
- 2 Druk op .
- 3 Vervang de cilinder.
- 4 Druk op . Wey-TEK Pro onthoudt het overgebrachte gewicht en hervat het alarm/logboek.
- 5 Open de nieuwe cilinderklep.

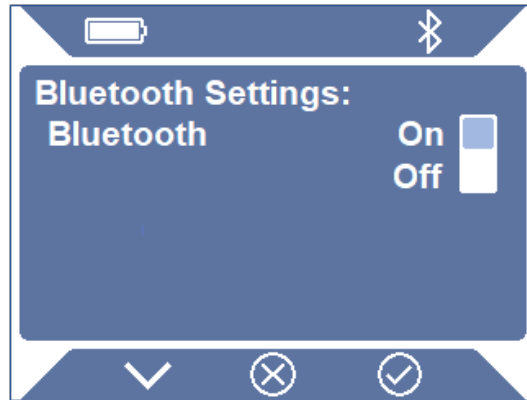
## 6.6 Eenheden

Met het menu 'Eenheden' kunt u de weergegeven eenheden instellen. Dit kan ook op het startscherm worden gedaan. Eenheden kunnen worden weergegeven in lb/oz, lb, oz, kg, g. De standaardinstelling is lb/oz.



## 6.7 Bluetooth

Met het menu 'Bluetooth' kunt u Bluetooth in- of uitschakelen. Bluetooth is alleen nodig om de mobiele app te gebruiken. Als Bluetooth is ingeschakeld, kunt u uw mobiele apparaat koppelen in de app. De standaardinstelling van Bluetooth is Aan.



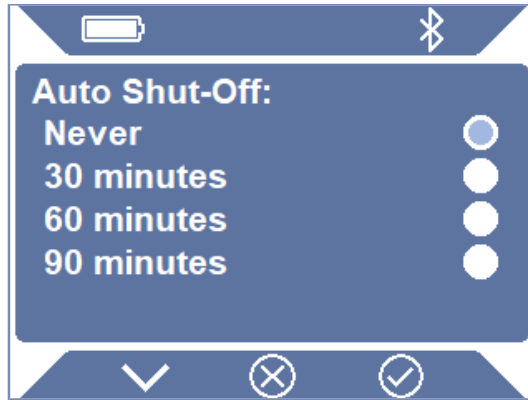
## 6.8 Scherm dimmen

Met het menu 'Scherm dimmen' kunt u de batterij sparen door het scherm na een bepaalde tijd te dimmen tot lage helderheid. De standaardinstelling is 1 minuut.



## 6.9 Automatische uitschakeling

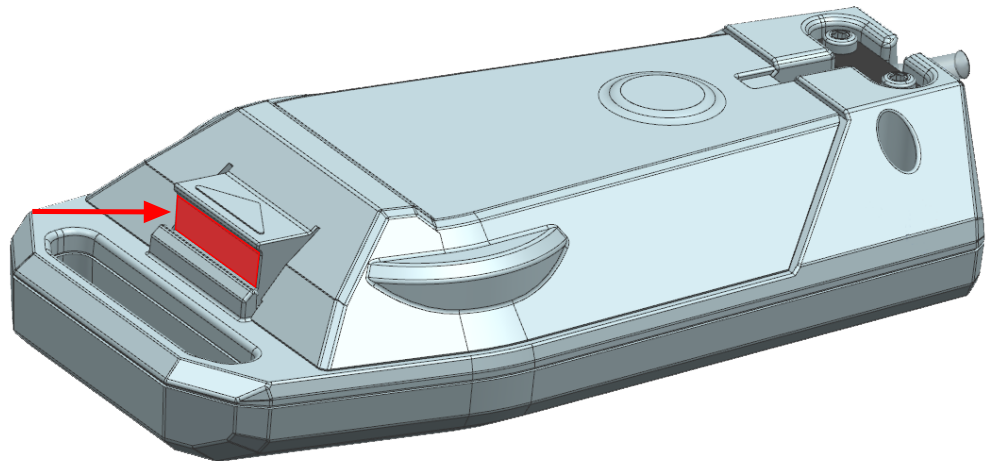
In het menu 'Automatische uitschakeling' kunt u de tijd instellen voordat Wey-TEK Pro vanzelf uitschakelt. De timer (niet weergegeven) wordt gereset bij elke druk op de knop of verandering van gewicht. De standaardinstelling is Nooit.



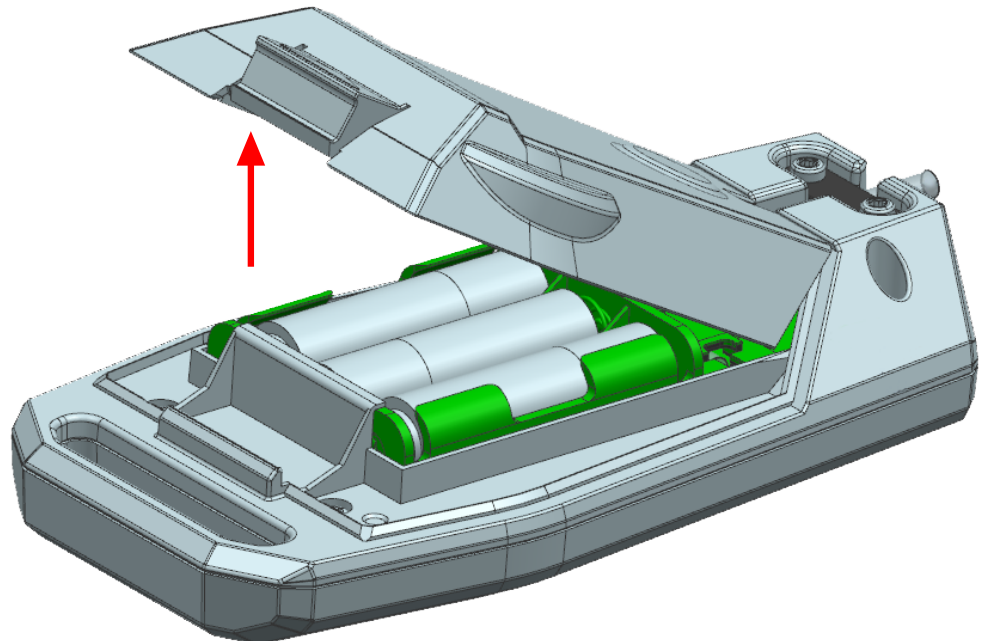
## 7 De batterijen vervangen

De Wey-TEK Pro werkt op drie AA-alkalinebatterijen. Het batterijklepje bevindt zich aan de achterkant van de handheld.

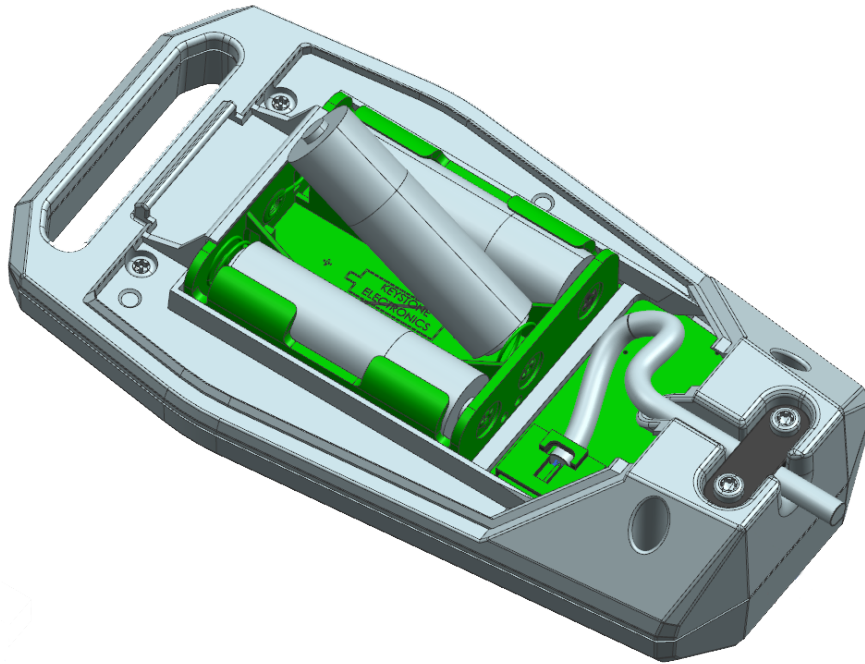
- 1 Draai de handheld om en druk in de richting van de pijl op de sluiting van het batterijklepje onder de lip.



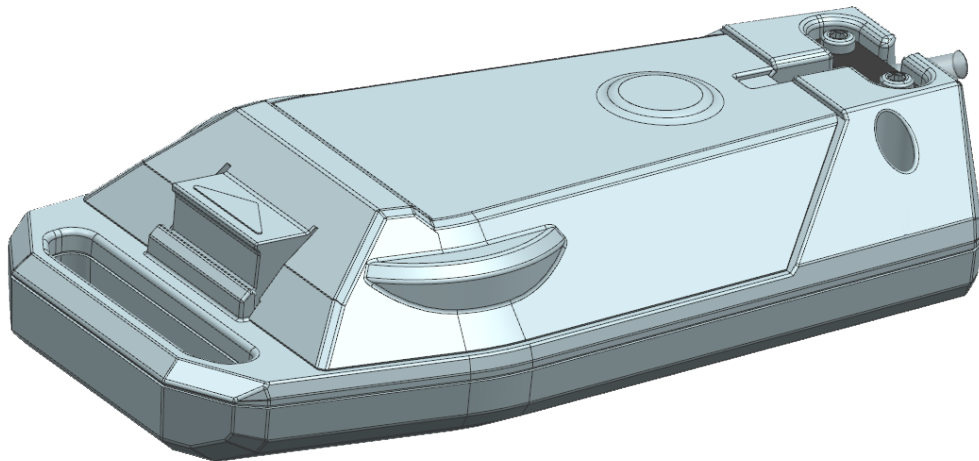
- 2 Verwijder het batterijklepje.



- 3 Verwijder en vervang de lege batterijen.



- 4 Plaats het batterijklepje terug.



Gooi de lege alkalinebatterijen weg overeenkomstig de toepasselijke wet- en regelgeving. Bij het ontbreken van dergelijke regelgeving moet u de batterijen afvoeren via een vrijwillig afvalrecyclingprogramma.

## 8 App

Download voor aanvullende functies de gratis Wey-TEK Pro-app voor uw smartphone of tablet.

De Wey-TEK Pro-app biedt het volgende:

- Gebruik van dezelfde functies als die van de handheld
- Alarmen instellen met hoorbare en zichtbare meldingen
- Taaklogboeken, waaronder afbeeldingen en klantgegevens
- Firmware van Wey-TEK Pro bijwerken

---

### OPMERKING

De weegschaal hoeft niet in de koppelmodus te zijn voor koppeling met de app.

---

De app kan gedownload worden in de App Store® of via Google Play™.



## 9 Magnetische band

Wey-TEK Pro wordt geleverd met een magnetische band waarmee de handheld opgehangen kan worden voor handsfree gebruik. De band maakt gebruik van een klittenbandsluiting om door de gleuf in de handheld te lussen. Hang de handheld op met behulp van de magneet of door de band om een buis of ander voorwerp te lussen.

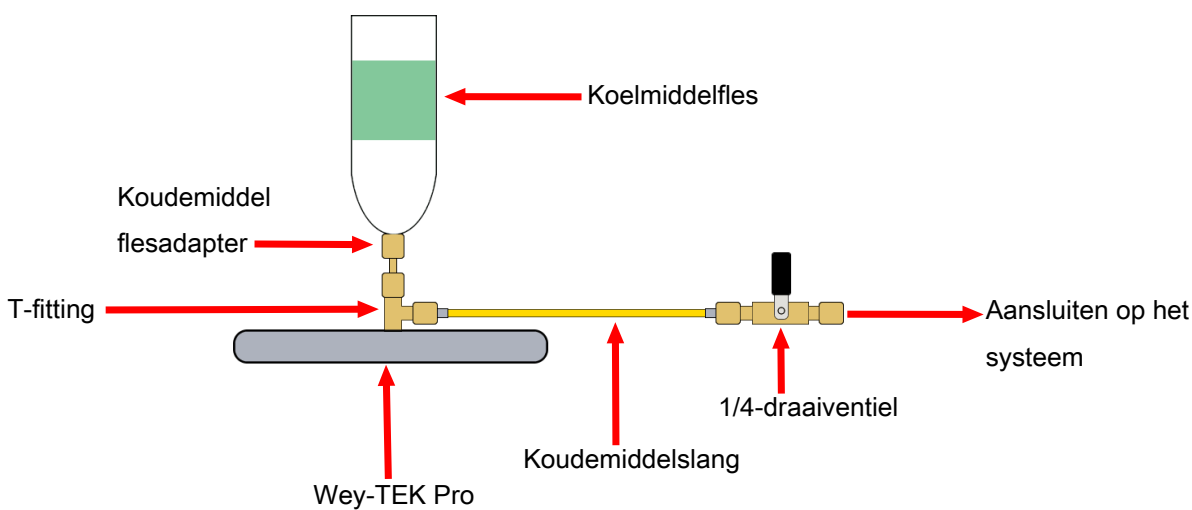


## 10 Kleine vuladapterset

De kleine vuladapterset (onderdeelnr. 501-601-G1) is een optioneel accessoire waarmee u een kleine koudemiddelfles, vergelijkbaar met die van ontvlambare A3-koudemiddelen, aan de weegschaal kunt bevestigen. Hierdoor blijft de fles veilig omgekeerd, zodat hij gemakkelijk kan worden gevuld.

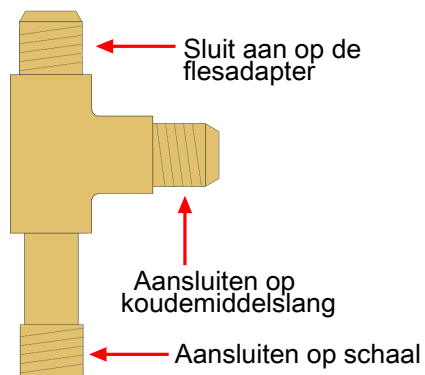
De kleine vuladapterset bevat:

- T-fitting met 1/4 SAE buitendraad voor flessen
- 1/4-draaiventiel
- 18 in. (457 mm) koudemiddelslang met 2 mm binnendiameter
- CGA600 vrouwelijk naar 7/16-28 (EN417 Lindal) vrouwelijke flesadapter
- 7/16-28 (EN417 Lindal) vrouwelijk naar 1/4 SAE mannelijke flesadapter
- 1/4 SAE vrouwelijk naar 1/4 SAE vrouwelijk flesadapter



De adapterkit gebruiken:

- 1 Verwijder de kleine plastic plug van het weegschaalplateau met een kleine, platte schroevendraaier of vergelijkbaar gereedschap.
- 2 Schroef de T fitting in het weegschaalplateau.



- 3 Selecteer de juiste tankadapter voor uw koudemiddelfles en bevestig deze op de T-fitting.
- 4 Bevestig het ene uiteinde van de koudemiddelslang aan de T-fitting en het andere uiteinde aan het 1/4-draaiventiel.
- 5 Bevestig de koudemiddelfles op de koudemiddeltankadapter met het 1/4-draaiventiel in de gesloten stand.
- 6 Bevestig het 1/4-draaiventiel aan het systeem.
- 7 Open langzaam het 1/4-draaiventiel om het systeem te vullen. Sluit het ventiel als u klaar bent.

### OPMERKING

Draai alle fittingen met de hand vast.

---

# 11 Reiniging en opslag

Wey-TEK Pro kan worden gereinigd met een mild schoonmaakmiddel of isopropylalcohol. Zorg ervoor dat er geen reinigingsmiddel in de handheld terecht komt. Reinig het apparaat niet met benzine, aceton of andere agressieve oplosmiddelen, omdat deze het plastic of het display kunnen beschadigen.

---

## OPMERKING

Het plateau is gemaakt van aluminium en kan vlekken krijgen met bepaalde oplosmiddelen.

---

## 12 De handheld of het snoer vervangen

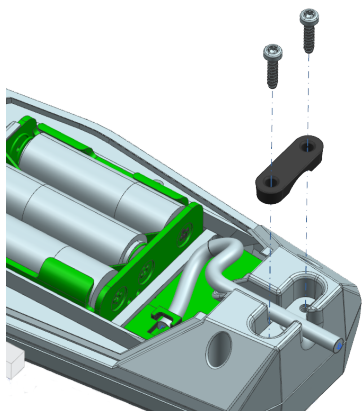
Als de handheld of het snoer beschadigd raakt, is het mogelijk om de handheld (PN 501-701-G1) of het plateau/snoer (PN 501-702-G1) te vervangen. Het snoer is vast verbonden met de laadcel in het plateau, dus ze moeten samen worden vervangen.



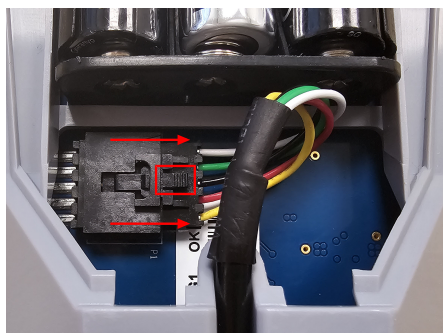
Het wordt aanbevolen om uzelf te aarden voordat u de vervanging uitvoert om ESD-schade aan de handheld te voorkomen.

De handheld of het plateau/snoer vervangen:

- 1 Zet Wey-TEK Pro uit.
- 2 Verwijder het batterijklepje van de handheld.
- 3 Verwijder de twee schroeven op de handheld met een T10 sterschroevendraaier.



- 4 Verwijder de snoersteun.
- 5 Druk de vergrendeling van de connector omlaag en trek de connector **VOORZICHTIG** uit de aansluiting.



- 6 Vervang de handheld of het plateau/snoer en zet het in omgekeerde volgorde weer in elkaar.

### OPMERKING

Draai de schroeven niet te vast aan.

## 13 Vervangende onderdelen en accessoires

Kleine vuladapterset	501-601-G1
Vervanging kunststof draagkoffer	501-700-G1
Vervangende handheld (inclusief magnetische band)	501-701-G1
Vervangend weegplateau met kabel	501-702-G1
Magnetische band	501-311-P1
Vervangend batterijklepje	501-308-P1

## 14 Garantie en aansprakelijkheidsbeperking

INFICON garandeert dat uw instrument vrij is van materiaal- en fabricagefouten gedurende één of twee jaar (afhankelijk van de regio) vanaf de aankoopdatum. INFICON geeft geen garantie voor items die bij normaal gebruik verslechteren, zoals batterijen, sensoren en filters. Bovendien geeft INFICON geen garantie voor instrumenten die zijn misbruikt, bij nalatigheid of ongeval, of die zijn gerepareerd of gewijzigd door iemand anders dan INFICON. De aansprakelijkheid van INFICON is beperkt tot instrumenten die uiterlijk dertig (30) dagen na afloop van de garantieperiode aan INFICON worden geretourneerd, franco worden vervoerd en waarvan INFICON oordeelt dat de defecten zijn veroorzaakt door gebrekkige materialen of vakmanschap. De aansprakelijkheid van INFICON is beperkt tot, naar eigen keuze, het herstellen of vervangen van het defecte instrument of onderdeel. Deze garantie komt in de plaats van alle andere expliciete of impliciete garanties, of het nu gaat om VERKOOPBAARHEID of GESCHIKTHEID VOOR GEBRUIK of anderszins. Al deze overige garanties worden uitdrukkelijk afgewezen. INFICON is niet aansprakelijk voor een hoger bedrag dan de prijs die aan INFICON voor het instrument is betaald, vermeerderd met de kosten voor het terugsturen van het instrument en de vooruitbetaalde transportkosten. INFICON stelt zich niet aansprakelijk voor incidentele of gevolgschade. Alle andere aansprakelijkheden zijn **UITGESLOTEN**.

# 目錄

1 免責聲明與版權聲明 .....	248
2 注意與警告事項 .....	249
3 規格 .....	250
4 Wey-TEK Pro .....	251
5 螢幕配置與符號 .....	252
6 操作 .....	254
6.1 開始使用 .....	254
6.2 啟動儀器／使用前的準備 .....	254
6.3 量秤／首頁畫面 .....	255
6.4 設定功能表 .....	256
6.5 警報 .....	257
6.5.1 搭配警報操作 .....	258
6.5.2 更換冷媒／回收鋼瓶 .....	259
6.6 單位 .....	259
6.7 藍牙 .....	259
6.8 降低畫面亮度 .....	260
6.9 自動關機 .....	260
7 更換電池 .....	261
8 應用程式 .....	263
9 磁性繫帶 .....	264
10 少量充填用接合器套件 .....	265
11 清潔與存放 .....	267
12 更換手持介面或捲線 .....	268
13 替換用零件與配件 .....	269
14 保固與責任限制 .....	270

# 1 免責聲明與版權聲明

## 免責聲明

INFICON認為本手冊中包含的資訊準確可靠。然而INFICON不對手冊之使用承擔任何責任，且對於使用本產品之相關特殊、附帶及間接損害概不負責。

因我們會不斷改善產品，故規格可能會改變而不另行通知。

## 版權聲明

©2024保留所有權利。

在未經許可下對本文件的任何部分進行重製或改寫為非法行為。

Wey-TEK為INFICON的商標。

Apple、Apple標誌與iPhone皆為Apple Inc.在美國及其他國家的註冊商標。App Store為Apple Inc的服務商標。

Google Play與Google Play標誌皆為Google LLC的商標。

Bluetooth®字樣與標誌為Bluetooth SIG, Inc.擁有的註冊商標，INFICON使用所有這類商標均經過授權。

其他商標與商業名稱均其各自所有人擁有。



## 2 注意與警告事項

使用本手冊時，請留意其中的備註、注意與警告事項。本手冊中定義有以下注意事項：



### ⚠ 警告

未注意此訊息可能會導致人員受傷。



### ⚠ 小心

未注意此訊息可能會導致Wey-TEK Pro效能不佳。



### ⚠ CAUTION

若以本使用手冊所含資訊中未指定的方式使用設備，則設備提供的保護可能會受到損害。



遵循此處列出的相關實用資訊能最大程度發揮出Wey-TEK Pro的效率。

此設備經過測試並符合FCC規則第15部分中有關Class A數位裝置的限制。這些限制的設計能為設備在商務環境下操作時提供合理保護以對抗有害的干擾。此設備會產生、使用與發射射頻能量，若未依照說明手冊的指示安裝或使用時可能會對無線電通訊造成有害干擾。在住宅區操作此設備可能會造成有害干擾，此時使用者必須自行修正干擾狀況。

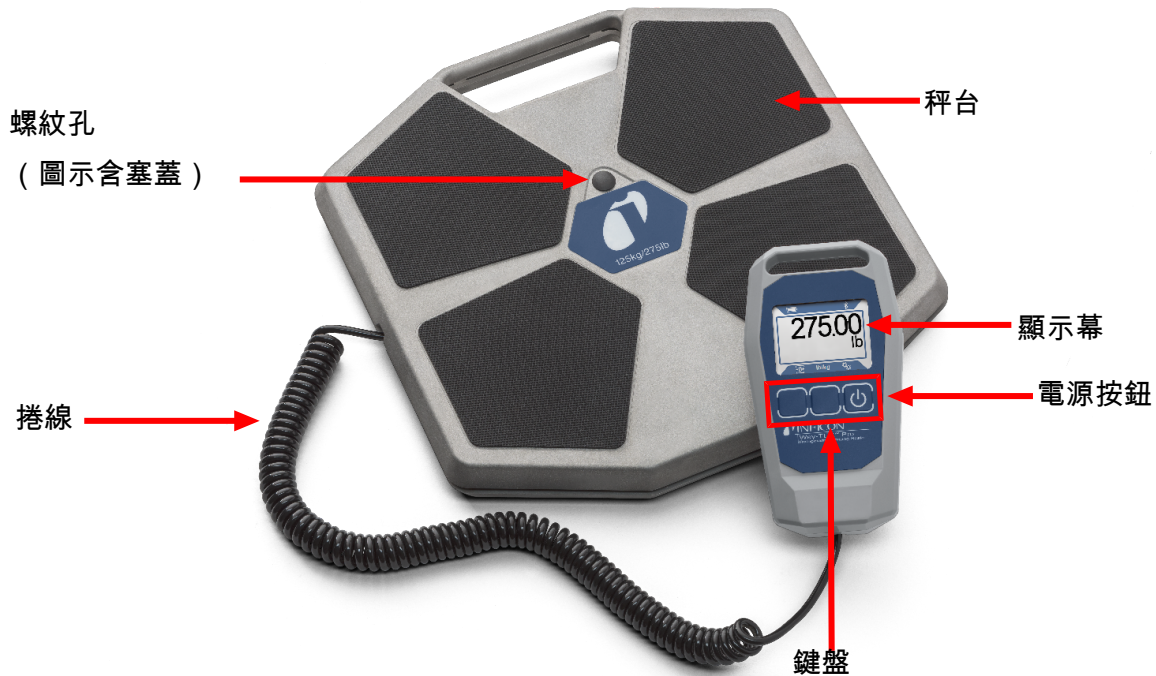
## 3 規格

用途	室內或戶外
可量秤重量	125公斤 (275磅)
準確度	±0.06 讀數或 ±3 克 (0.1 盎司) (以較大者為準)
顯示幕解析度	(±3克 (0.1盎司))
操作溫度	-18至50 °C (0至122 °F) *
存放溫度	-30至80 °C (-22至176 °F)
濕度	45°C (113°F) 時為85% RH，無凝結
高度	2000公尺 (6500英尺)
電源供應	3個AA鹼性電池
電池壽命	依亮度設定而異 未降低亮度：約30小時 一律降低亮度：約150小時
異物防護等級	IP44
污染程度	3
過電壓類別	II
重量 (含電池)	6.35磅 (2880克)
秤台尺寸 (長 x 寬 x 高)	29.1 x 29.1 x 3.7公分 (11.5 x 11.5 x 1.5吋)
捲線長度	未拉伸時約19.8吋 (50.3公分) 拉伸時約103吋 (262公分)

\*應限制在 0°C 以下使用。在低於 -10° C 的溫度下，準確度可能會有所不同。

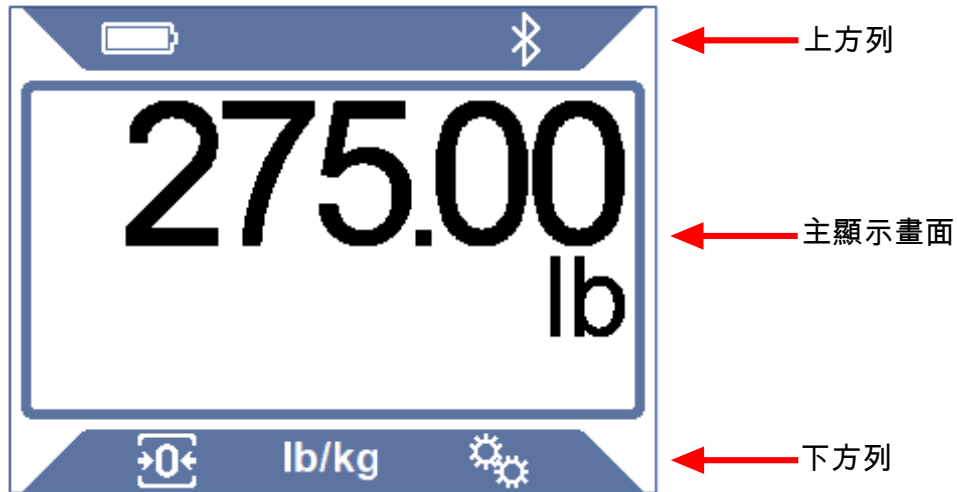
## 4 Wey-TEK Pro

Wey-TEK Pro是一款專為HVAC/R應用而設計的高精確度磅秤，用於回收或充填空調或制冷系統時量秤冷媒。這款磅秤可以搭配隨附的手持介面使用，或是搭配免費下載的應用程式以電話或平板操作。



## 5 螢幕配置與符號

Wey-TEK Pro以顯示幕呈現所有指示與資訊。顯示幕有一個上方列、主顯示畫面及一個下方列。



上方列：上方列會顯示電池符號與藍牙狀態。

符號	說明
	電池電量為75-100%
	電池電量為50-74%
	電池電量為30-49%
	電池電量為10-29%
	電池電量極低，<10%
	藍牙已開啟
	已連接藍牙裝置

**主顯示畫面：**主顯示畫面會顯示目前畫面的相關資訊。Wey-TEK Pro啟動後會自動進入首頁畫面，其中包含目前重量與單位。也會顯示與正在進行中的警報或記錄有關的指示。

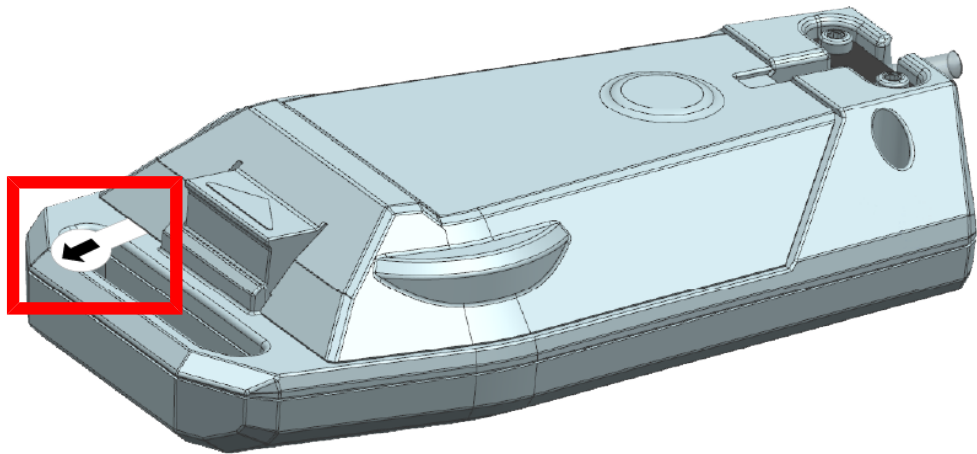
**下方列：**下方列會顯示三個鍵盤按鈕功能的選項。功能會依照目前畫面的內容與選項而異。以下表格示意不同圖示及其對應功能。

符號	說明
	重量歸零／設定容器重
lb/kg	切換顯示單位 (lb/oz、lb、oz、kg、g)
	進入設定功能表
	移至下一個選項
	醒目提示下一個可用設定
	增加醒目提示的位數
	將游標移至下一個位數；按住可將設定點歸零
	進入選取的設定功能表或子功能表；接受並儲存設定變更；接受完成的警報；啟動警報
	取消變更；取消警報
	回到首頁畫面
	暫停目前的警報
	復原目前暫停的警報

## 6 操作

### 6.1 開始使用

Wey-TEK Pro使用已預先安裝的三個AA鹼性電池供電。首次啟動Wey-TEK Pro前必須先移除手持介面電池艙中的電池絕緣片。確實抓住絕緣片並朝向手持介面上方拉出即可取出絕緣片。



### 6.2 啟動儀器／使用前的準備

按住電源按鈕（手持介面最右邊的按鈕）

開啟或關閉Wey-TEK Pro。Wey-TEK Pro啟動時會短暫顯示韌體版本，然後進入首頁畫面。

#### 提示

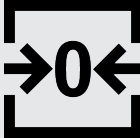

若螢幕未亮起，表示電池耗盡且需要更換。請參閱更換電池 [▶ 261]。

## 6.3 量秤 / 首頁畫面

Wey-TEK Pro 啟動後會自動進入首頁畫面並立刻即時顯示重量。將容器或其他物品放在秤台上量秤。若未設定警報，主顯示畫面下方將會顯示設定點。








在首頁畫面中，按下對應的鍵盤按鈕即可執行以下動作：

符號	說明
	重量歸零 / 設定容器重
lb/kg	切換顯示單位 (lb/oz、lb、oz、kg、g)
	進入設定功能表

## 6.4 設定功能表

在設定功能表中使用鍵盤選擇並進入特定功能的設定。目前選取的子功能表會以深藍色醒目提示。



符號	說明
	警報設定功能表 – 依據重量設定警報
lb/kg	單位設定功能表 – 變更顯示單位
	藍牙設定功能表 – 啟用或停用藍牙
	降低螢幕亮度設定功能表 – 選擇是否降低顯示幕的亮度以延長電池使用時間
	自動關機設定功能表 – 選擇是否在設定的時間後自動關閉磅秤
	資訊/關於菜單 – 顯示有關體重計的基本信息，包括固件版本、MAC 位址和 FCC 信息

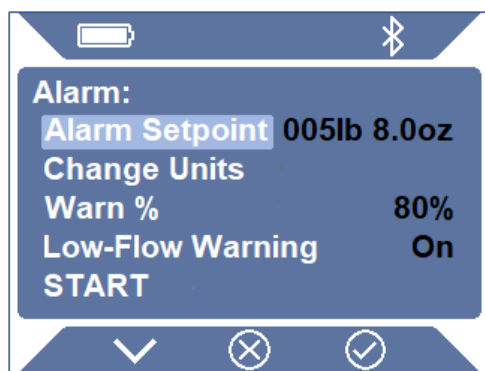


## 6.5 警報

Wey-TEK Pro可依據重量設定點設置警報。此功能可用於回收或充填冷媒。在警報設定功能表中可設定警報。

### 提示

Wey-TEK Pro手持介面並不具備音效警報功能。警報僅以視覺方式表示。如需音效警報，請下載Wey-TEK Pro應用程式。請參閱。



警報設定畫面會顯示目前警報相關設定，並可進入子功能表以編輯這些設定。

Alarm Setpoint (警報設定點)	選擇此功能表以變更設定點重量。
Change Units (變更單位)	用於變更單位。選項有lb/oz、lb、oz、kg或g 備註：變更單位會將警報設定點重設為零。
Warn % (警告百分比)	選擇重量接近警報設定點百分之多少時警告。選項有Disabled (停用)、70%、80%或90%。
Low-Flow Warning (低流量警告)	打開此設定會在兩分鐘內重量變化小於30克時警告。
START (啟動)	啟動警報。

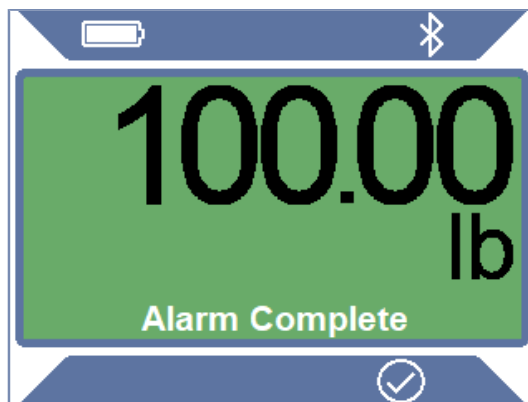


### 6.5.1 搭配警報操作

- 1 進入警報設定功能表。
- 2 設定警報參數。
- 3 選擇START（啟動）。Wey-TEK Pro會返回首頁，歸零並開始量秤。設定點會顯示在畫面下方附近。
- 4 警報完成後，畫面會閃爍綠色並顯示總共輸送的冷媒量。按下☑確認並清除警報。

#### 提示

要取消警報，可在警報出現時隨時按下 ⊗。



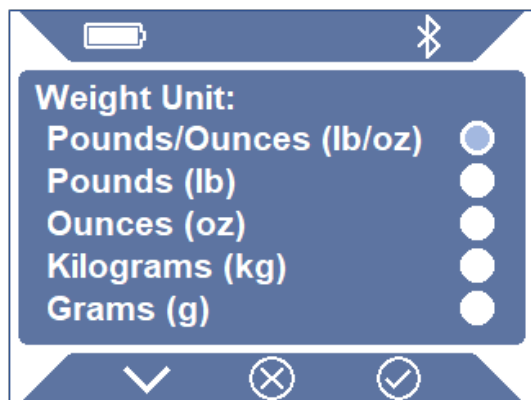
## 6.5.2 更換冷媒／回收鋼瓶

若已設定警報，但在充填／回收程序下需要更換鋼瓶：

- 1 關閉鋼瓶閥。磅秤需要一小段時間回復穩定。
- 2 按下⏸。
- 3 更換鋼瓶。
- 4 按下▶。Wey-TEK Pro會記憶輸送的重量並還原警報／記錄。
- 5 開啟新鋼瓶閥。

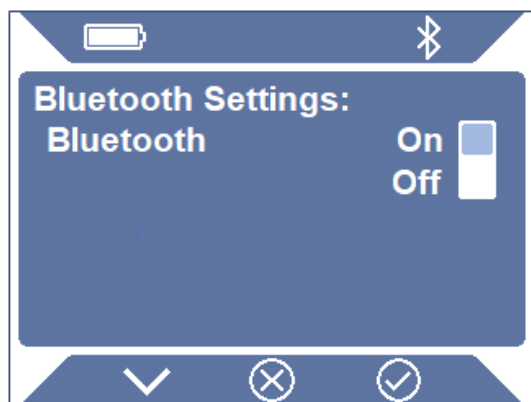
## 6.6 單位

單位功能表。在首頁畫面也能直接調整。顯示單位有lb/oz、lb、oz、kg、g。預設為lb/oz。



## 6.7 藍牙

藍牙功能表可用於啟啟用或停用藍牙。搭配行動應用程式時才需要使用藍牙。啟用藍牙後，在應用程式中可以與行動裝置配對。藍牙預設為開啟。



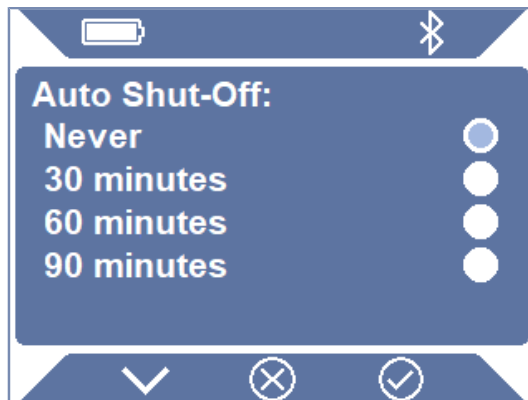
## 6.8 降低畫面亮度

在降低畫面亮度功能表中可設定一段時間過後降低畫面亮度以延長電池使用壽命。預設為1分鐘。



## 6.9 自動關機

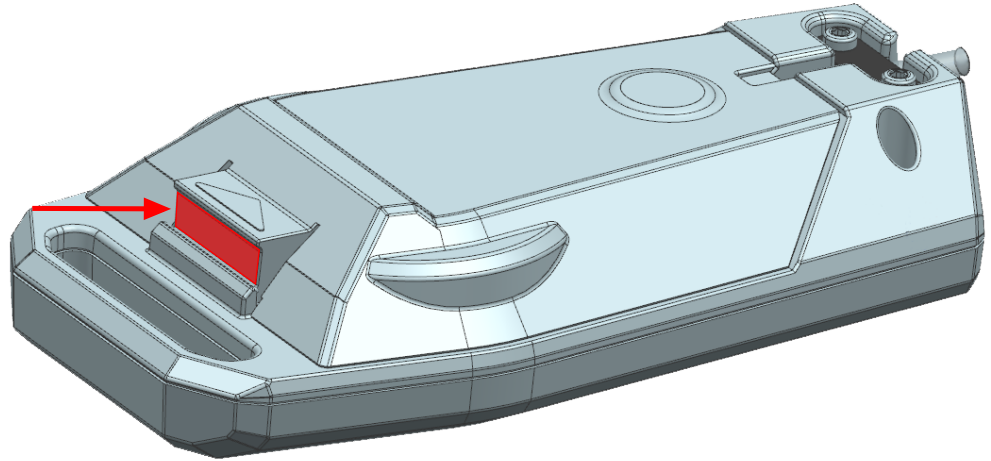
在自動關機功能表中可以變更Wey-TEK Pro自動關機的時間。計時器（不會顯示）會在按下任何按鈕或重量變動後重設。預設為Never（永不）。



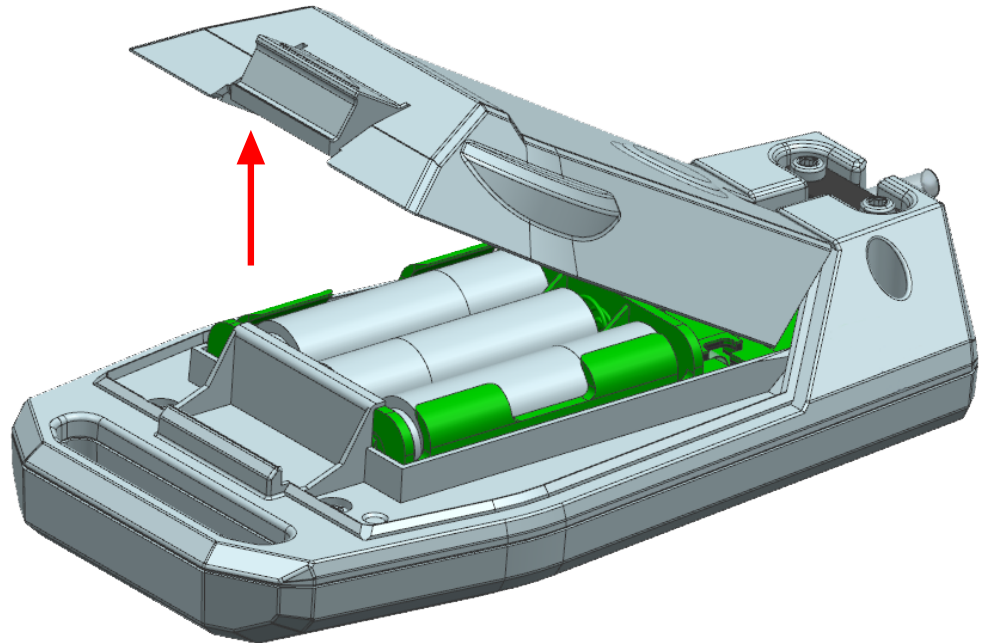
## 7 更換電池

Wey-TEK Pro使用三個AA鹼性電池供電。電池艙蓋位於手持介面的背面。

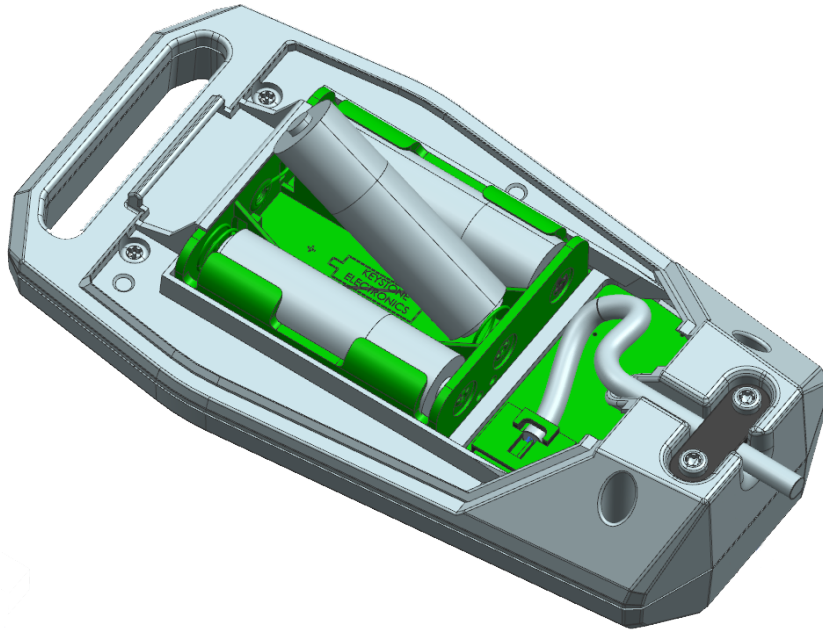
- 1 翻到手持介面的背面，依箭頭方向壓下電池艙蓋突起處下方的卡榫。



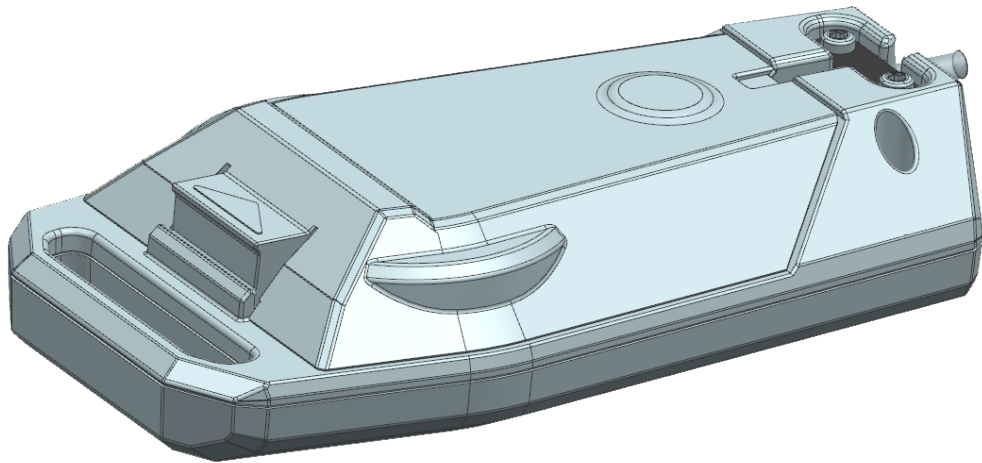
- 2 拆下電池艙蓋。



3 拆下舊電池並換上新電池。



4 裝回電池艙蓋。



請依據當地適用的規定處理廢棄的鹼性電池。若沒有相關規定，請透過民間回收站回收及／或處置。

## 8 應用程式

下載智慧型手機或平板專用免費Wey-TEK Pro應用程式以便使用更多功能。

Wey-TEK Pro應用程式可以：

- 使用與手持介面相同的功能
- 設定含有音效與視覺通知的警報
- 儲存與分享工作記錄，包含圖片與客戶資訊
- 更新Wey-TEK Pro韌體

### 提示

磅秤不需要在配對模式下即可與應用程式配對。

此應用程式可以在App Store®或Google Play™下載。



## 9 磁性繫帶

Wey-TEK Pro包含一條磁性繫帶，方便將手持介面掛起而無需手持。繫帶採用鉤扣結合，可穿過手持介面上的開口。運用磁力或纏繞的方式可將手持介面掛在水管或其他物品上。

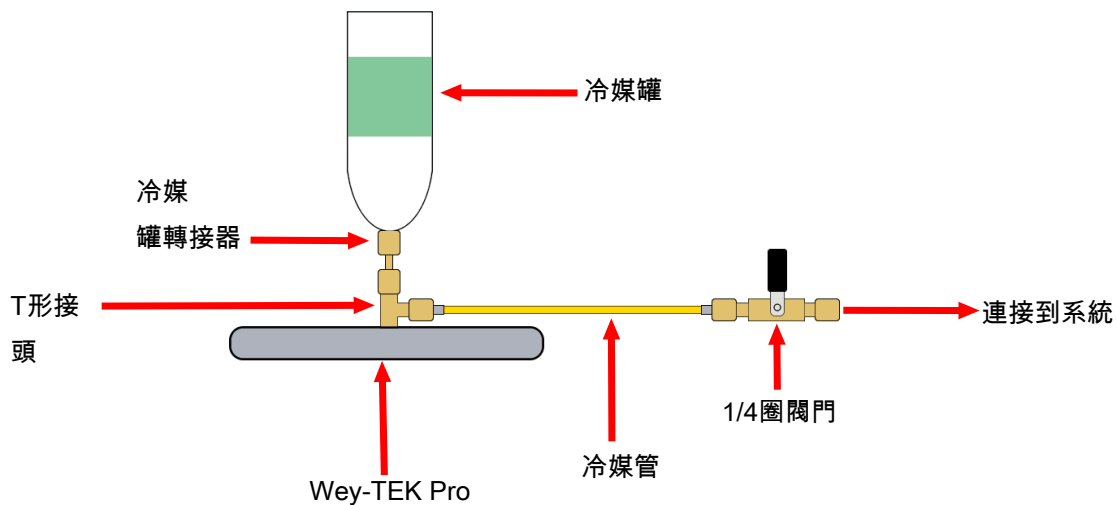


## 10 少量充填用接合器套件

少量充填用接合器套件（零件編號501-601-G1）是一款選用配件，讓A3可燃冷媒常用的小型冷媒罐能直接固定在磅秤上。這款套件能確實固定倒置的冷媒罐，方便充填。

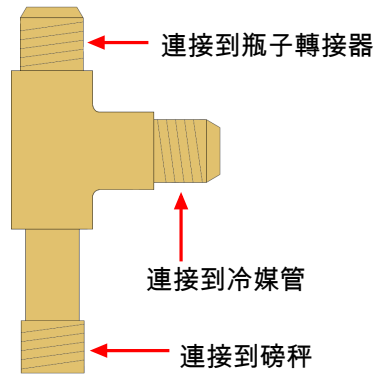
少量充填用接合器套件包含：

- 1/4 SAE公罐螺紋的T形配件
- 1/4圈閥門
- 18吋（457公釐）冷媒管，內徑2公釐
- CGA600母轉為7/16-28（EN417 Lindal）母罐轉接器
- 7/16-28（EN417 Lindal）母轉為1/4 SAE公罐轉接器
- 1/4 SAE 內螺紋至 1/4 SAE 內螺紋瓶轉接器



接合器套件的使用方式：

- 1 使用小的一字起子或類似的工具拆下秤台上的小塑膠塞。
- 2 將T形接頭旋至秤台上。



- 3 為冷媒罐持出適當的容器轉接器 並裝至T形接頭。
- 4 將冷媒管的一端接到T形接頭上，另一端接到1/4圈閥門。
- 5 將1/4圈閥門保持在關閉位置，將冷媒罐接到冷媒容器轉接器上。
- 6 將1/4圈閥門裝到系統上。
- 7 緩慢打開1/4圈閥門為系統充填。完成後關閉閥門。

### 提示

用手固定所有接頭。

## 11 清潔與存放

Wey-TEK Pro可用中性清潔劑或異丙醇清潔。請小心不要讓清潔劑進入手持介面內。請勿使用汽油、丙酮或其他刺激性溶劑，因其可能會損壞塑料或顯示幕。

### 提示

秤台以鋁製成，特定溶劑可能會造成色斑。

## 12 更換手持介面或捲線

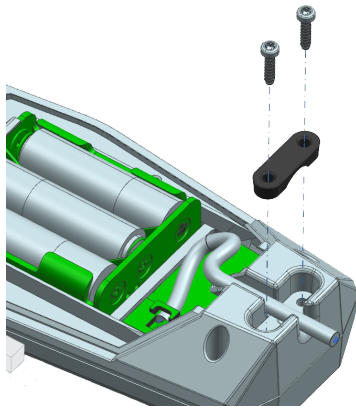
若手持介面或捲線損壞，手持介面（PN 501-701-G1）或秤台／捲線（PN 501-702-G1）均有零件可供替換。捲線與秤台的荷重元直接相連，無法單獨更換。



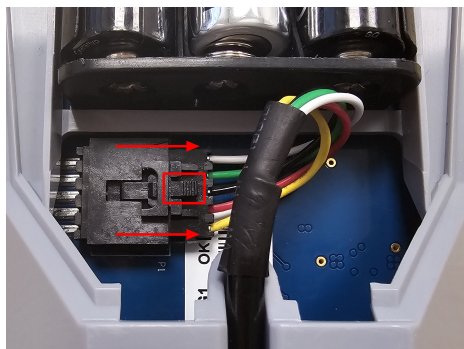
進行更換的操作人員建議接地以避免手持介面遭到靜電放電而損壞。

要更換手持介面或秤台／捲線：

- 1 關閉Wey-TEK Pro。
- 2 拆下手持介面的電池艙蓋。
- 3 使用T10星形螺絲起子拆下手持介面上的兩個螺絲。



- 4 拆下捲線支架。
- 5 將接頭卡榫向下壓並小心地從插座中拉出接頭。



- 6 更換手持介面或秤台／捲線並依照相反的順序裝回。

### 提示

不要將螺絲鎖的太緊。

## 13 替換用零件與配件

少量充填用接合器套件	501-601-G1
替換攜帶盒	501-700-G1
替換手持介面 (含磁性繫帶)	501-701-G1
替換秤台及纜線	501-702-G1
磁性繫帶	501-311-P1
替換電池艙蓋	501-308-P1

## 14 保固與責任限制

INFICON為您的儀器提供從購買日起算一或兩年（取決於地區）的材料或工藝瑕疵。

INFICON針對會在正常使用下老化的項目，含電池、感測器與過濾器等並不提供保固。

此外，INFICON對於儀器不當使用、疏於注意、意外或經非INFICON原廠維修或改造等情況不提供保固。INFICON責任僅限於在保固逾期後三十（30）天內，預付運費送回INFICON，且經INFICON判斷故障為因材料或工藝瑕疵所致的儀器。INFICON責任限於依其審酌，對瑕疵儀器或零件進行維修或更換。本保固取代其他所有明示或暗示、適售性或適用性等等保固。並明確排除其他此類保固。INFICON應負之責任不可超過支付給INFICON的儀器購買價格加上預付的運費。INFICON對於任何附帶或衍生損害一概不負責。所有這類責任均已排除。

# 目次

1 免責事項と著作権.....	272
2 注意事項と警告.....	273
3 仕様.....	274
4 Wey-TEK Pro.....	275
5 画面レイアウトとシンボル.....	276
6 操作.....	278
6.1 使用開始.....	278
6.2 Wey-TEK Proをオンにする／使用の準備を行う.....	278
6.3 重量測定／ホーム画面.....	279
6.4 設定メニュー.....	280
6.5 アラーム.....	281
6.5.1 アラーム作動を伴う操作.....	282
6.5.2 冷媒／回収シリンダーの交換.....	283
6.6 単位.....	283
6.7 Bluetooth.....	284
6.8 画面調光.....	284
6.9 自動シャットオフ.....	285
7 電池の交換.....	286
8 アプリ.....	288
9 マグネットストラップ.....	289
10 小型充填アダプターキット.....	290
11 清掃および保管.....	292
12 ハンドピースまたはコードの交換.....	293
13 交換部品およびアクセサリ.....	294
14 保証および免責事項.....	295

# 1 免責事項と著作権

## 免責事項

本書に含まれている情報は、正確で信頼できるものであると考えられますが、INFICONはその使用についての責任を負うものではなく、本製品の使用に関連して発生した特別の、偶発的な、または結果的な損害について、一切の責任を負いません。

製品の改良のため、予告なく仕様を変更することがあります。

## 著作権

©2024 全著作権所有。

本書のいかなる部分も、許可なく複製または改編を行うことは法律によって禁じられています。

Wey-TEKはINFICONの登録商標です。

Apple、Appleロゴ、およびiPhoneは、米国およびその他の国において登録されているApple Inc.の商標です。App Storeは、Apple Inc.のサービスマーク（役務商標）です。

Google PlayおよびGoogle Playロゴは、Google LLCの商標です。

Bluetooth®ワードマーク（文字商標）およびロゴは、Bluetooth SIG, Inc.が所有する登録商標であり、INFICONによるかかるマークの使用はライセンスに基づくものです。

その他の商標および商号は、それぞれの所有者に帰属します。



## 2 注意事項と警告

本書を使用する際には、各所に記載されている「注記」、「注意」、「警告」に注意してください。これらは、本書の目的に合わせて、それぞれ下記のように定義されています。



### ⚠ 警告

これらのメッセージに従わないと、負傷事故が発生する危険性があります。



### ⚠ 注意

これらのメッセージに従わないと、Wey-TEK Proのパフォーマンスが低下する可能性があります。



### ⚠ CAUTION

このマニュアルに記載されている情報に指定されていない方法で装置が使用されると、装置が提供する保護が損なわれる可能性があります。



Wey-TEK Proの効率を最大限引き出すのに役立つ関連情報。

本機器は、FCC規則Part 15に基づくクラスAデジタルデバイスの制限事項に適合していることが、試験により証明されています。これらの制限は、本機器を商業環境で運用する場合に、有害な干渉に対する適正な保護が得られるように制定されているものです。本機器は、無線周波数エネルギーを生成して使用しているため、その放射の可能性があり、取扱説明書に従って設置および使用しないと、無線通信に有害な干渉を引き起こす可能性があります。住宅地で本機器を操作すると、有害な干渉が発生する可能性があります。その場合、ユーザーは自費にて干渉を修正する必要があります。

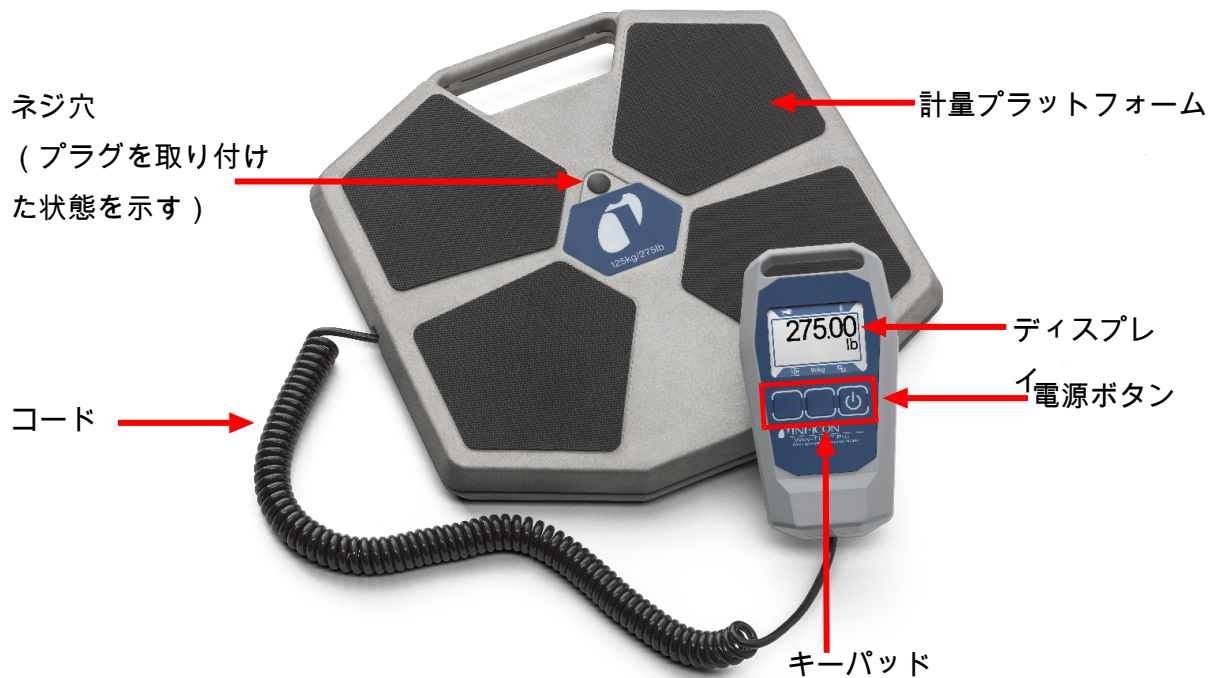
## 3 仕様

使用場所	屋内または屋外
測定可能最大重量	125 kg (275ポンド)
精度	測定値の±0.06%または±3g (0.1oz) のいずれか大きい方
ディスプレイ解像度	±3g (0.1オンス)
常用温度	-18~50°C (0~122°F) *
保管温度	-30~80°C (-22~176°F)
湿度	85% RH (45°C (113°F) 時)、結露なきこと
最大高度	2000 m (6500フィート)
電源	単三アルカリ乾電池3本
電池動作時間	調光設定による 調光なし：最大30時間 常に調光：最大150時間
保護	IP44
汚染度	3
過電圧カテゴリー	II
重量 (電池を含む)	6.35ポンド (2880 g)
プラットフォーム寸法 (L x W x H)	29.1 x 29.1 x 3.7 cm (11.5 x 11.5 x 1.5インチ)
コード長	最大19.8インチ (50.3 cm) コイル状 最大103インチ (262 cm) 伸ばした状態

\*0°C以下での使用は制限してください。-10°C以下の温度では精度が変化する場合があります。

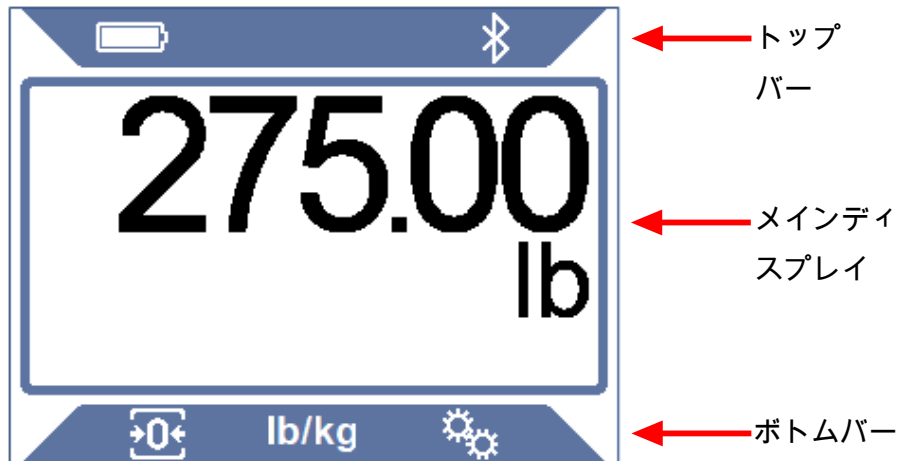
## 4 Wey-TEK Pro

Wey-TEK Proは、空調システムまたは冷凍システムの回収中または充填中に冷媒を計量するためにHVAC/R用途向けに設計された高精度スケールです。このスケールは、付属のハンドピースで使用することも、無料でダウンロードできるアプリを使用して携帯電話やタブレットで使用することもできます。



## 5 画面レイアウトとシンボル

Wey-TEK Proは、すべてのインジケータと情報を表示するディスプレイを使用しています。ディスプレイはトップバー、メインディスプレイ、およびボトムバーから構成されます。














**トップバー：**トップバーには、バッテリーの記号とBluetoothのステータスが表示されます。

記号	説明
	バッテリー充電 75～100%
	バッテリー充電 50～74%
	バッテリー充電 30～49%
	バッテリー充電 10～29%
	電池容量が非常に低く、10%未満
	Bluetoothがオン
	Bluetoothデバイスが接続されている

**メインディスプレイ：**メインディスプレイには現在の画面に関連する情報が表示されます。Wey-TEK Proはホーム画面で起動し、現在の重量と単位が表示されます。アラームまたはログが処理中の場合は、関連するインジケータも表示されます。

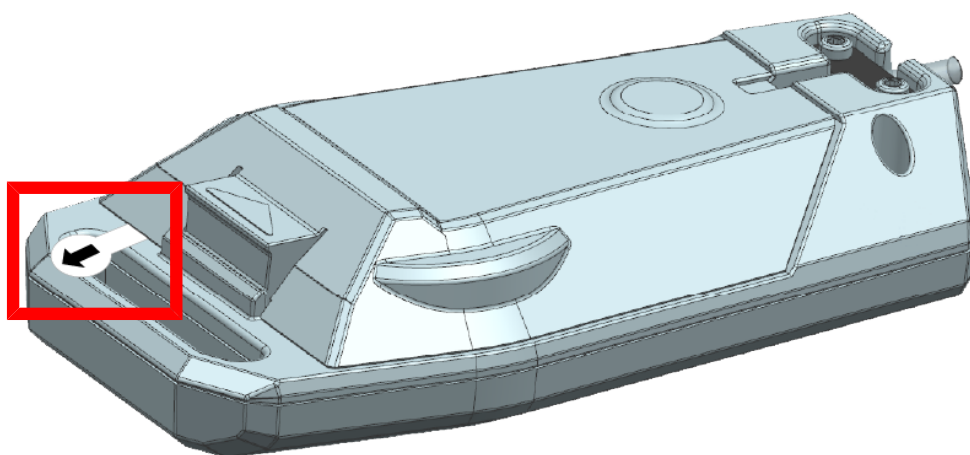
**ボトムバー**：ボトムバーには、3つのキーパッド機能のオプションが表示されます。現在の画面や選択内容に応じて機能が変わります。以下の表は、さまざまなアイコンとそれぞれの機能を示しています。

記号	説明
	重量をゼロにする／風袋引きする
lb/kg	表示単位を切り替える (lb/oz、lb、oz、kg、g)
	設定メニューに移動する
	オプションを下にスクロールする
	利用可能な次の設定を強調表示する
	強調表示されている数字をより大きな値にする
	カーソルを次の数字に移動する、長押しするとセットポイントがゼロにリセットされる
	選択した設定メニューまたはサブメニューに移動、設定変更を受け入れて保存する、完了したアラームを受け入れる、アラームを開始する
	変更をキャンセルする、アラームをキャンセルする
	ホーム画面に戻る
	現在のアラームを一時停止する
	現在一時停止しているアラームを再開する

## 6 操作

### 6.1 使用開始

Wey-TEK Proは、挿入済みの単三アルカリ電池3本で動作します。Wey-TEK Proの電源を初めて入れる前に、ハンドピースの電池収納部から電池絶縁ストリップを取り外してください。絶縁ストリップをしっかりと握り、ハンドピースの上部に向かって引いて取り外します。



### 6.2 Wey-TEK Proをオンにする／使用の準備を行う

電源ボタン（ハンドピースの右端のボタン）を長押しすると、Wey-TEK Proの電源がオンまたはオフになります。Wey-TEK Proは起動時にファームウェアのバージョンを短時間表示し、その後ホーム画面に進みます。

#### 注記

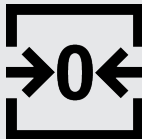

画面が表示されない場合は電池が切れています、電池の交換が必要です。「電池の交換 [▶ 286]」を参照してください。

## 6.3 重量測定／ホーム画面

Wey-TEK Proはホーム画面で自動的に起動し、すぐにリアルタイムで重量を表示します。タンクやその他の物体を計量プラットフォーム上に置き、重量を測定します。アラームが設定されている場合、メインディスプレイの下部に設定値が表示されます。








ホーム画面で、キーパッドの対応するボタンを押して、次の操作を実行します。

記号	説明
	重量をゼロにする／風袋引きする
lb/kg	表示単位を切り替える（ポンド／オンス、ポンド、オンス、キログラム、グラム）
	設定メニューに移動する

## 6.4 設定メニュー

設定メニューのキーパッドを使用して、特定の機能の設定を選択して入力します。現在選択されているサブメニューは濃い青で強調表示されます。



記号	説明
	アラーム設定メニュー - 重量に基づいてアラームを設定する
<b>lb/kg</b>	単位設定メニュー - 表示単位の変更
	Bluetooth設定メニュー - Bluetoothを有効/無効にする
	画面調光設定メニュー - 電池寿命を節約するためにディスプレイを暗くするかどうかを選択する
	自動シャットオフ設定メニュー - 設定した時間が経過した後にスケールを自動的にシャットオフするかどうかを選択する
	情報/バージョン情報メニュー - ファームウェアのバージョン、MAC アドレス、FCC 情報など、体重計に関する基本情報を表示します。

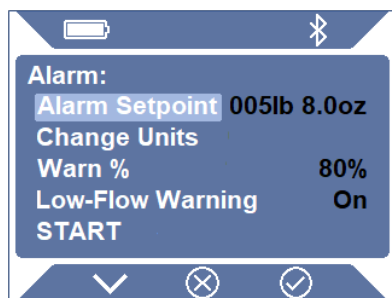


## 6.5 アラーム

Wey-TEK Proは、重量設定値に基づいてアラームを設定できます。これは冷媒の回収や充填の際に使用できます。アラームはアラーム設定メニューで設定します。

### 注記

Wey-TEK Proのハンドピースには可聴アラームがありません。アラームは視覚的な表示のみです。アラーム音を鳴らしたい場合は、Wey-TEK Proアプリをダウンロードしてください。「」を参照してください。



アラーム設定画面には現在のアラーム関連の設定が表示されます。これらの設定は、サブメニューを選択して編集できます。

アラーム設定値	重量設定値を変更するには、このメニューを選択します。
単位の変更	単位を変更できます。オプション： <b>ポンド／オンス、ポンド、オンス、キログラム、グラム</b> 。 注記：単位を変更すると、アラーム設定値がゼロにリセットされます。 
警告 %	アラームを発する重量に近づいていることを警告するため、アラーム設定値のパーセンテージを選択します。オプション： <b>無効、70%、80%、90%</b>
低流量警告	この設定をオンにすると、2分間で重量の変化が30 g未満になった場合に視覚的に警告します。
START	アラームを開始します。

### 6.5.1 アラーム作動を伴う操作

- 1 アラーム設定メニューに移動します。
- 2 アラームパラメーターを設定します。
- 3 「START」を選択します。Wey-TEK Proはホーム画面に戻ってゼロになり、計量を開始します。設定値は画面の下部近くに表示されます。
- 4 アラームが完了すると、画面が緑に点滅し、移送された冷媒の総量が表示されます。✔を押すと、アラームが承認され、クリアされます。



#### 注記

アラームをキャンセルするには、アラーム中にいつでも ⊗ を押してください。



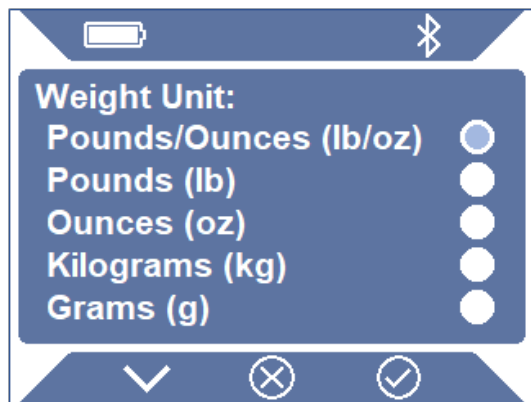
## 6.5.2 冷媒／回収シリンダーの交換

アラームが設定されており、充填／回収プロセス中にシリンダーの交換が必要な場合：

- 1 シリンダーバルブを閉じます。スケールが安定するまでに少し時間がかかる場合があります。
- 2 を押します。
- 3 シリンダーを交換します。
- 4 を押します。Wey-TEK Proは移送された重量を記憶し、アラーム／ログを再開します。
- 5 新しいシリンダーバルブを開きます。

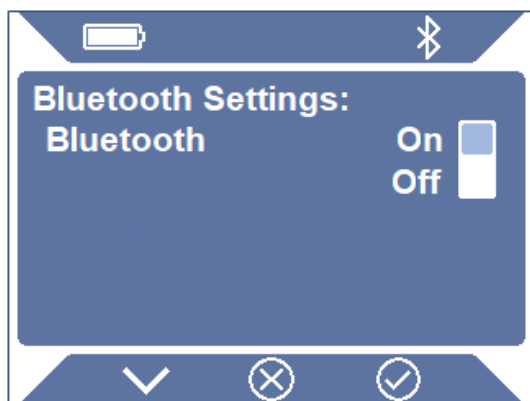
## 6.6 単位

単位メニューでは、表示される単位を設定できます。これはホーム画面でも実行できます。単位はポンド／オンス、ポンド、オンス、キログラム、グラムで表示できます。デフォルトはポンド／オンスです。



## 6.7 Bluetooth

Bluetoothメニューでは、Bluetoothを有効または無効にすることができます。Bluetoothはモバイルアプリを使用する場合にのみ必要です。Bluetoothを有効にすると、モバイルデバイスをアプリでペアリングできます。Bluetoothのデフォルト設定はオンです。



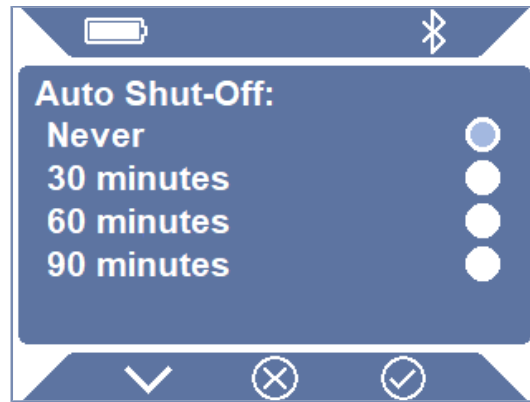
## 6.8 画面調光

画面調光メニューで設定を行うと、設定した時間が経過したら画面の明るさを落とすことで電池の消費を抑えることができます。デフォルト設定は1分です。



## 6.9 自動シャットオフ

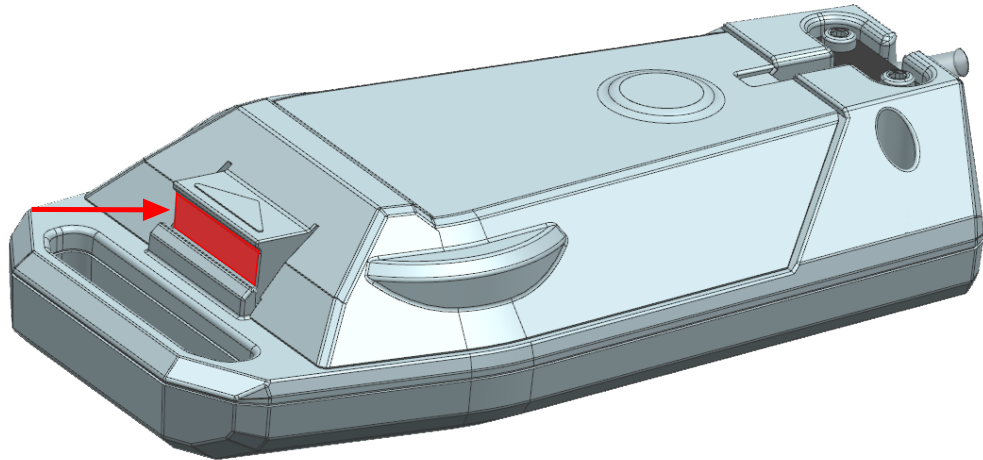
自動シャットオフメニューでは、Wey-TEK Proが自動的にオフになるまでの時間を変更できます。タイマー（表示されていません）は、いずれかのボタンを押すか重量を変更するとリセットされます。デフォルト設定は「なし」です。



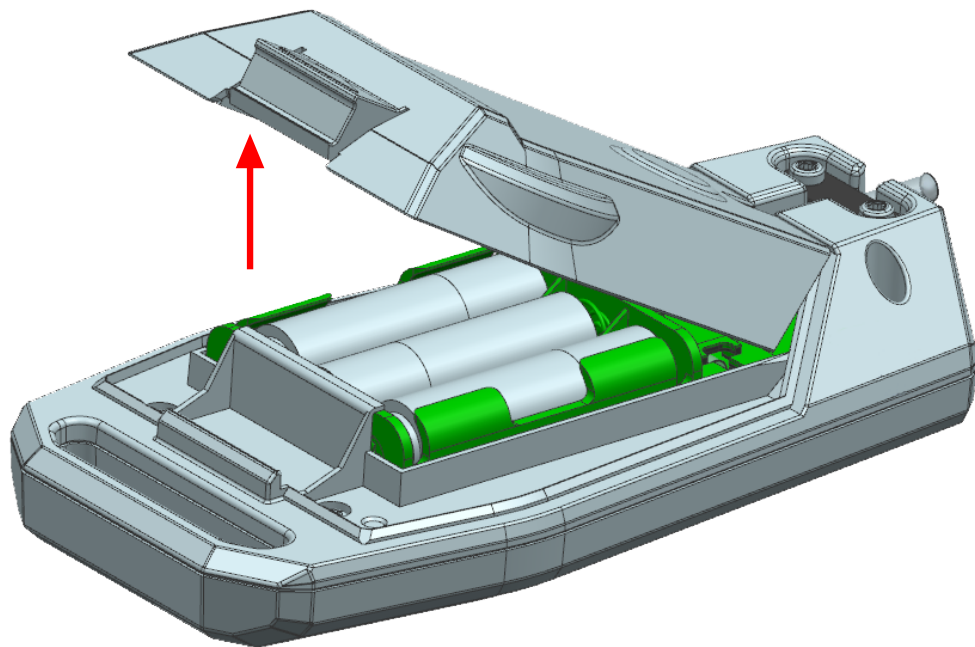
## 7 電池の交換

Wey-TEK Proは、3本の単三アルカリ電池で動作します。電池収納部の蓋は、ハンドピースの背面にあります。

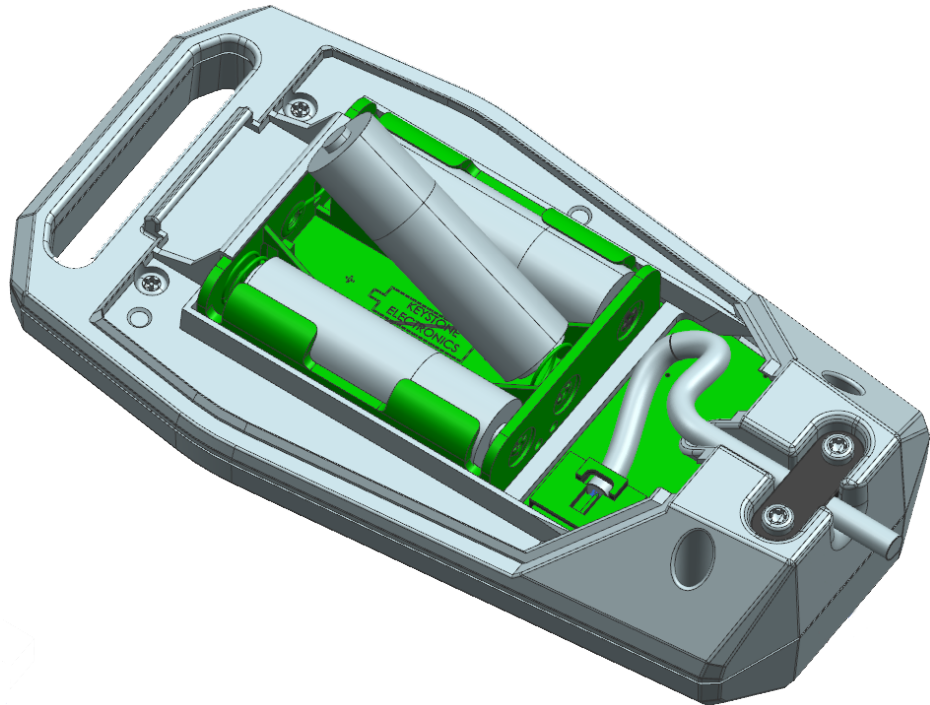
- 1 ハンドピースを裏返し、縁部の下にある電池収納部の蓋のラッチを矢印の方向に押します。



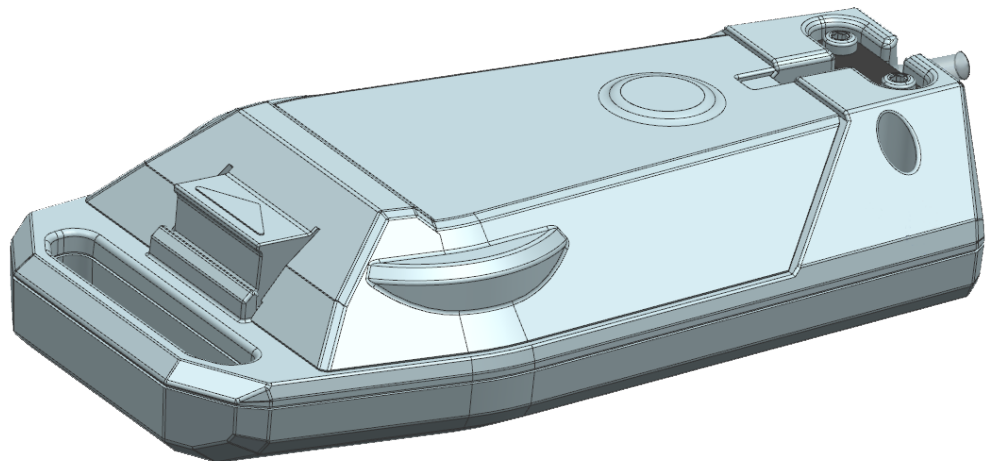
- 2 電池収納部の蓋を取り外します。



3 使用済みの電池を取り外し、新しい電池に交換します。



4 電池収納部の蓋を元通りに取り付けます。



使用済みのアルカリ電池は、ご使用の地域に適用される法律に従って処分してください。そのような法律がない場合には、電池は業界団体などが定めた自主リサイクル規定に従ってリサイクルおよび／または廃棄してください。

## 8 アプリ

追加機能を利用するには、スマートフォンまたはタブレットに無料のWey-TEK Proアプリをダウンロードしてください。

Wey-TEK Proアプリを使用すると、次のことが可能になります：

- ハンドピースと同じ機能へのアクセス
- 音響および視覚通知アラームの設定
- 写真や顧客情報などを含むジョブログの保存および共有
- Wey-TEK Proファームウェアの更新

### 注記

アプリとのペアリングのためにスケールをペアリングモードにする必要はありません。

このアプリは、App Store®またはGoogle Play™からダウンロードできます。





## 9 マグネットストラップ

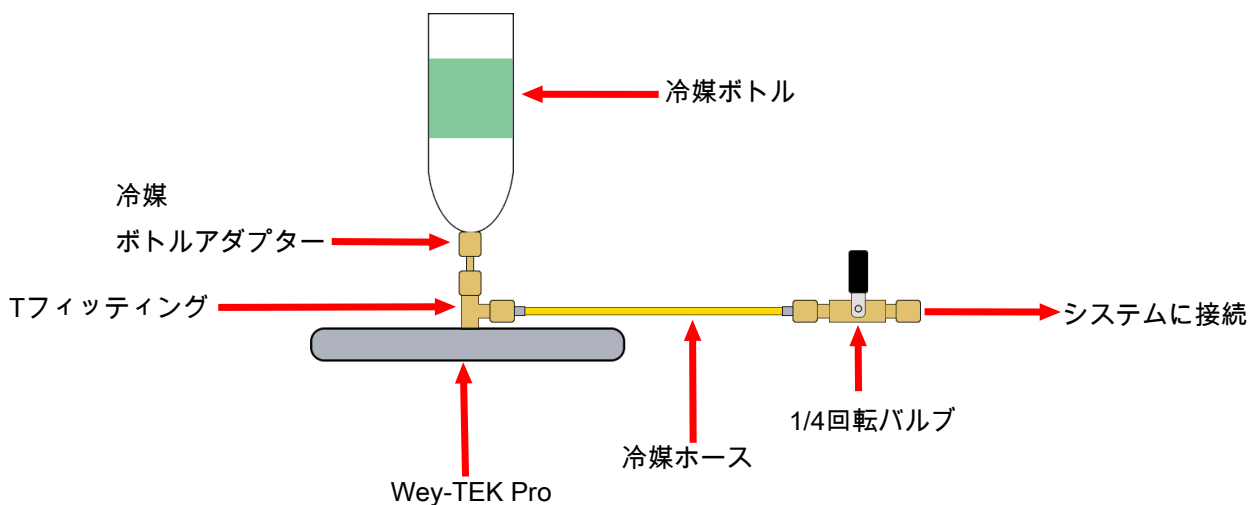
Wey-TEK Proには、ハンズフリーで使用できるようにハンドピースを吊り下げるためのマグネットストラップが付属しています。ストラップは、フックとループクローザーを使用してハンドピースのスロットに通します。マグネットを使用するか、ストラップをパイプやその他の物体に巻き付けてハンドピースを吊るします。

## 10 小型充填アダプターキット

小型充填アダプターキット（部品番号：501-601-G1）は、A3可燃性冷媒に共通の小型冷媒ボトルをスケールに取り付けるための付属品（オプション）です。これにより、ボトルをしっかりと逆さまの状態に保つことができ、冷媒の充填が容易になります。

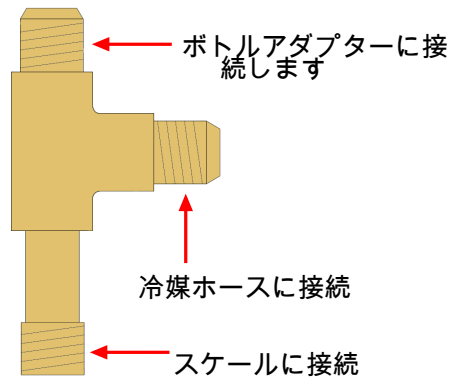
小型充填アダプターキット：

- 1/4 SAEオスボトルねじ付きTフィッティング
- 1/4回転バルブ
- 18インチ（457 mm）冷媒ホース（内径2 mm）
- CGA600メス、7/16-28（EN417 Lindal）メスボトルアダプターへの接続
- 7/16-28（EN417 1/4 Lindal）メス、1/4 SAEオスボトルアダプターへの接続
- 1/4 SAEメス - 1/4 SAEメスボトルアダプター



アダプターキットを使用するには：

- 1 小型のマイナスドライバーまたは類似の工具を使用して、計量プラットフォームから小さなプラスチックプラグを取り外します。
- 2 Tフィッティングを計量プラットフォームにねじ込みます。



- 3 冷媒ボトルに適したタンクアダプターを選択し、Tフィッティングに取り付けます。
- 4 冷媒ホースの一方の端をTフィッティングに取り付け、もう一方の端を1/4回転バルブに取り付けます。
- 5 1/4回転バルブを閉じた状態で、冷媒ボトルを冷媒タンクアダプターに取り付けます。
- 6 1/4回転バルブをシステムに取り付けます。
- 7 1/4回転バルブをゆっくり開き、システムに冷媒を充填します。完了したらバルブを閉じます。

## 注記

すべてのフィッティングを手で締めます。

## 11 清掃および保管

Wey-TEK Proは中性洗剤またはイソプロピルアルコールを使用して清掃することができます。ハンドピースに洗剤が入り込まないように注意してください。ガソリン、アセトン、または他の作用の強い溶剤は使用しないでください。プラスチック部やディスプレイに損傷を与える可能性があるからです。

### 注記

プラットフォームはアルミニウム製であり、特定の溶剤で汚れる可能性があります。

## 12 ハンドピースまたはコードの交換

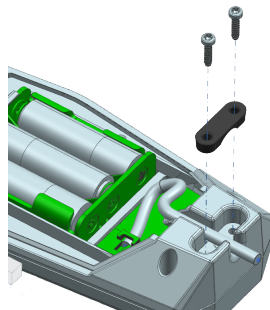
ハンドピースまたはコードが損傷した場合は、ハンドピース（PN 501-701-G1）またはプラットフォーム／コードアセンブリ（PN 501-702-G1）のいずれかを交換できます。コードはプラットフォーム内のロードセルに配線されているため、一緒に交換する必要があります。



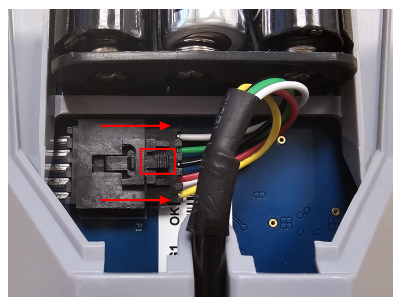
ハンドピースへの静電気による損傷を防ぐため、交換を行う前にご自身をアースすることをお勧めします。

ハンドピースまたはプラットフォーム／コードを交換するには：

- 1 Wey-TEK Proをオフにします。
- 2 ハンドピースから電池収納部の蓋を取り外します。
- 3 T10スタードライバーを使用して、ハンドピースの2本のネジを外します。



- 4 コードサポートを取り外します。
- 5 コネクターのロックを押し下げて、ソケットからコネクタを慎重に引き出します。



- 6 ハンドピースまたはプラットフォーム／コードアセンブリのどちらかを交換し、逆の順序で再度組み立てます。

### 注記

ネジを締め付けすぎないでください。

## 13 交換部品およびアクセサリ

小型充填アダプターキット	501-601-G1
交換用キャリングケース	501-700-G1
交換用ハンドピース（マグネットストラップ付き）	501-701-G1
交換用計量プラットフォーム（ケーブル付き）	501-702-G1
マグネットストラップ	501-311-P1
交換用電池収納部の蓋	501-308-P1

## 14 保証および免責事項

INFICONは、購入いただいた装置が、ご購入日より起算して1年または2年（地域により異なります）の間、材料あるいは製造に起因する瑕疵のないことを保証します。

INFICONは、電池、センサー、およびフィルターを含む通常の使用において劣化する部品については保証しません。加えてINFICONは、誤用された装置、規定事項を無視して使用された装置、事故の対象となった装置、INFICON以外の者による修理あるいは変更を受けた装置についても保証いたしません。INFICONの責任は、保証期限終了の後30日を経過することなく適切な輸送方法でINFICONに返送され、INFICONが材料あるいは製造に起因して故障したと判定した装置に限られます。INFICONの責任は、故障装置あるいは部品のINFICONの選択による修理あるいは交換に限られます。本保証は、商品性または特定の目的への適合性またはその他の適合性を問わず、他のすべての保証、言明あるいは示唆に代わり適用されるものです。本保障以外のそのようないかなる保証も無効です。INFICONは、本装置に対してINFICONに支払われた価格とお客様が立て替えられた返送費を超過しての責任を負いません。INFICONは、いかなる附帯的または派生的な損傷に対しても責任を負いません。そのような責任はすべて排除されます。

# 목차

<b>1</b>	<b>면책 조항 및 저작권</b>	<b>297</b>
<b>2</b>	<b>주의 및 경고</b>	<b>298</b>
<b>3</b>	<b>사양</b>	<b>299</b>
<b>4</b>	<b>Wey-TEK Pro</b>	<b>300</b>
<b>5</b>	<b>화면 레이아웃 및 기호</b>	<b>301</b>
<b>6</b>	<b>작동</b>	<b>303</b>
6.1	시작하기	303
6.2	기기 켜기/사용 준비	303
6.3	계량/홀 화면	304
6.4	설정 메뉴	305
6.5	알람	306
6.5.1	알람 사용	307
6.5.2	냉매 교체/복구 실린더	308
6.6	단위	308
6.7	Bluetooth	309
6.8	화면 감광 기능	309
6.9	자동 꺼짐	310
<b>7</b>	<b>배터리 교체</b>	<b>311</b>
<b>8</b>	<b>앱</b>	<b>313</b>
<b>9</b>	<b>자석 스트랩</b>	<b>314</b>
<b>10</b>	<b>소용량 어댑터 키트</b>	<b>315</b>
<b>11</b>	<b>세척 및 보관</b>	<b>317</b>
<b>12</b>	<b>핸드피스 또는 코드 교체</b>	<b>318</b>
<b>13</b>	<b>교체 부품 및 액세서리</b>	<b>319</b>
<b>14</b>	<b>보증 및 면책사항</b>	<b>320</b>



# 1 면책 조항 및 저작권

## 면책 조항

본 매뉴얼은 정확하며 신뢰할 수 있는 정보를 바탕으로 작성되었습니다. 하지만 INFICON은 해당 정보의 사용에 대해 책임을 지지 않으며 본 제품의 사용과 관련된 어떠한 특별 손해, 부수적 손해 또는 결과적 손해에 대해 책임지지 않습니다.

지속적인 제품 개선으로 인해 별도의 고지 없이 사양이 변경될 수 있습니다.

## 저작권

©2024 All rights reserved.

본 문서의 일부를 허가 없이 복제 또는 개작하는 것은 불법입니다.

Wey-TEK는 INFICON의 등록 상표입니다.

Apple, Apple 로고, iPhone은 미국 및 기타 국가에서 등록된 Apple Inc.의 상표입니다. App Store는 Apple Inc.의 서비스 마크입니다.

Google Play 및 Google Play 로고는 Google LLC의 상표입니다.

Bluetooth® 워드 마크와 로고는 Bluetooth SIG, Inc.에서 소유하는 등록 상표이며 INFICON은 취득한 라이선스에 따라 그러한 마크를 사용하고 있습니다.

기타 상표 및 상표명은 해당 소유자가 소유합니다.

## 2 주의 및 경고

본 매뉴얼을 참고할 때에는 본문에 나오는 참고, 주의사항, 경고 내용을 잘 확인하시기 바랍니다. 각 항목은 본 매뉴얼에 다음과 같이 정의되어 있습니다.



### ⚠ 경고

이 메시지를 준수하지 않을 경우 부상을 입을 수 있습니다.



### ⚠ 주의

이 메시지를 준수하지 않을 경우 Wey-TEK Pro 성능이 저하될 수 있습니다.



### ⚠ CAUTION

본 설명서에 포함된 정보에 지정되지 않은 방식으로 장비를 사용하는 경우 장비의 보호 기능이 손상될 수 있습니다.



준수 시 Wey-TEK Pro의 효율성을 극대화할 수 있는 유용한 관련 정보입니다.

본 장비는 FCC 규칙 15부에 따라 테스트를 거쳤으며, Class A 디지털 장치에 적용되는 한도를 초과하지 않음을 검증받았습니다. 이러한 한도는 상업 환경에서 장비를 작동할 때 유해한 간섭으로부터 적절히 보호하기 위해 정해진 것입니다. 본 장비는 무선 주파수 에너지를 생성, 사용, 방사할 수 있으며, 지침 매뉴얼에 따라 설치 및 사용하지 않을 경우 무선 통신을 방해하는 간섭을 일으킬 수 있습니다. 본 장비를 주거 지역에서 작동할 경우 방해 전파가 발생할 가능성이 높으며, 그럴 경우 간섭 해결 비용은 사용자 부담입니다.

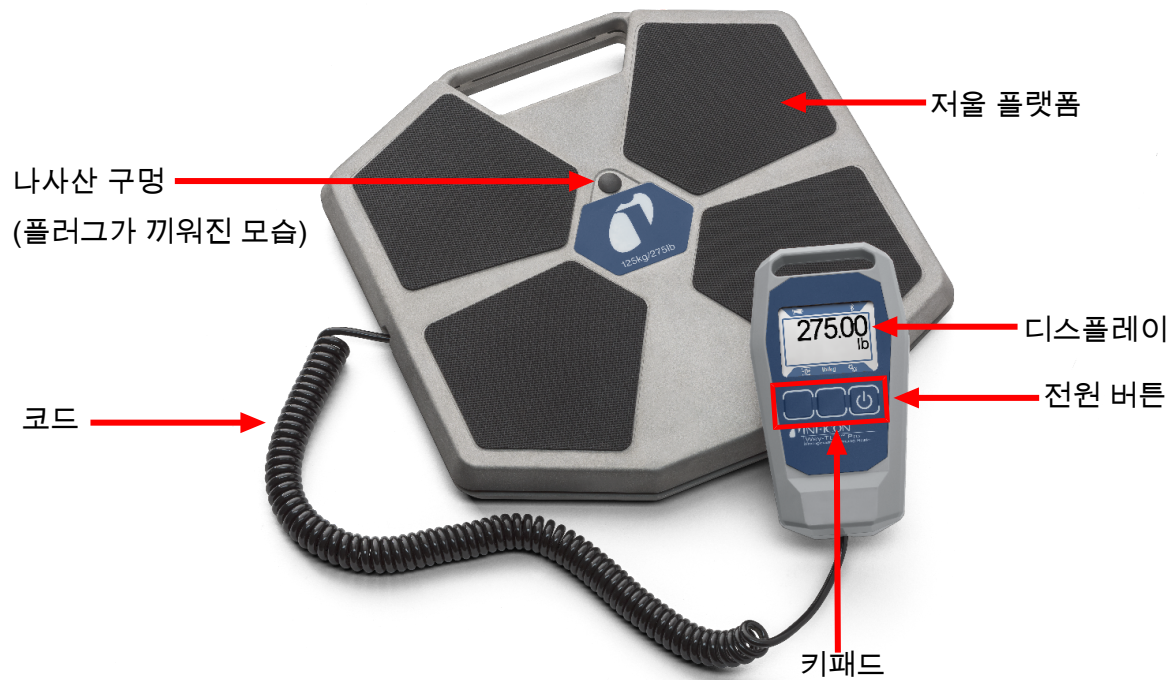
## 3 사양

용도	실내/실외
중량 용량	125 kg (275 lb.)
정확도	판독값의 $\pm 0.06\%$ 또는 $\pm 3g(0.1oz)$ (둘 중 더 큰 값)
디스플레이 분해능	$\pm 3 g (0.1 oz)$
작동 온도	$-18 \sim 50^{\circ}C (0 \sim 122^{\circ}F)^*$
보관 온도	$-30 \sim 80^{\circ}C (-22 \sim 176^{\circ}F)$
습도	$45^{\circ}C (113^{\circ}F)$ 에서 85% RH, 비응결
고도	2000 m (6500 ft.)
전원	3 AA 알카라인 배터리
배터리 사용 시간	디밍 설정에 따라 다름 감광 기능 미사용 시: 최대 30시간 이하 항상 감광 기능 사용 시: 최대 150시간 이하
IP 방수/방진 등급	IP44
오염 등급	3
과전압 범주	II
중량(배터리 포함)	6.35 lb. (2880 g)
플랫폼 치수(L x W x H)	29.1 x 29.1 x 3.7 cm (11.5 x 11.5 x 1.5 in.)
코드 길이	최대 19.8 in. (50.3 cm) 코일형 최대 103 in. (262 cm) 펼쳤을 경우

\* $0^{\circ}C$  이하에서는 사용을 제한해야 합니다. 정확도는  $-10^{\circ}C$  이하의 온도에서는 달라질 수 있습니다.

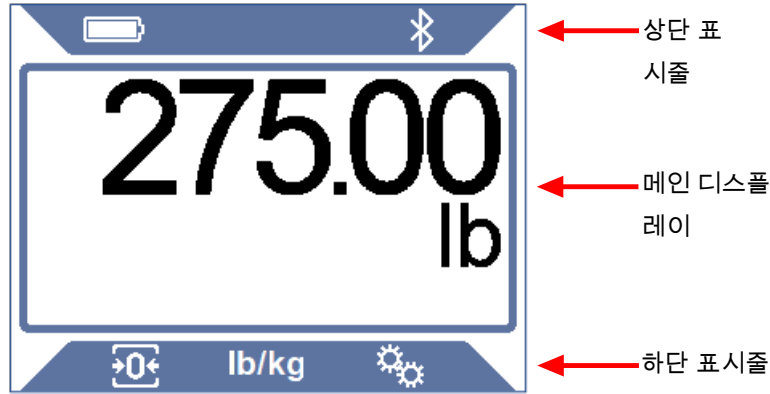
## 4 Wey-TEK Pro

Wey-TEK Pro는 HVAC/R 부문에서 AC 또는 냉매 시스템을 복구 또는 충전하는 동안 냉매의 무게를 계량하기 위해 설계된 정밀 저울입니다. 이 저울은 부착된 핸드피스와 함께 사용하거나 앱(무료 다운로드 가능)을 통해 휴대폰 또는 태블릿과 함께 사용할 수 있습니다.



## 5 화면 레이아웃 및 기호

Wey-TEK Pro는 디스플레이 화면에 모든 표시등과 정보를 표시합니다. 디스플레이는 상단 표시줄, 메인 디스플레이, 하단 표시줄로 구성되어 있습니다.

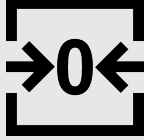












**상단 표시줄:** 상단 표시줄에는 배터리 기호와 Bluetooth 상태가 표시됩니다.

기호	설명
	배터리 충전량 75-100%
	배터리 충전량 50-74%
	배터리 충전량 30-49%
	배터리 충전량 10-29%
	배터리 충전량이 매우 낮음, <10%
	Bluetooth가 켜져 있음
	Bluetooth 장치가 연결되었음

**메인 디스플레이:** 메인 디스플레이에는 현재 화면과 관련된 정보가 표시됩니다. Wey-TEK Pro를 시작하면 현재 중량 및 단위가 표시되는 홈 화면이 나타납니다. 알람 또는 로그가 진행 중일 경우에는 관련 표시등도 표시됩니다.

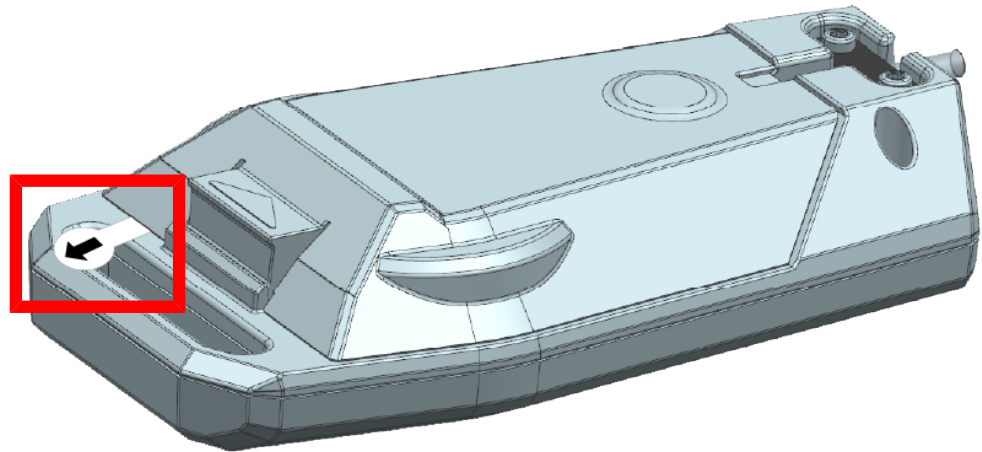
**하단 표시줄:** 하단 표시줄에는 세 가지 키패드 기능에 대한 옵션이 표시됩니다. 표시되는 기능은 현재 화면과 선택 항목에 따라 변경됩니다. 아래 표에서 각각의 기호 및 해당 기능을 확인할 수 있습니다.

기호	설명
	중량을 영점 조정합니다
lb/kg	표시 단위(lb/oz, lb, oz, kg, g)를 전환합니다
	설정 메뉴를 시작합니다
	옵션을 아래로 스크롤합니다
	가능한 다음 설정을 강조 표시합니다
	강조 표시된 숫자를 높입니다
	커서를 다음 자릿수로 이동합니다; 설정점을 0으로 리셋하려면 길게 누릅니다
	선택한 설정 메뉴 또는 하위 메뉴를 시작합니다. 설정 변경사항을 승인 및 저장합니다. 완료된 알람을 승인합니다. 알람을 시작합니다
	변경사항을 취소합니다; 알람을 취소합니다
	홈 화면으로 돌아갑니다
	현재 알람을 일시정지합니다
	현재 일시정지된 알람을 재개합니다

## 6 작동

### 6.1 시작하기

Wey-TEK Pro에는 AA 알카라인 배터리가 기본 탑재되어 있습니다. Wey-TEK Pro를 처음으로 켜기 전에 핸드피스의 배터리 보관함에서 배터리 절연 종이를 제거해야 합니다. 절연 종이를 단단히 잡고 핸드피스 상단 방향으로 빼내 제거하십시오.



### 6.2 기기 켜기/사용 준비

Wey-TEK Pro를 켜거나 끄려면 전원 버튼(핸드피스 오른쪽 끝 버튼)을 길게 누릅니다. Wey-TEK Pro가 시작되면 펌웨어 버전이 짧게 표시된 다음 홈 화면이 나타납니다.

#### 참조

화면이 켜지지 않을 경우 배터리가 방전된 것이며 교체가 필요합니다. 배터리 교체 [▶ 311]를 참조하십시오.

## 6.3 계량/홈 화면

Wey-TEK Pro가 홈 화면에서 자동으로 시작되며 즉시 실시간 중량을 표시합니다. 저울 플랫폼에 중량을 측정할 탱크 또는 기타 물체를 올려 놓습니다. 알람이 설정된 경우 메인 디스플레이 하단에 설정값이 표시됩니다.



홈 화면에서 다음 중 수행하려는 작업에 해당하는 키패드 버튼을 누릅니다.






기호	설명
	중량을 영점 조정합니다
lb/kg	표시 단위(lb/oz, lb, oz, kg, g)를 전환합니다
	설정 메뉴를 시작합니다



## 6.4 설정 메뉴

설정 메뉴에서 키패드를 사용해 특정 기능을 선택하거나 설정을 입력합니다. 현재 선택된 하위 메뉴가 짙은 청색으로 강조 표시됩니다.



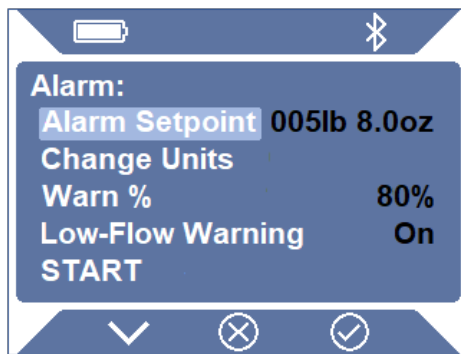
기호	설명
	Alarm Settings 메뉴 - 중량을 기준으로 알람을 설정합니다
<b>lb/kg</b>	Unit Settings 메뉴 - 표시 단위를 변경합니다
	Bluetooth Settings 메뉴 - Bluetooth를 활성화/비활성화합니다
	Screen Dimming Settings 메뉴 - 배터리 사용시간을 늘리기 위해 디스플레이를 흐리게 표시할지 여부를 선택합니다
	Auto-shutoff Setting 메뉴 - 설정한 시간 이후 저울을 자동으로 끌지 여부를 선택합니다
	Info/About 메뉴 - 펌웨어 버전, MAC 주소 및 FCC 정보를 포함하여 체중계에 대한 기본 정보를 표시합니다.

## 6.5 알람

Wey-TEK Pro는 중량 설정값을 기준으로 알람을 설정할 수 있습니다. 이 알람에 따라 냉매를 복구 또는 충전할 수 있습니다. 알람은 Alarm Settings 메뉴에서 설정합니다.

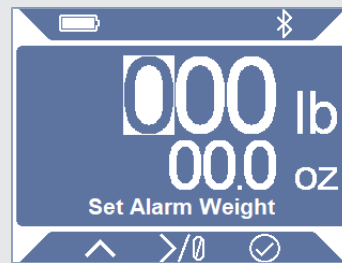
### 참조

Wey-TEK Pro의 핸드피스에는 오디오 알람이 없습니다. 보이는 알람만 표시됩니다. 오디오 알람을 사용하려면 Wey-TEK Pro 앱을 다운로드하십시오. 을 참조하십시오.




알람 설정 화면에는 현재 알람과 관련된 설정이 표시되며 하위 메뉴를 열고 해당 설정을 수정할 수 있습니다.


Alarm Setpoint	설정되어 있는 중량을 변경하려면 이 메뉴를 선택합니다.
Change Units	단위를 변경할 수 있습니다. <b>lb/oz, lb, oz, kg</b> 또는 <b>g</b> 중에서 선택할 수 있습니다.  참고: 단위를 변경하면 알람 설정값이 0으로 초기화됩니다.
Warn %	알람이 설정된 중량에 가까워질 때 경고를 표시할 알람 설정값의 백분율을 선택합니다. <b>Disabled, 70%, 80%, 90%</b> 중에서 선택할 수 있습니다.
Low-Flow Warning	중량이 2분 이내에 30 g 미만 변경된 경우 보이는 경고를 표시하려면 이 설정을 켜십시오.
START	알람을 시작합니다.



## 6.5.1 알람 사용

- 1 알람 설정 메뉴를 시작합니다.
- 2 알람 값을 설정합니다.
- 3 **START**를 선택합니다. Wey-TEK Pro가 홈 화면으로 돌아간 다음 영점을 맞추고 계량을 시작합니다. 설정값은 화면 하단 근처에 표시됩니다.
- 4 알람이 완료되면 화면이 녹색으로 깜박이다가 주입된 총 냉매량이 표시됩니다. 확인 후 알람을 지우려면 를 누릅니다.



### 참조

알람을 취소하려면 알람 중 언제든지 를 누르십시오.



## 6.5.2 냉매 교체/복구 실린더

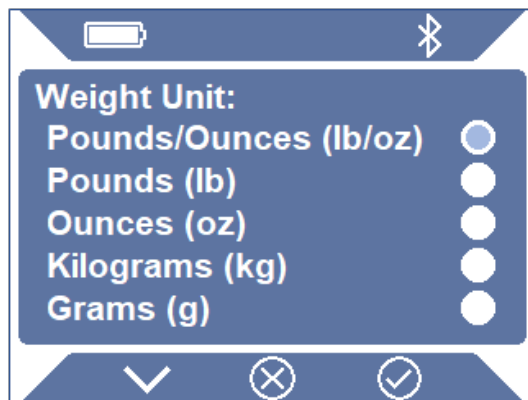
알람이 설정되어 있고 교체/복구 프로세스 중 실린더 교체가 필요할 경우:

- 1 실린더 밸브를 닫습니다. 저울이 안정될 때까지 약간의 시간이 소요됩니다.
- 2 를 누릅니다.
- 3 실린더를 교체합니다.
- 4 를 누릅니다. Wey-TEK Pro는 충전된 무게를 기억하고 알람/로그를 재개합니다.
- 5 새 실린더 밸브를 엽니다.

## 6.6 단위

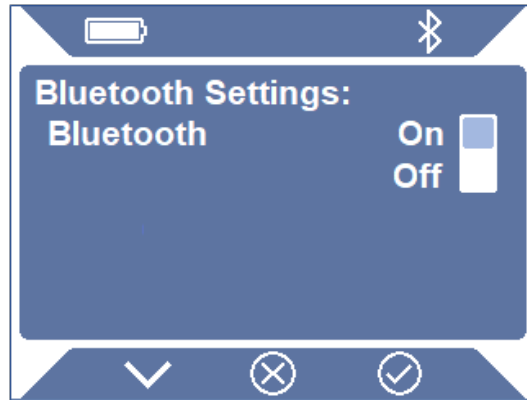
Units 메뉴에서는 표시 단위를 설정할 수 있습니다. 이 작업은 홈 화면에서 수행할 수 있습니다.

단위는 lb/oz, lb, oz, kg, g 중에서 표시할 수 있습니다. 기본 설정은 lb/oz입니다.



## 6.7 Bluetooth

Bluetooth 메뉴에서는 Bluetooth를 활성화/비활성화할 수 있습니다. Bluetooth는 모바일 앱을 사용하는 데 필요합니다. Bluetooth가 활성화된 경우 앱에서 모바일 장치를 페어링할 수 있습니다. 기본 Bluetooth 설정은 On입니다.



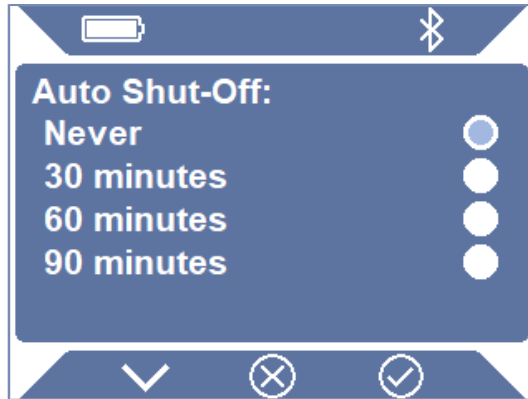
## 6.8 화면 감광 기능

화면 감광 메뉴에서는 일정 시간이 경과된 후 화면이 어두워지도록 설정하여 배터리 사용시간을 절약할 수 있습니다. 기본 설정은 1분입니다.



## 6.9 자동 꺼짐

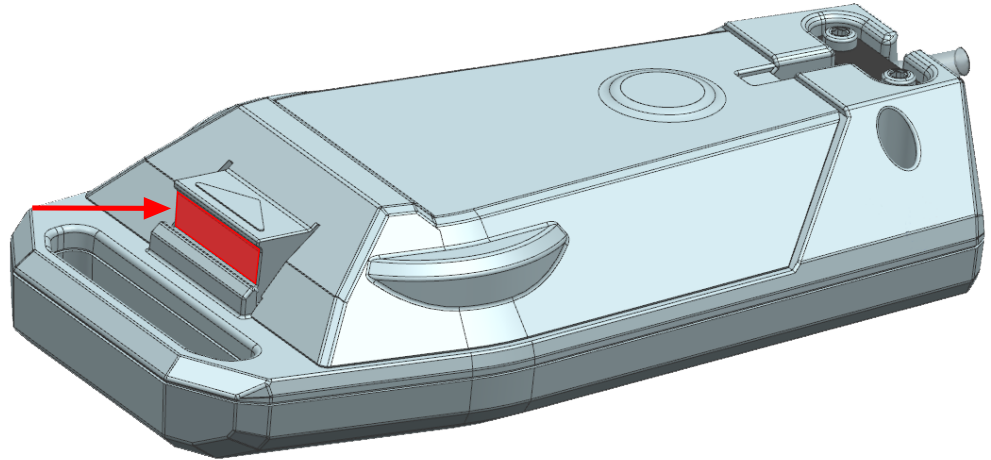
Auto Shut-off 메뉴에서는 Wey-TEK Pro가 자동으로 꺼지기 전까지의 시간을 변경할 수 있습니다. 타이머(표시되지 않음)는 아무 버튼을 누르거나 중량이 변할 때 초기화됩니다. 기본 설정은 Never입니다.



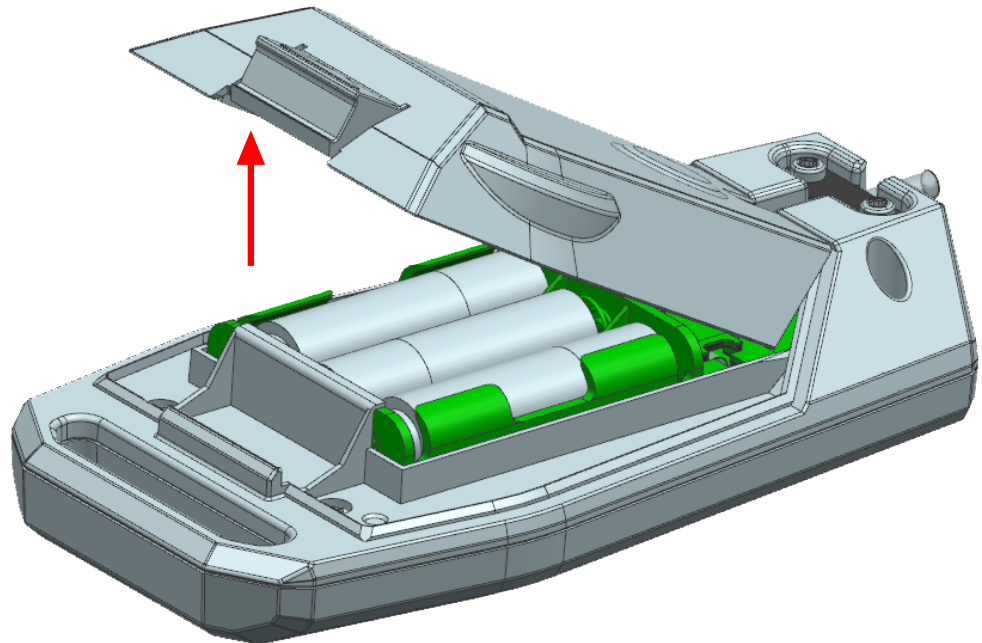
## 7 배터리 교체

Wey-TEK Pro는 AA 알카라인 배터리 3개로 작동합니다. 배터리 도어는 핸드피스 후면에 있습니다.

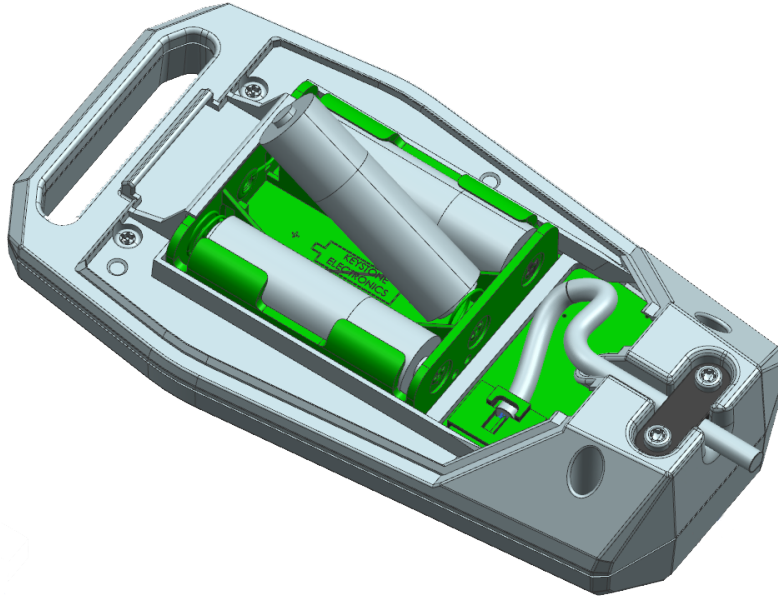
- 1 핸드피스를 뒤로 돌려 놓고 가장자리 아래쪽 배터리 도어 걸쇠를 화살표 방향으로 누릅니다.



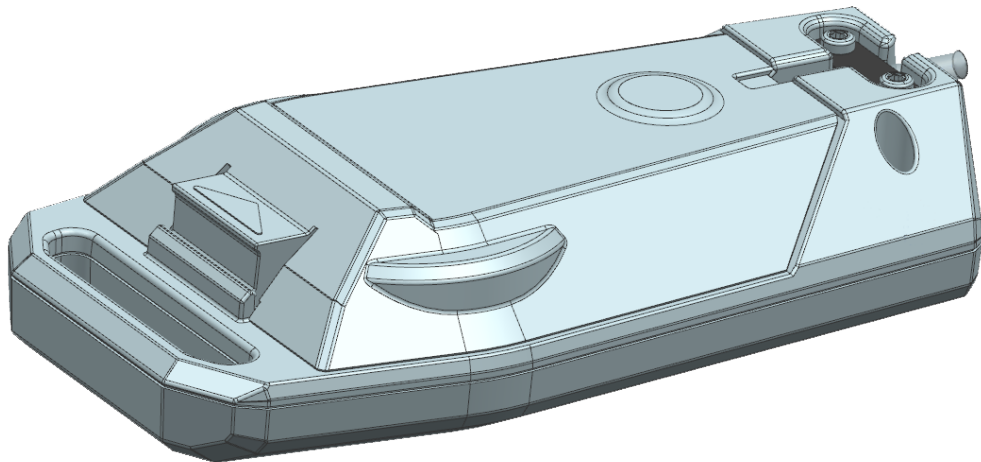
- 2 배터리 도어를 제거합니다.



3 사용한 배터리를 제거하고 새 배터리를 넣습니다.



4 배터리 도어를 닫습니다.



관련 지역별 규정에 따라 방전된 알카라인 배터리를 폐기하십시오. 해당 규정이 없을 경우 자체 폐기물 재활용 프로그램에 따라 배터리를 재활용 및/또는 폐기하십시오.



## 8 앱

스마트폰 또는 태블릿에 Wey-TEK Pro 앱을 무료로 다운로드하고 추가 기능을 사용할 수 있습니다.

Wey-TEK Pro 앱에서 다음과 같은 기능을 사용할 수 있습니다.

- 핸드피스와 동일한 기능 사용
- 시각/청각 알리를 포함한 알람 설정
- 사진, 고객 정보를 포함한 작업 기록 저장 및 공유
- Wey-TEK Pro 펌웨어 업데이트

### 참조

앱과 페어링하기 위해 저울을 페어링 모드로 설정하지 않아도 됩니다.

앱은 App Store® 또는 Google Play™에서 다운로드할 수 있습니다.



## 9 자석 스트랩

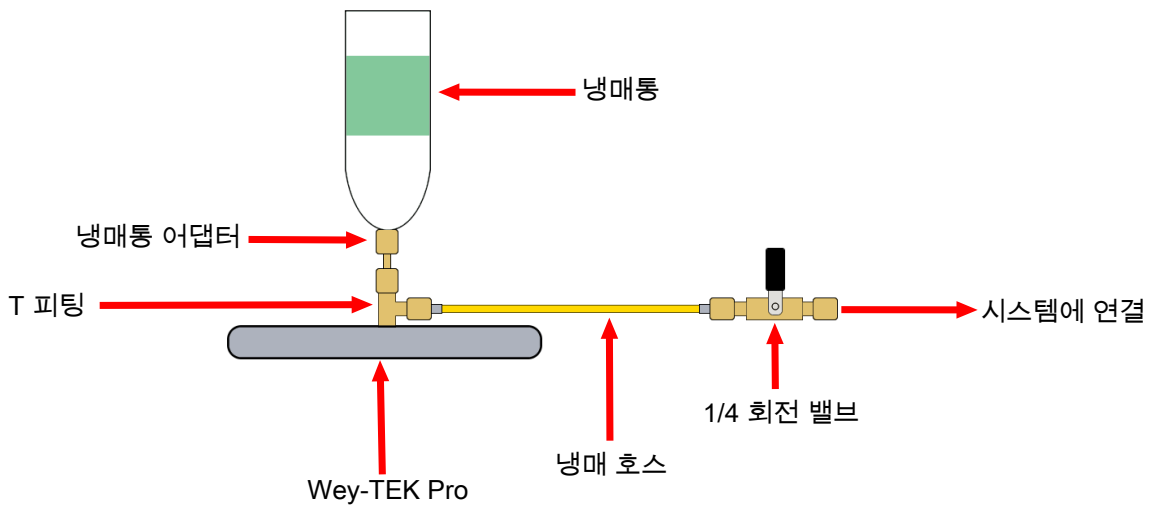
Wey-TEK Pro에는 핸드피스를 걸어 놓고 손을 자유롭게 사용할 수 있는 자석 스트랩이 기본 제공됩니다. 이 스트랩은 핸드피스의 슬롯을 통과하는 루프 고리와 후크를 이용합니다. 자석을 사용하여 스트랩을 파이프 또는 기타 물체에 감아 핸드피스를 걸어 두십시오.

## 10 소용량 어댑터 키트

소용량 어댑터 키트(부품 번호 501-601-G1)는 A3 가연성 냉매에 일반적인 소형 냉매통을 저울에 부착할 수 있는 옵션 액세서리입니다. 그러면 냉매통의 위아래를 반대로 고정된 상태로 쉽게 충전할 수 있습니다.

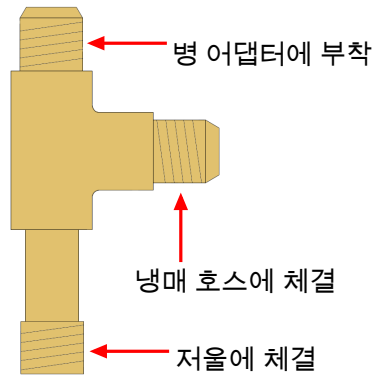
소용량 어댑터 키트 구성품:

- 1/4 SAE 수 보틀 스레드의 T 피팅
- 1/4 회전 밸브
- 18 in. (457 mm) 냉매 호스 (내부 직경 2mm)
- CGA600 암 <-> 7/16-28 (EN417 Lindal) 암 체결 보틀 어댑터
- 7/16-28 (EN417 Lindal) 암 <-> 1/4 SAE 수 체결 보틀 어댑터
- 1/4 SAE 암-1/4 SAE 암 병 어댑터



어댑터 키트를 사용하려면:

- 1 소형 일자 드라이버 또는 유사한 도구를 사용해 저울 플랫폼에서 소형 플라스틱 플러그를 제거합니다.
- 2 저울 플랫폼에 T 피팅을 돌려 끼웁니다.



- 3 냉매통에 적절한 탱크 어댑터를 선택하고 피팅에 부착합니다.
- 4 냉매 호스의 한쪽 끝을 T 피팅에 체결하고 다른 쪽 끝을 1/4 회전 밸브에 체결합니다.
- 5 폐쇄 위치에 1/4 회전 밸브를 체결한 상태에서 냉매통을 냉매 탱크 어댑터에 체결합니다.
- 6 1/4 회전 밸브를 시스템에 체결합니다.
- 7 1/4 회전 밸브를 천천히 열어 시스템을 충전합니다. 마치면 밸브를 닫습니다.

### 참조

모든 체결 부품을 손으로 조입니다.

## 11 세척 및 보관

Wey-TEK Pro는 순한 세제 또는 이소프로필 알콜을 사용해 세척할 수 있습니다. 세척제가 핸드피스 안으로 유입되지 않도록 주의하십시오. 가솔린, 아세톤, 기타 강한 용제를 사용해 세척할 경우 플라스틱 또는 디스플레이가 손상될 수 있습니다.

### 참조

플랫폼은 알루미늄으로 제작되었으며 특정 용매를 사용할 경우 오염될 수 있습니다.

## 12 핸드피스 또는 코드 교체

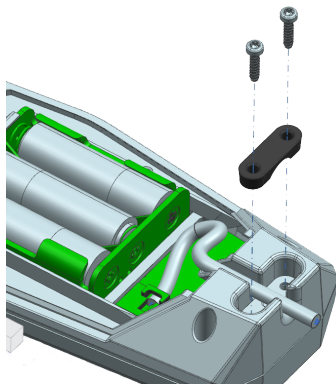
핸드피스 또는 코드가 손상될 경우 핸드피스(PN 501-701-G1) 또는 플랫폼/코드 어셈블리(PN 501-702-G1)를 교체할 수 있습니다. 코드는 플랫폼 내 로드 셀에 고정되어 있으므로 둘 다 함께 교체해야 합니다.



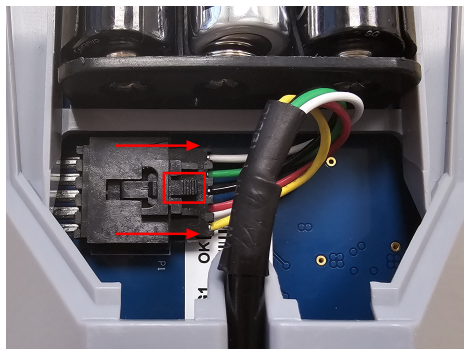
핸드피스에 ESD 손상이 발생하지 않도록 교체 전 사용자 접지를 하는 것이 좋습니다.

핸드피스 또는 플랫폼/코드를 교체하려면:

- 1 Wey-TEK Pro를 끕니다.
- 2 핸드피스에서 배터리 도어를 제거합니다.
- 3 T10 별 드라이버를 사용해 핸드피스에서 나사 2개를 제거합니다.



- 4 코드 지지대를 제거합니다.
- 5 커넥터 잠금을 누르고 소켓에서 커넥터를 조심스럽게 잡아 당깁니다.



- 6 핸드피스 또는 플랫폼/코드 어셈블리를 교체하고 반대 순서로 다시 조립합니다.

### 참조

나사를 너무 세게 조이지 마십시오.

## 13 교체 부품 및 액세서리

소용량 어댑터 키트	501-601-G1
교체 휴대용 케이스	501-700-G1
교체용 핸드피스(자석 스트랩 포함)	501-701-G1
교체용 저울 플랫폼(케이블 포함)	501-702-G1
자석 스트랩	501-311-P1
교체용 배터리 도어	501-308-P1

## 14 보증 및 면책사항

INFICON은 구입일로부터 1년 또는 2년간(지역에 따라 다름) 기기에 대한 소재 또는 제작 상태의 결함을 보증합니다. INFICON은 배터리, 센서, 필터를 포함한 품목에 대해 정상적 사용에 따른 품질 저하를 보증하지 않습니다. 또한 INFICON은 오용하거나 부주의하게 사용한 기기, 사고로 손상된 기기, INFICON 담당자가 아닌 외부인이 수리 또는 변조한 기기에 대해 보증하지 않습니다. INFICON의 책임은 보증기간 만료 후 30일 이내에 INFICON에 반환되고 운송료를 선납한 기기 중 INFICON에서 결함 있는 소재 또는 제작 상태로 인한 오작동임을 판단한 기기에만 제한적으로 적용됩니다. INFICON의 책임은 결함 있는 기기 또는 부품의 수리 또는 교체로 제한되며, 수리 또는 교체 여부는 INFICON이 선택합니다. 이러한 보증은 상품성, 특정 목적에의 적합성 등 명시적이거나 암묵적인 기타 모든 보증을 대체합니다. 이와 같은 다른 보증은 모두 명시적으로 부인됩니다. INFICON은 INFICON에 지급된 기기 가격과 선납된 반송료를 초과하는 금액에 대해 책임을 지지 않습니다. INFICON은 부수적 또는 결과적 손해에 대해 어떠한 책임도 지지 않습니다. 이러한 책임은 모두 배제됩니다.



# Chinese RoHS Table

## RoHS Compliance List

部件名称 Description	有害物质 Hazardous substance					
	铅 Pb	汞 Hg	镉 Cd	六价铬 Cr(VI)	多溴联苯 PBB	多溴联苯醚 PBDE
主机 Handset	o	o	o	o	o	o
电源组件 Power supplier	o	o	o	o	o	o
附件 Accessory	o	o	o	o	o	o

本表格依据SJ/T 11364的规定编制

This table is prepared according to provisions of SJ/T 11364.

o: 表示该有害物质在该部件所有均质材料中的含量均在GB/ 26572规定的限量要求下。

o: Indicates that said hazardous substance contained in all off the homogeneous materials for this part is below the limit requirement of GB/T 26572.

x: 表示该有害物质至少在该部件的某一均质材料中的含量超出GB/ 26572规定的限量要求。

x: Indicates that said hazardous substance contained in at least one of the homogeneous materials for this part is above the limit requirement of GB/ 26572.





Two Technology Place  
East Syracuse, NY 13057-9714 USA  
Phone: +1.800.344.3304  
E-Mail: [service.tools@inficon.com](mailto:service.tools@inficon.com)

[www.inficonservicetools.com](http://www.inficonservicetools.com)

Bonner Strasse 498  
D-50968 Cologne, Germany  
Phone: +49 221 56788-660  
E-Mail: [servicetools.europe@inficon.com](mailto:servicetools.europe@inficon.com)  
[www.inficonservicetools-europe.com](http://www.inficonservicetools-europe.com)

Section A, Building 6  
108 Shuya Road, Shanghai, China  
Phone: +86-21-62093094  
Email: [reach.china@inficon.com](mailto:reach.china@inficon.com)

Korea  
Phone: +82-31-206-2890  
Email: [reach.korea@inficon.com](mailto:reach.korea@inficon.com)

Japan  
Phone: +81-44-322-8901  
Email: [reach.japan@inficon.com](mailto:reach.japan@inficon.com)

Singapore  
Phone: +65-6631-0303  
Email: [reach.singapore@inficon.com](mailto:reach.singapore@inficon.com)

Taiwan  
Phone: +886-3-5525828  
Email: [reach.taiwan@inficon.com](mailto:reach.taiwan@inficon.com)

Due to our continuing program of product improvements, specifications are subject to change without notice.  
All trademarks are the property of their respective owners.

074-816-P16-A

©2024 INFICON