

VIH016 ... 040-AD

Diaphragm Valves Manually actuated

The INFICON ISO-KF diaphragm valve line, VIH016 ... 040-AD performs as a gauge isolation, roughing or venting valve. The manual spindle drive allows easy gas dosing. The robust and rugged industrial design is well suited for gases and liquids and is resistant against dirty environment.



ADVANTAGES

- Spindle drive for controlled venting and easy dosing
- Low operating force required
- Visual position indicator
- FPM diaphragm sealing; other sealing materials on request
- Aluminum inline housing EN AW-6082
- Easy maintenance, fast diaphragm seal replacement
- Small footprint and easy system integration

ORDERING INFORMATION

Type	VIH016-AD	VIH025-AD	VIH040-AD
	253-481	253-482	253-483

SPARE PARTS

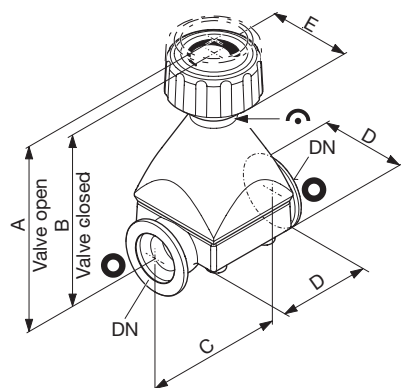
Diaphragm (1 piece)	299-031	299-032	299-033
---------------------	---------	---------	---------



SPECIFICATIONS

		VIH016-AD	VIH025-AD	VIH040-AD
Vacuum connection		DN 16 ISO-KF	DN 25 ISO-KF	DN 40 ISO-KF
Cycle life	Cycles	>10000	>10000	>10000
Conductance for molecular flow	l/s	2	5	17
Tightness	mbar l/s	1×10^{-9}	1×10^{-9}	1×10^{-9}
Operating pressure min. / max.	mbar / bar	1×10^{-7} / 5	1×10^{-7} / 5	1×10^{-7} / 5
Pressure, max. (absolute)	bar	5	5	5
Ambiance temperature	°C	0 ... +50	0 ... +50	0 ... +50
Mounting orientation		any	any	any
Diaphragm		FPM	FPM	FPM
Weight	kg	0.16	0.5	1.2

DIMENSIONS

VIH016-AD, VIH025-AD



-  Protective lid
-  Visual position indicator

[mm]

DN	A	B	C	D	E	F
DN 16 ISO-KF	66	62	52	32.5	29.5	–
DN 25 ISO-KF	111	101	80	54	47	–
DN 40 ISO-KF	148.5	134.5	105	75	69.5	80

VIH040-AD

