

DN 16-63

Manually Actuated Angle Valves with CF-Flanges (VAH)

STANDARD

- For UHV and HV applications
- Bakeable at up to 180°C in open and closed position
- FPM sealed
- Maintenance-free

ALL-METAL

- For UHV applications
- Bakeable at up to 300°C in open and closed position
- Copper sealed
- Maintenance-free



SELECTION DATA

		STANDARD			ALL - METAL		
Vacuum connection		DN16 CF-R	DN40 CF-R	DN 63 CF-R	DN16 CF-R	DN40 CF-R	DN 63 CF-R
Tightness	mbar l/s	1×10^{-10}	1×10^{-10}	1×10^{-10}	5×10^{-11}	5×10^{-11}	5×10^{-11}
Bakeout temperature w/o hand wheel	°C	180	180	180	300	300	300

ORDERING INFORMATION

Type	VAH016-Z	VAH040-Z	VAH063-Z	VAH016-U	VAH040-U	VAH063-U
Part No.	250-731	250-736	250-741	250-730	250-735	250-740

SPECIFICATIONS

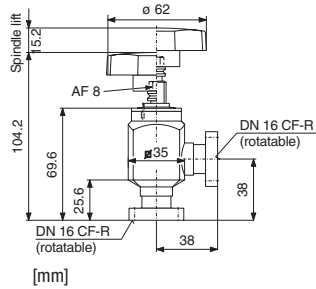
Service life	cycles	50 000	50 000	50 000	1000	1000	1000
Conductance for molecular flow	l/s	3	38	100	3	38	100
Pressure (absolute) min. / max.	mbar/bar	$1 \times 10^{-9} / 4$	$1 \times 10^{-9} / 4$	$1 \times 10^{-9} / 4$	$1 \times 10^{-10} / 4$	$1 \times 10^{-10} / 4$	$1 \times 10^{-10} / 4$
Tightening torque	Nm	≤ 1	≤ 1.8	≤ 2.5	8 ... 10	20 ... 40	30 ... 60
Heating and cooling rate	°C/min	—	—	—	4	4	2
Bellows, stainless steel AISI/DIN		321/1.4541	321/1.4541	321/1.4541	321/1.4541	321/1.4541	321/1.4541
Housing, stainless steel AISI/DIN		304/1.4301 welded	304/1.4301 welded	304/1.4301 welded	304/1.4301 welded	304/1.4301 welded	304/1.4301 welded
Valve plate, seal		FPM	FPM	FPM	copper	copper	copper
Valve plate, stainless steel AISI/DIN		304/1.4301	304/1.4301	304/1.4301	304/1.4301	304/1.4301	304/1.4301
Weight	kg	0.35	1.8	4.8	0.4	2.0	5.0

SPARE PARTS

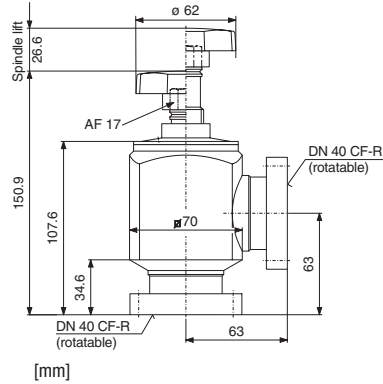
FPM seal, 10 pieces	Part No.	215-341	215-342	215-343	—	—	—
Copper seal, 2 pieces	Part No.	—	—	—	215-344	215-345	215-346

DIMENSIONS

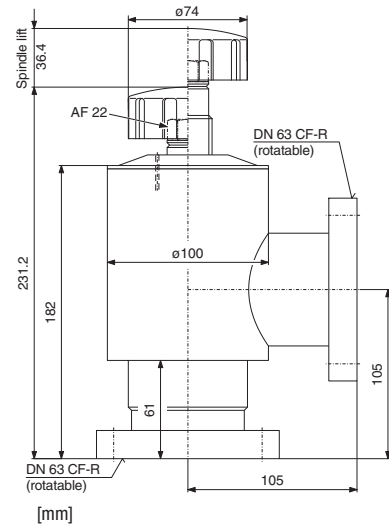
VAH016-Z



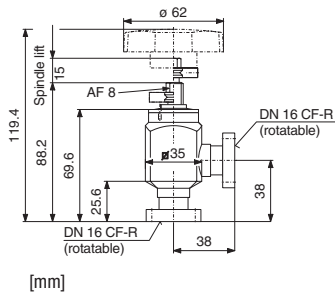
VAH040-Z



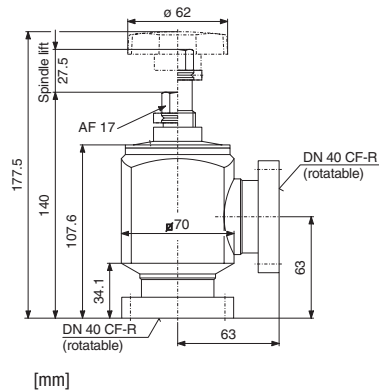
VAH063-Z



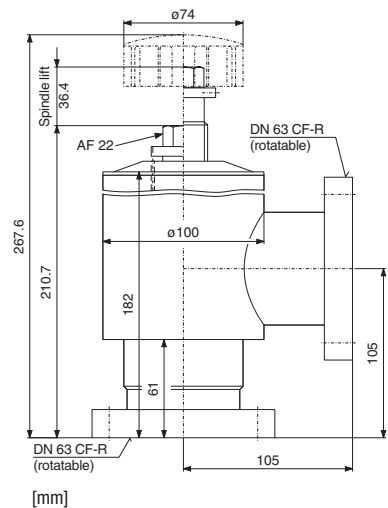
VAH016-U



VAH040-U



VAH063-U



GLOBAL HEADQUARTERS:

Two Technology Place, East Syracuse, NY 13057 USA
 Tel: +1.315.434.1100 Fax: +1.315.437.3803 E-mail: reachus@inficon.com

UNITED STATES FRANCE GERMANY LIECHTENSTEIN SWITZERLAND UNITED KINGDOM CHINA JAPAN KOREA SINGAPORE TAIWAN

Visit our website for contact information and other sales offices worldwide. www.inficon.com
 Due to our continuing program of product improvements, specifications are subject to change without notice.
 siba18e1-b (2007-02) ©2007 INFICON Inc.