



CDG045D

SKY® Capacitance Diaphragm Gauges

INFICON SKY CDG045D manometers are your best choice for high accurate total pressure measurement and control. CDG045D gauges are temperature controlled at 45 °C for superior signal stability and repeatability. They are available for full scale ranges from 100 mTorr to 1000 Torr, with all common flange types and fieldbus interfaces and provide a linear 0 to 10 V, gas type independent, pressure signal. INFICON capacitance manometers use an ultra pure alumina ceramic diaphragm which is corrosion proof. The advantages of the ceramic sensor are better signal stability, faster recovery from atmosphere, short warm up time and an extraordinary lifetime. INFICON CDG are high quality, cost effective pressure sensors for demanding vacuum applications.



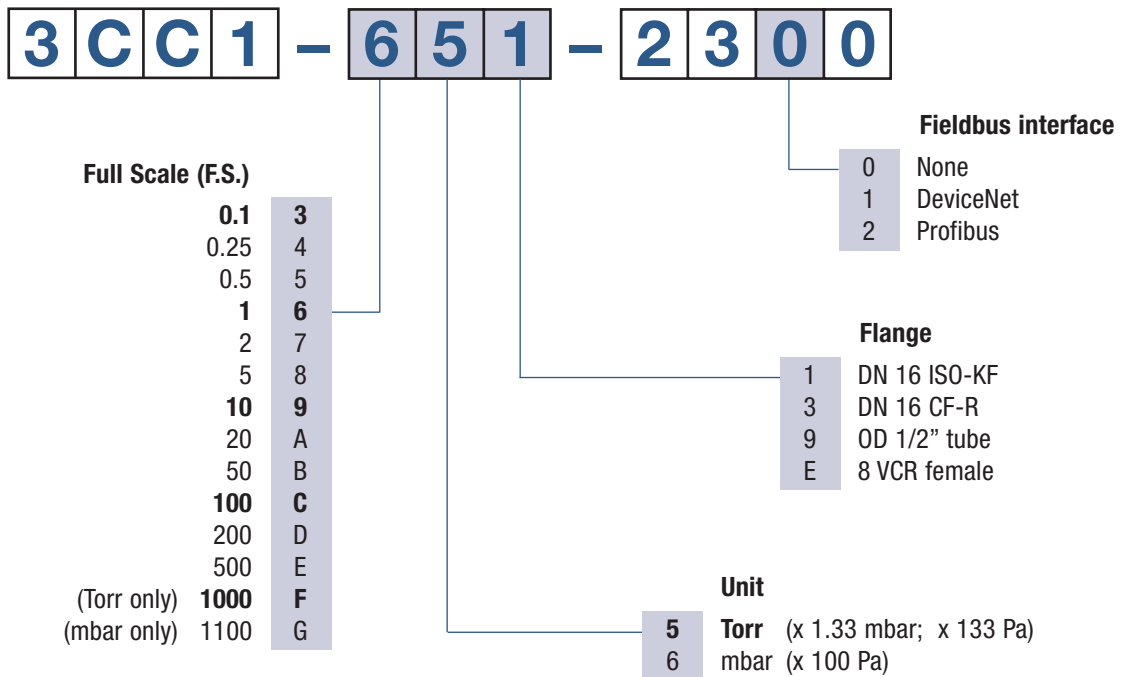
ADVANTAGES

- Lower CoO (cost of ownership), 50% faster warm up, energy efficient low power consumption
- Easy integration, wide variety of full scales, flanges and interfaces, standard with two set points
- Easy one push button or remote signal zero command, zero offset adjustable
- Diagnostic port for quick service and maintenance
- Two year warranty, longer life time with advanced heating concept and gauge protection
- No long term recalibration due to excellent signal stability and repeatability, even in harsh plasma applications
- Compliance & standards: CE, EN, UL, SEMI, RoHS

APPLICATIONS

- Etch, CVD, PVD and other semiconductor production processes
- Chemical and corrosive vacuum processes
- General thin film and vacuum processes
- Reference sensor for monitoring of test instruments according to international standards
- Transfer standard for traceability measurements

ORDERING INFORMATION CDG045D



bold = standard products

Other flange types and full scale ranges (F.S.) on request.

ACCESSORIES

Diagnostic

Communication adapter (2 m) for PC RS232 serial port

303-333

Software to run the diagnostic functions on Windows NT, XP can be downloaded from our website.

SPECIFICATIONS (Torr based standard products)

Measurement Range F.S. (Full Scale)	Torr Pa mbar	1000 133'322 1333	100 13'332 133	10 1'333 13.3	1 133 1.3	0.1 13 0.13
Accuracy ¹⁾	% of reading	0.15				
Temperature effect on zero	% F.S./°C	0.0025				0.005
on span	% of reading/°C	0.01				
Pressure, max.	kPa (absolute)	400	260			130
Resolution	% F.S.	0.003				
Lowest reading	% F.S.	0.01				
Lowest suggested reading	% F.S.	0.05				
Lowest suggested control pressure	% F.S.	0.5				
Temperature Operation (ambient)	°C	+10 ... +40				
Bakeout at flange	°C	≤110				
Storage	°C	-40 ... +65				
Supply voltage		+14 ... +30 VDC or ±15 V (±5%)				
Power consumption During Heat up	W	≤12				
At operating temperature	W	≤8				
Output signal (analog)	VDC	0 ... +10				
Response time	ms	30				
Degree of protection		IP 40				
Standards		EN 61000-6-2, EN 61010, UL 61010-1, CSA 22.2 No.61010-1, SEMI S-2				
Electrical connection		D-sub, 15 pole, male				
Setpoint		two setpoints (SP1, SP2)				
Relay contact	VDC / ADC	≤30 / ≤0.5				
Hysteresis	% F.S.	1				
Diagnostic port Protocol		RS232-C				
Read		pressure, status, ID,				
Set		set points, filter, zero adjust, factory reset, DC offset				
Materials exposed to vacuum		Aluminum oxide ceramic (Al ₂ O ₃), stainless steel (AISI 316L ²⁾ , Nickel, sealing glass				

¹⁾ Non-linearity, hysteresis, repeatability at 25 °C ambient operating temperature without temperature effects after 2 hours operation.

²⁾ 18% Cr, 10% Ni, 3% Mo, 69% Fe

SPECIFICATIONS (Torr based other ranges)

Measurement Range F.S. (Full Scale)	Torr Pa mbar	500 66'661 666.61	200 26'664 267	50 6'666.1 66.67	20 2'666 26.7	5 666.61 6.6661	2 266.66 2.67	0.5 66.66 0.67	0.25 33.3 0.33
Accuracy ¹⁾	% of reading	0.15							
Temperature effect on zero	% F.S./°C	0.0025						0.005	
on span	% of reading/°C	0.01							
Pressure, max.	kPa (absolute)	400	260				130		
Resolution	% F.S.	0.003							

Further specifications see table above.

SPECIFICATIONS (mbar based products)

Measurement Range F.S. (Full Scale)	mbar Pa	1100 110'000	100 10'000	10 1'000	1 100	0.1 10	
Accuracy ¹⁾	% of reading	0.15					
Temperature effect on zero	% F.S./°C	0.0025				0.005	
on span	% of reading/°C	0.01					
Pressure, max.	kPa (absolute)	400				260	130
Resolution	% F.S.	0.003					

Further specifications see tables «SPECIFICATIONS (Torr based standard products)» and «SPECIFICATIONS (Torr based other products)».

SPECIFICATIONS (DeviceNet™)

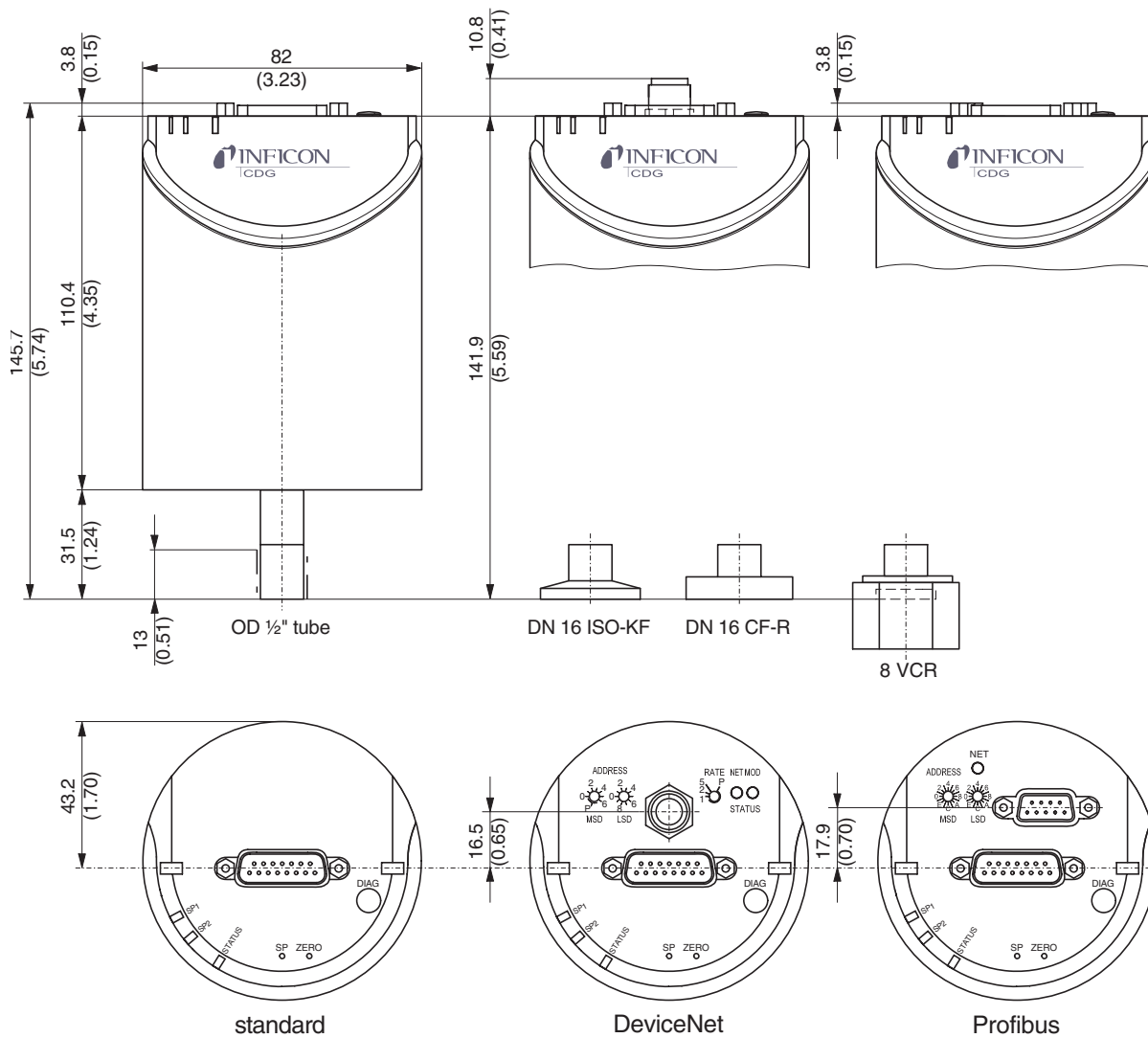
			CDG045D DeviceNet™
Protocol			DeviceNet™, group 2 slave only
Data rate	kBaud	125, 250, 500 by switch or network programmable	
Cable length			
125 kbps	m (ft)	500 (1650)	
250 kbps	m (ft)	250 (825)	
500 kbps	m (ft)	100 (330)	
MAC ID			address 00 - 63 by switch or network programmable
Digital functions	read set	pressure, status, ID set points, filter, zero adjust, factory reset, DC offset	
Specification			DeviceNet™ "Vacuum Gauge Device Profile" (ODVA)
Device type			"VG" vacuum gauge
I / O slave messaging			polling only
Supply voltage for gauge at D-sub connector			+14 ... +30 VDC or ±15 V / ≤12 W
Supply voltage for DeviceNet transceiver at microstyle connector			24 V nom / <2 W (11 ... 25 V)
Connector for DeviceNet™			microstyle, 5 pin
Connector for CDG (analog output, supply voltage CDG, setpoints)			D-sub, 15 pin, male

SPECIFICATIONS (Profibus DP)

			CDG045D Profibus DP
Baud rates	kBaud MBaud	9.6 / 19.2 / 93.75 / 187.5 / 500 1.5 / 12	
Address			address 00 - 125 by switch or network programmable
Digital functions	read set	pressure, status, ID set points, filter, zero adjust, factory reset, DC offset	
Connector for Profibus DP			D-sub, 9 pin, female
Connector for CDG (analog output, supply voltage, setpoints)			D-sub, 15 pin, male

DIMENSIONS, INTERNAL VOLUME, WEIGHT

mm (inch)



		1/2" tube	DN 16 ISO KF	DN 16 CF-R	8 VCR®
Internal volume	cm ³ (inch ³)	4.2 (0.26)	4.2 (0.26)	4.2 (0.26)	4.2 (0.26)
Weight	g	837	852	875	897

INFICON Instruments for Intelligent Control™

GLOBAL HEADQUARTERS:

Two Technology Place, East Syracuse, NY 13057 USA
Tel: +1.315.434.1100 Fax: +1.315.437.3803 E-mail: reachus@inficon.com

UNITED STATES FRANCE GERMANY LIECHTENSTEIN SWITZERLAND UNITED KINGDOM CHINA JAPAN KOREA SINGAPORE TAIWAN

Visit our website for contact information and other sales offices worldwide. www.inficon.com
Due to our continuing program of product improvements, specifications are subject to change without notice.
tiba34e1 (2007-11) ©2007 INFICON