

Maxtek Crystal Holders/ Flow Cell/Glass Cell

CHC-100/CHK-100/CHT-100/FC-550/CHC-15/GC-15



DESIGNED FOR EASY, RELIABLE CRYSTAL REPLACEMENT

The CHC/CHK/CHT-100 crystal holders are designed to be dipped into a liquid. The crystal holders provide users with a rugged and easy to use quartz crystal housing for QCM experiments. Seamless construction, a choice of three chemically resistant materials and an o-ring sealed crystal allow the holders to be used in a wide variety of gases and liquids over a broad temperature range. A removable retainer permits easy crystal replacement. The compact holders are designed to use 1 inch diameter sensor crystals.

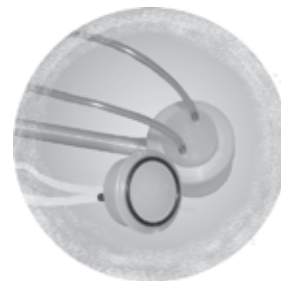
The CHC-100 holder is made of CPVC material, uses Viton® o-rings and is terminated with a standard female BNC connector. The CHK-100 is made of Kynar® material, uses Kalrez® o-rings and is terminated with a male SMB connector. The CHT-100 is made of Teflon® material, uses Kalrez o-rings and is also terminated with a male SMB connector.

The FC-550 Flow Cell is designed to be used with any of the INFICON Maxtek 550 series probes or 100 series crystal holders. The FC-550 is made from Kynar. The cell has two stainless steel inlet and outlet tubes with .047" L.D. x .062" O.D. (outside diameter). A Viton o-ring provides sealing between the cell and the face of the sensor crystal. The cell is used in place of the Crystal Retainer Ring. Once installed in the crystal holder, it creates a flow chamber of approximately 0.1 ml.

The CG-15 is a 45 ml volume glass cell including the CHC-15 crystal holder, clamp and stopper. The CHC-15 crystal holder is designed for use with a Chem Glass® joint, CG124-04, and clamp and allows the user to create a glass cell of their own design.

FEATURES AT A GLANCE

- Easy Crystal Replacement
- Rugged Construction
- Compact Design
- Liquid Compatible



*FC-550
Flow Cell*



*CG-15
Glass Cell*

*Crystal Holder
CHC-15*



SPECIFICATIONS

CHC / CHK / CHT

Length	10 cm (4")
O-ring	Viton
Material	CPVC®
Temperature	-25°C to 95°C
Connector	BNC

CHC-100

Length	10 cm (4")
O-ring	Viton
Material	CPVC®
Temperature	-25°C to 95°C
Connector	BNC

CHK-100

Length	10 cm (4")
O-ring	Kalrez
Material	Kynar
Temperature	-25°C to 110°C
Connector	SMB

CHT-100

Length	10 cm (4")
O-ring	Kalrez
Material	Teflon
Temperature	-25°C to 85°C
Connector	SMB

FC-550

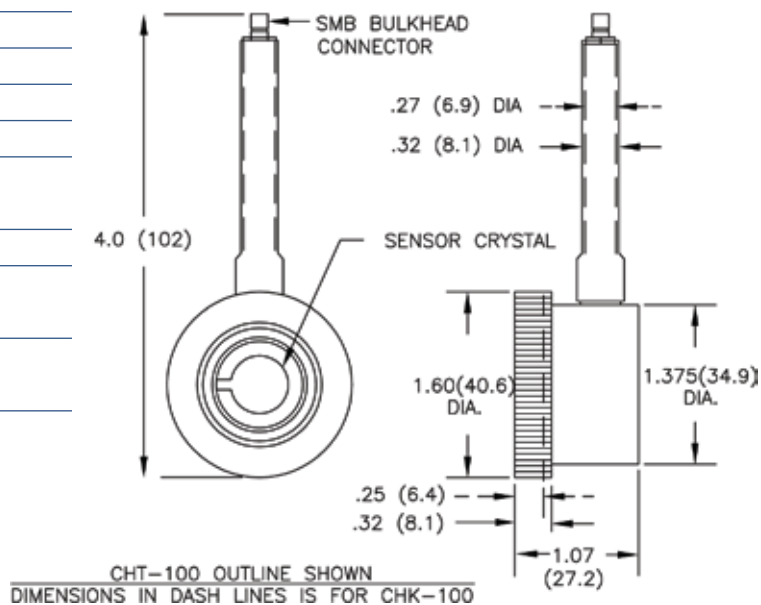
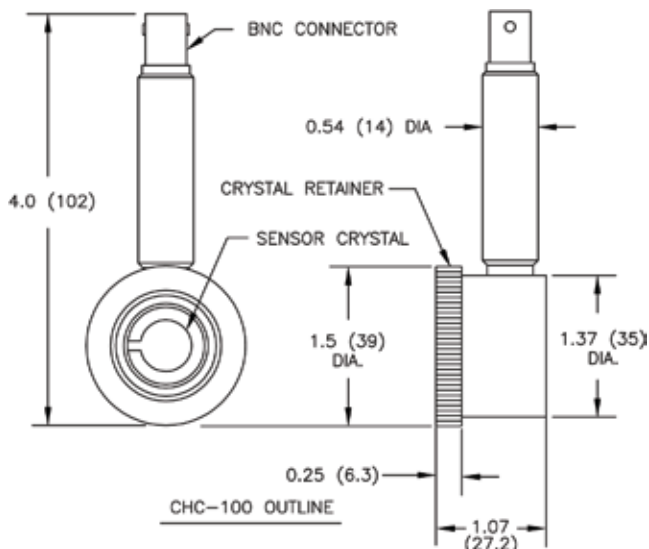
Cell Material	Kynar
Inlet & Outlet Tubes	SS-304
O-ring	Viton

CHC-15 Crystal Holder

Material	CPVC
O-ring	Viton
Temperature	-25°C to 95°C
Connector	SMB

GC-15 Glass Cell

Material	Pyrex Glass
O-ring	Viton
Approx. Volume of Water	45 ml
Temperature	20°C to 300°C
Connector	SMB



ORDERING INFORMATION

Model #	Part #	Description
CHC-100	173206	CPVC Crystal Holder
CHK-100	184204	Kynar Crystal Holder
CHT-100	172205	Teflon Crystal Holder
FC-550	184208	Flow Cell
GC-15	623204	Glass Cell with CH-15 Crystal Holder
CH-15	623200	CPVC Crystal Holder
SC-501-1	149211-1	Crystal, 5 MHz Gold, Polished, 1" Dia.
SC-501-2	149211-2	Crystal, 5 MHz Gold, Unpolished, 1" Dia.



www.inficon.com reachus@inficon.com

Due to our continuing program of product improvements, specifications are subject to change without notice. Trademarks are the property of their respective owners.

cmbd76a1 ©2007 INFICON