

# VSC150

## Vacuum Switch

The INFICON Vacuum Switch VSC150 is an absolute pressure switch with an adjustable electrical switching contact from 0.5 to 2000 mbar. The mechanical design allows a short term overload of 3000 mbar without impairing the switching accuracy of  $\pm 0.1$  mbar. INFICON offers customer specific adjustment of pressure switch.



### ADVANTAGES

- High switching accuracy ( $\pm 0.1$  mbar)
- Stable long term operating characteristics
- Rugged, corrosion protected design
- Increased switching capability when using switching amplifier
- Switching contacts (normally closed) in the reference chamber and thus protected against process media
- Adapter available for differential pressure measurement

### APPLICATIONS

- Pressure switch or differential pressure switch to controll valves, pumps, power supplies
- Load lock chambers
- Process chambers

### ORDERING INFORMATION

<b>Type</b>	<b>VSC150</b>
DN 16 ISO-KF	<b>399-005</b>

### ACCESSORIES

SV Switching Amplifier	<b>399-008</b>
Pressure Switch Adjustment	<b>399-006</b>
Differential Pressure Adapter	<b>399-007</b>

## SPECIFICATIONS

<b>VSC150 Vacuum Switch</b>		
Switching range	mbar	0.5 ... 2000
Response sensitivity	mbar	0.1
Overload limit	mbar	3000
Switching hysteresis	mbar	0.5
<b>Temperature</b>		
Operation (ambient)	°C	5 ... 90
Storage	°C	-20 ... 70
Bakeout (max. 8 h)	°C	120
Coefficient of switch point	%/K of switching value	0.4
Vacuum connection		DN 16 ISO-KF
Electrical connection		Protected plug (DIN 43650)
<b>Switch</b>		
Switching voltage	V	24
Switching current	mA	10
Contact resistance	Ω	1
Protection category		IP 65
<b>Materials in contact with the medium</b>		
Sensing volume		Stainless steel 1.4301, 1.4401, 1.4310, 1.3541, FPM75
Reference volume		Stainless steel 1.4301, 1.4401, 1.3541, glass, gold
Sensing volume <sup>1)</sup>	cm <sup>3</sup>	≈4
Reference volume	cm <sup>3</sup>	≈20
Weight	kg	1.3

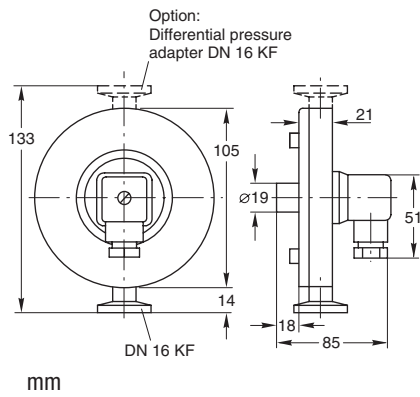
<sup>1)</sup> Including connection port.

## SPECIFICATIONS

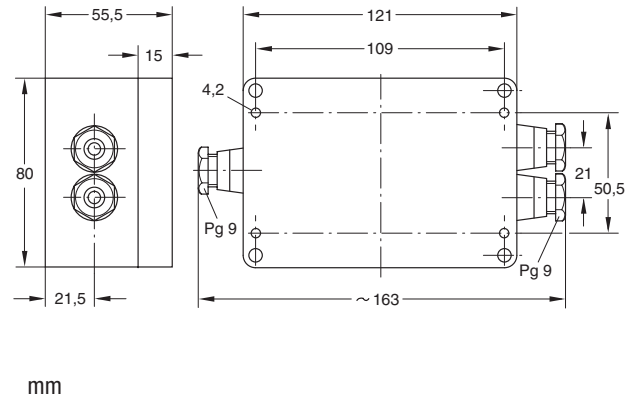
<b>SV Switching Amplifier</b>		
Mains supply (selectable)	V	110 ... 130, 220 ... 240
Mains frequency	Hz	50 / 60
Power consumption	VA	3
<b>Output relay</b>		
Switching voltage	V	250
Switching current	A	5
Switching capacity	VA	500
Response time	ms	30
Release time	ms	7
Control circuit	V / mA	24 / 10
Operation temperature	°C	5 ... 50
Weight	kg	0.36

## DIMENSIONS

### VSC150 Vacuum Switch



### SV Switching Amplifier



**INFICON** Instruments for Intelligent Control™

#### GLOBAL HEADQUARTERS:

Two Technology Place, East Syracuse, NY 13057 USA  
Tel: +1.315.434.1100 Fax: +1.315.437.3803 E-mail: reachus@inficon.com

UNITED STATES FRANCE GERMANY LIECHTENSTEIN SWITZERLAND UNITED KINGDOM CHINA JAPAN KOREA SINGAPORE TAIWAN

Visit our website for contact information and other sales offices worldwide. [www.inficon.com](http://www.inficon.com)  
Due to our continuing program of product improvements, specifications are subject to change without notice.  
tiba32e1 (2005-10) ©2005 INFICON