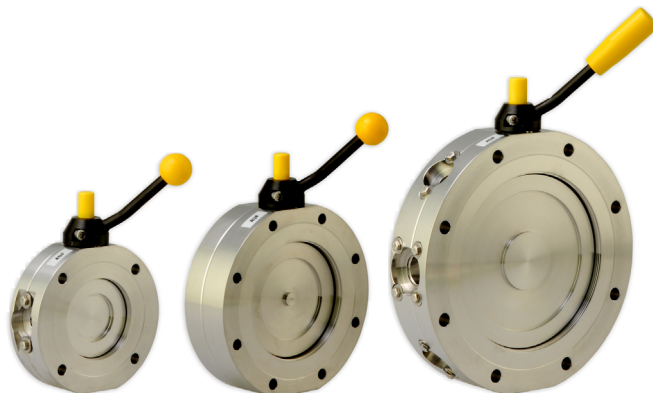


# VBH063 ... 160-X

## Butterfly Valves Manually actuated

### ADVANTAGES

- Three sizes available: DN 63, 100, 160
- Robust and compact design with low installation height
- High conductance all stainless steel housings
- Lateral gauge/valve flange connections standard
- FPM sealings
- Extremely long service lifetime



### SELECTION DATA

Vacuum connection	DN 63 ISO-F	DN 100 ISO-F	DN 160 ISO-F
-------------------	-------------	--------------	--------------

### ORDERING INFORMATION

<b>Type</b>	<b>VBH063-X</b>	<b>VBH100-X</b>	<b>VBH160-X</b>
	<b>250-560</b>	<b>250-570</b>	<b>250-580</b>

### SPECIFICATIONS

Lateral vacuum connections		DN 10 ISO-KF DN 16 ISO-KF	2 x DN 10 ISO-KF DN 25 ISO-KF	2 x DN 10 ISO-KF DN 25 ISO-KF
Cycle life	Cycles	100'000	100'000	100'000
Conductance for molecular flow	l/s	350	1000	3400
Tightness	mbar l/s	$1 \times 10^{-9}$	$1 \times 10^{-9}$	$1 \times 10^{-9}$
Pressure in either direction				
Static min. / max.	mbar / bar	$1 \times 10^{-8}$ / 10	$1 \times 10^{-8}$ / 10	$1 \times 10^{-8}$ / 10
Dynamic min. / max	mbar / bar	$1 \times 10^{-8}$ / 4	$1 \times 10^{-8}$ / 4	$1 \times 10^{-8}$ / 4
Pressure difference $\Delta p$				
In either direction	bar	4	4	4
Bakeout temperature housing	°C	150	150	150
Housing, shaft, valve plate	AISI / DIN	304 / 1.4301	304 / 1.4301	304 / 1.4301
Seals		FPM	FPM	FPM
Weight	kg	3.1	5.2	9.3

## SPARE PARTS

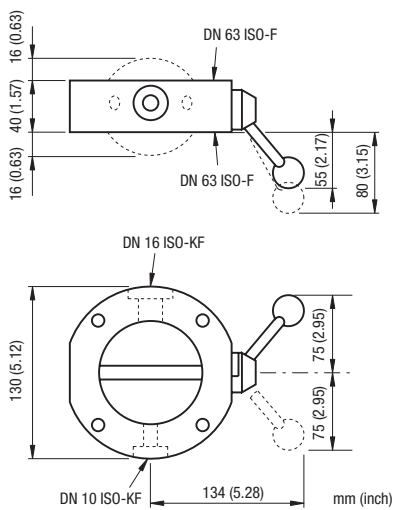
	VBH063	VBH100	VBH160
Seal kit			
X type	215-143	215-145	215-147

## ACCESSORIES

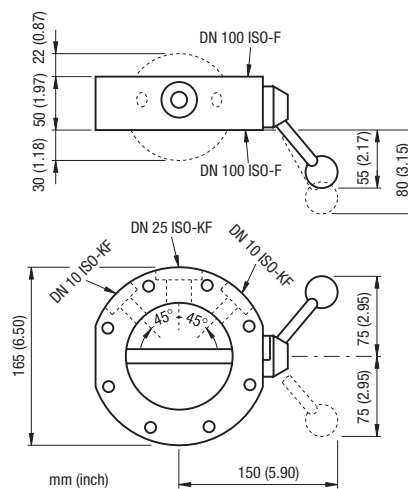
	VBH063	VBH100	VBH160
Connection elements			
X type	215-212	215-214	215-216

## DIMENSIONS

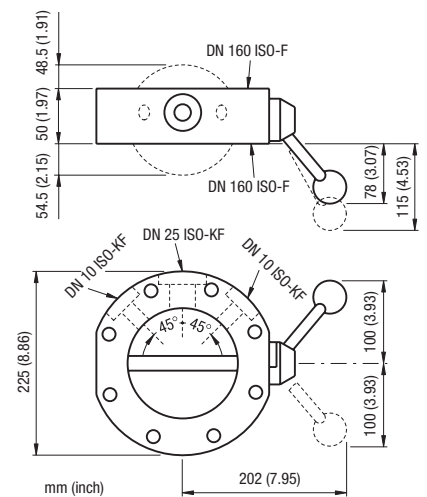
VBH063-X



VBH100-X



VBH160-X



**GLOBAL HEADQUARTERS:**

Two Technology Place, East Syracuse, NY 13057 USA  
 Tel: +1.315.434.1100 Fax: +1.315.437.3803 E-mail: reachus@inficon.com

UNITED STATES FRANCE GERMANY LIECHTENSTEIN SWITZERLAND UNITED KINGDOM CHINA JAPAN KOREA SINGAPORE TAIWAN

Visit our website for contact information and other sales offices worldwide. [www.inficon.com](http://www.inficon.com)  
 Due to our continuing program of product improvements, specifications are subject to change without notice.  
 siba43e1 (2007-04) ©2007 INFICON Inc.