

VSA016-X

Pressure Relief Valve

ADVANTAGES

- Protects vacuum systems from pressure >1.5bar
- Relief trigger point 1.2 to 1.5 bar absolute



SELECTION DATA

Vacuum connection	DN 16 ISO-KF
-------------------	--------------

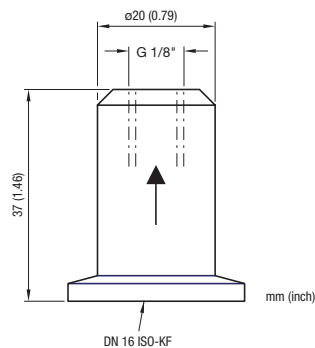
ORDERING INFORMATION

Type	VSA016-X
Part No.	250-555

SPECIFICATIONS

Tightness	mbar l/s	1×10^{-9}
Pressure absolute min./max.	mbar / bar	1×10^{-8} / 1.2 (absolute)
Gas flow	l/min	0 – 6
Ambient temperature	°C	0 – 50
Bakeout temperature	°C	150
Housing		stainless steel
Seal		FPM
Weight	kg	0.1

DIMENSIONS





GLOBAL HEADQUARTERS:

Two Technology Place, East Syracuse, NY 13057 USA
Tel: +1.315.434.1100 Fax: +1.315.437.3803 E-mail: reachus@inficon.com

UNITED STATES FRANCE GERMANY LIECHTENSTEIN SWITZERLAND UNITED KINGDOM CHINA JAPAN KOREA SINGAPORE TAIWAN

Visit our website for contact information and other sales offices worldwide. www.inficon.com
Due to our continuing program of product improvements, specifications are subject to change without notice.
siba35e1 (2004-05) ©2003 INFICON Inc.