

# VIM010-A

## Power Failure Venting Valve

### ADVANTAGES

- For automatic venting of pumps, system or vacuum chambers in case of a power failure



### SELECTION DATA

Vacuum connection	DN 10 ISO-KF
Venting time for a 50 l vessel	270 s

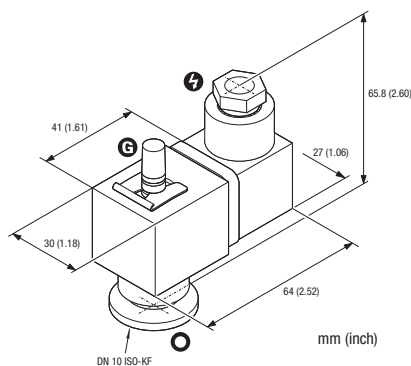
### ORDERING INFORMATION

<b>Type</b>	<b>VIM010-A</b>
200 - 230 V, 50/60 Hz	<b>250-851</b>
24 V DC	<b>250-850</b>
115 V, 50/60 Hz	<b>250-852</b>

### SPECIFICATIONS

Part number		250-850	250-851	250-852
Tightness	mbar l/s		$1 \times 10^{-7}$	
Ambient temperature	°C		0 – 50	
Switching frequency	1/min		60	
Service life	Mio cycles		3	
Opening time	ms		30	
Closing time	ms		30	
Housing			aluminum	
Seal			FPM	
Nominal power				
Pickup	W / VA	2.5 / –	– / 5	– / 5
Holding	W / VA	2.5 / –	– / 3.7	– / 3.7
Protection class			IP 65	
Weight	kg		0.1	

### DIMENSIONS





**GLOBAL HEADQUARTERS:**

---

Two Technology Place, East Syracuse, NY 13057 USA  
Tel: +1.315.434.1100 Fax: +1.315.437.3803 E-mail: reachus@inficon.com

**UNITED STATES FRANCE GERMANY LIECHTENSTEIN SWITZERLAND UNITED KINGDOM CHINA JAPAN KOREA SINGAPORE TAIWAN**

Visit our website for contact information and other sales offices worldwide. [www.inficon.com](http://www.inficon.com)  
Due to our continuing program of product improvements, specifications are subject to change without notice.  
siba34e1 (2004-05) ©2003 INFICON Inc.