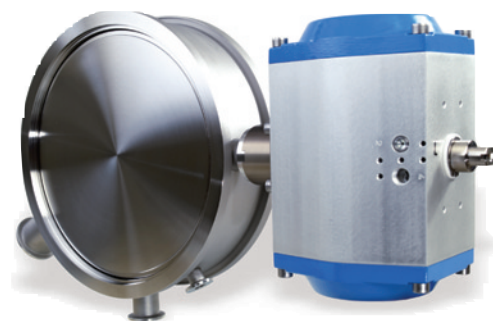


VBP250-X

Pneumatically Actuated Butterfly Valve

ADVANTAGES

- High conductance
- Compact design, low installation height
- With and without, gauge and valve connections



SELECTION DATA

	Housing with lateral connection flanges
Connection flange	DN 250 ISO-K
Lateral vacuum connections	DN 40 ISO-KF 2 x DN 10 ISO-KF DN 25 ISO-KF

ORDERING INFORMATION

Type	VBP250-X	
Valve without position indicator, without pilot valve	Part No.	250-630
Position indicator	Part No.	215-137
Pilot valve		
230 V / 50 Hz	Part No.	215-131
115 V / 50 Hz	Part No.	215-132
24 V / 50 Hz	Part No.	215-133
24 V DC	Part No.	215-134

SPECIFICATIONS

Service life	cycles	100 000
Tightness	mbar/l/s	1×10^{-9}
Conductance for air (molecular flow)	l/s	8200
Pressure min. / max.	mbar/bar	$10^{-8} / 4$
Differential pressure in either direction	bar	4
Ambient temperature	°C	
Housing	°C	150
Actuator	°C	80
Closing / opening time	s	2 / 5
Pickup / holding power	VA	10 / 6
Compressed air, overpressure	bar	5 - 9
Air cylinder volume	cm ³	700
Housing, valve plate, valve shaft	AlSi/DIN	stainless steel 304/1.4301
Seals		FPM
Weight	kg	15.7

ACCESSORIES

Claw grips

Part No.

3 x 212-225

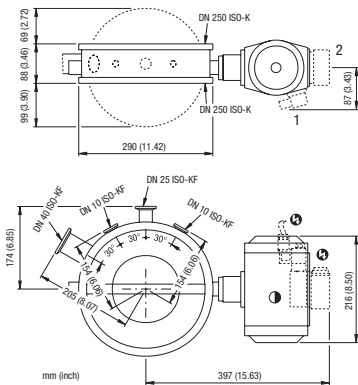
SPARE PARTS

Seal Set

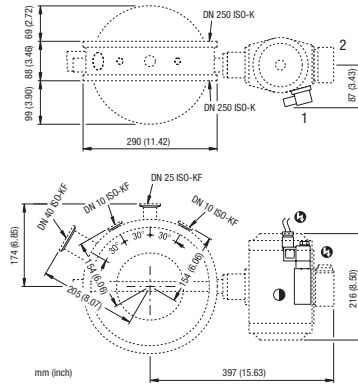
Part No.

215-149

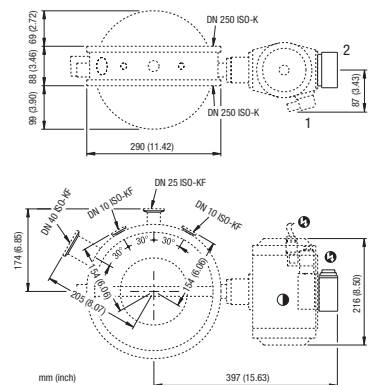
DIMENSIONS



VBP250-X Valve without pilot valve w/o position indicator



VBP250-X Valve with pilot valve



VBP250-X Valve with position indicator



GLOBAL HEADQUARTERS:

Two Technology Place, East Syracuse, NY 13057 USA
Tel: +1.315.434.1100 Fax: +1.315.437.3803 E-mail: reachus@inficon.com

UNITED STATES FRANCE GERMANY LIECHTENSTEIN SWITZERLAND UNITED KINGDOM CHINA JAPAN KOREA SINGAPORE TAIWAN

Visit our website for contact information and other sales offices worldwide. www.inficon.com
Due to our continuing program of product improvements, specifications are subject to change without notice.
siba24e1 (2004-05) ©2003 INFICON Inc.