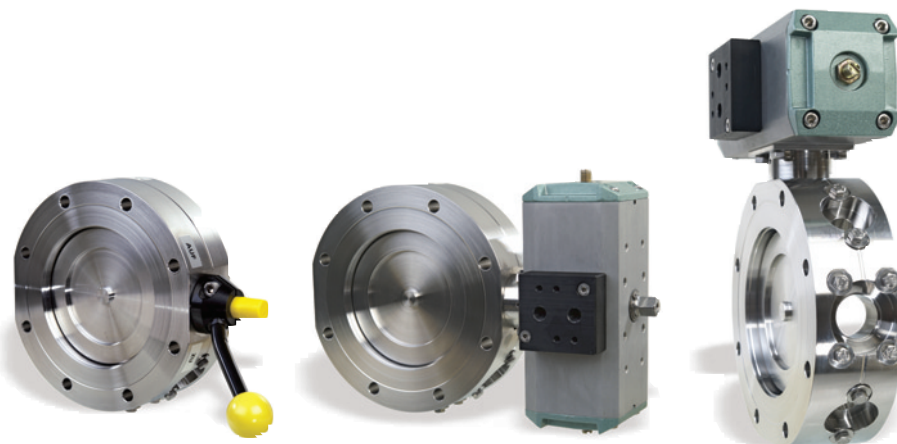


VBH160-X / VBP160-X/Z

Manually and Pneumatically Actuated Butterfly Valves

ADVANTAGES

- High conductance
- Compact design, low installation height
- With and without gauge and valve connections



SELECTION DATA MANUALLY ACTUATED

	Housing with lateral connection flanges	Housing without lateral connection flanges
Connection flange	DN 160 ISO-F	
Lateral vacuum connections	DN 25 ISO-KF 2 x DN 10 ISO-KF	

ORDERING INFORMATION MANUALLY ACTUATED

Type	VBH160-X
Part No.	250-580

SPECIFICATIONS

Service life	cycles	500 000
Tightness	mbar/ls	1×10^{-9}
Conductance for air (molecular flow)	l/s	3400
Pressure min. / max.	mbar/bar	10^{-8} / 4
Differential pressure in either direction	bar	4
Bakeout temperature: housing	°C	150
Housing, valve plate, valve shaft	AISI/DIN	stainless steel 304/1.4301
Seals		FPM
Weight	kg	10.6

SELECTION DATA PNEUMATICALLY ACTUATED

	Housing with lateral connection flanges	Housing without lateral connection flanges
Connection flange	DN 160 ISO-F	DN 160 ISO-F
Lateral vacuum connections	DN 25 ISO-KF 2 x DN 10 ISO-KF	

ORDERING INFORMATION PNEUMATICALLY ACTUATED

Type		VBP160-X	VBP160-Z
Valve without position indicator, without pilot valve	Part No.	250-620	250-625
Position indicator	Part No.	215-136	215-136
Pilot valve			
230 V / 50 Hz	Part No.	215-131	215-131
115 V / 50 Hz	Part No.	215-132	215-132
24 V / 50 Hz	Part No.	215-133	215-133
24 V DC	Part No.	215-134	215-134

SPECIFICATIONS

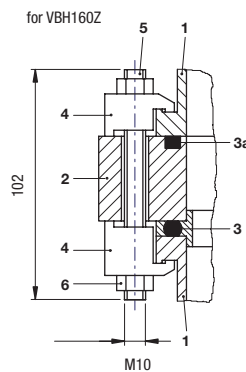
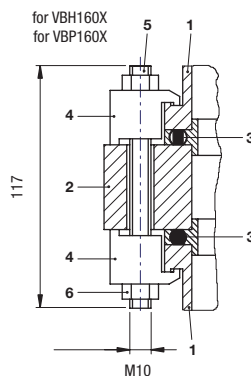
Service life	cycles	500 000	500 000
Tightness	mbar/ls	1×10^{-9}	1×10^{-9}
Conductance for air (molecular flow)	l/s	3400	4000
Pressure min. / max.	mbar/bar	10^{-8} / 4	10^{-8} / 4
Differential pressure in either direction	bar	4	4
Ambient temperature	°C		
Housing	°C	150	150
Actuator	°C	80	80
Closing / opening time	s	0.5 / 0.5	0.5 / 0.5
Pickup / holding power	VA	10 / 6	10 / 6
Compressed air, overpressure	bar	4 ... 8	4 ... 8
Air cylinder volume	cm ³	130	130
Housing, valve plate, valve shaft	AISI/DIN	stainless steel 304/1.4301	stainless steel 304/1.4301
Seals		FPM	FPM
Weight	kg	11.6	9.5

ACCESSORIES

Set of connection elements	Part No.	215-216	215-217
----------------------------	----------	---------	---------

Connection Elements

- 1 ISO K-Flanges
- 2 Valve Housing
- 3 ISO seal (not included)
- 3a O-ring (included)
- 4 Claw grip
- 5 Threaded pin
- 6 Nut

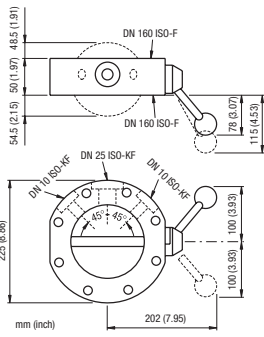


SPARE PARTS

Seal Set	Part No.	215-147	215-148
----------	----------	---------	---------

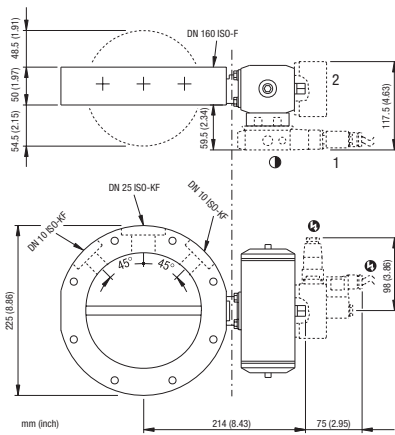
DIMENSIONS

Manually actuated

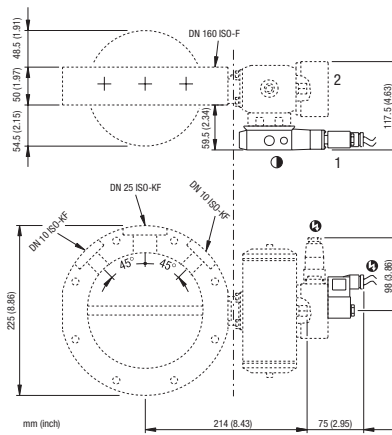


VBH160-X

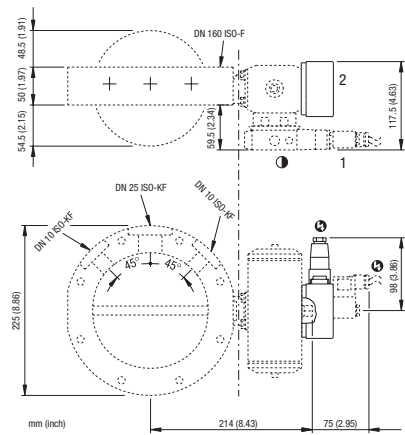
Pneumatically actuated



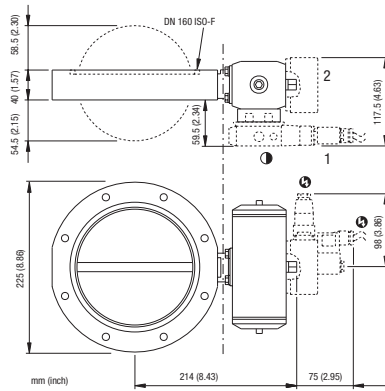
VBP160-X Valve without pilot valve w/o position indicator



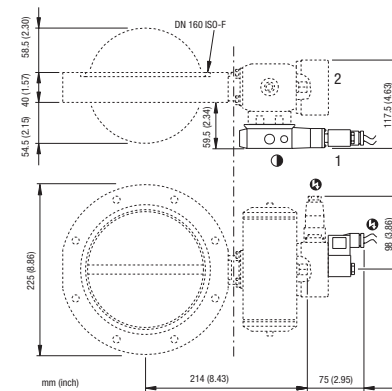
VBP160-X Valve with pilot valve



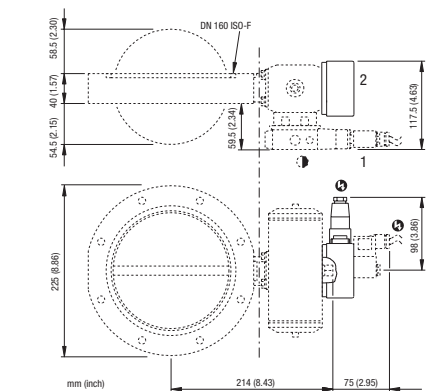
VBP160-X Valve with position indicator



VBP160-Z Valve without pilot valve w/o position indicator



VBP160-Z Valve with pilot valve



VBP160-Z Valve with position indicator



Instruments for Intelligent Control™

GLOBAL HEADQUARTERS:

Two Technology Place, East Syracuse, NY 13057 USA
Tel: +1.315.434.1100 Fax: +1.315.437.3803 E-mail: reachus@inficon.com

UNITED STATES FRANCE GERMANY LIECHTENSTEIN SWITZERLAND UNITED KINGDOM CHINA JAPAN KOREA SINGAPORE TAIWAN

Visit our website for contact information and other sales offices worldwide. www.inficon.com
Due to our continuing program of product improvements, specifications are subject to change without notice.
siba23e1-a (2005-04) ©2003 INFICON Inc.