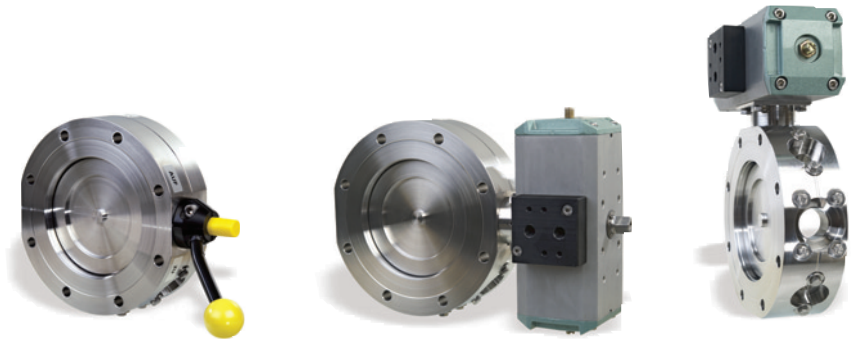


# VBH100-X / VBP100-X/Z

## Manually and Pneumatically Actuated Butterfly Valves

### ADVANTAGES

- High conductance
- Compact design, low installation height
- With and without, gauge and valve connections



### SELECTION DATA MANUALLY ACTUATED

	Housing with lateral connection flanges	Housing without lateral connection flanges
Connection flange	DN 100 ISO-F	
Lateral vacuum connections	DN 25 ISO-KF 2 x DN 10 ISO-KF	

### ORDERING INFORMATION MANUALLY ACTUATED

Type	<b>VBH100-X</b>	
Part No.	<b>250-570</b>	

### SPECIFICATIONS

Service life	cycles	100 000	
Tightness	mbar/s	$1 \times 10^{-9}$	
Conductance for air (molecular flow)	l/s	1000	
Pressure min. / max.	mbar/bar	$10^{-8}$ / 4	
Differential pressure in either direction	bar	4	
Bakeout temperature: housing	°C	150	
Housing, valve plate, valve shaft	AISI/DIN	stainless steel 304/1.4301	
Seals		FPM	
Weight	kg	10.6	

## SELECTION DATA PNEUMATICALLY ACTUATED

	Housing with lateral connection flanges	Housing without lateral connection flanges
Connection flange	DN 100 ISO-F	DN 100 ISO-F
Lateral vacuum connections	DN 25 ISO-KF 2 x DN 10 ISO-KF	

## ORDERING INFORMATION PNEUMATICALLY ACTUATED

Type		VBP100-X	VBP100-Z
Valve without position indicator, without pilot valve		<b>250-610</b>	<b>250-615</b>
Position indicator	Part No.	<b>215-136</b>	<b>215-136</b>
Pilot valve			
230 V / 50 Hz	Part No.	<b>215-131</b>	<b>215-131</b>
115 V / 50 Hz	Part No.	<b>215-132</b>	<b>215-132</b>
24 V / 50 Hz	Part No.	<b>215-133</b>	<b>215-133</b>
24 V DC	Part No.	<b>215-134</b>	<b>215-134</b>

## SPECIFICATIONS

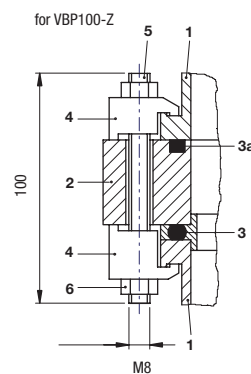
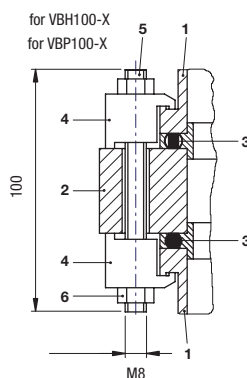
Service life	cycles	100 000	100 000
Tightness	mbar/ls	$1 \times 10^{-9}$	$1 \times 10^{-9}$
Conductance for air (molecular flow)	l/s	1000	1400
Pressure min. / max.	mbar/bar	$10^{-8} / 4$	$10^{-8} / 4$
Differential pressure in either direction	bar	4	4
Ambient temperature	°C		
Housing		150	150
Actuator	°C	80	80
Closing / opening time	s	0.5/0.5	0.5/0.5
Pickup / holding power	VA	10 / 6	10 / 6
Compressed air, overpressure	bar	4-8	4-8
Air cylinder volume	cm <sup>3</sup>	130	130
Housing, valve plate, valve shaft	AISI/DIN	stainless steel 304/1.4301	stainless steel 304/1.4301
Seals		FPM	FPM
Weight	kg	6.5	4.9

## ACCESSORIES

Set of connection elements	Part No.	<b>215-214</b>	<b>215-215</b>
----------------------------	----------	----------------	----------------

### Connection Elements

- 1 ISO K-Flanges
- 2 Valve Housing
- 3 ISO seal (not included)
- 3a O-ring (included)
- 4 Claw grip
- 5 Threaded pin
- 6 Nut

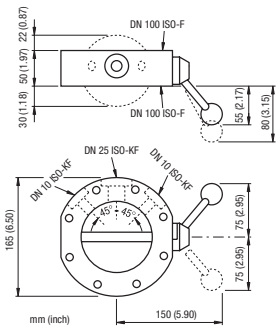


## SPARE PARTS

Seal Set	Part No.	<b>215-145</b>	<b>215-246</b>
----------	----------	----------------	----------------

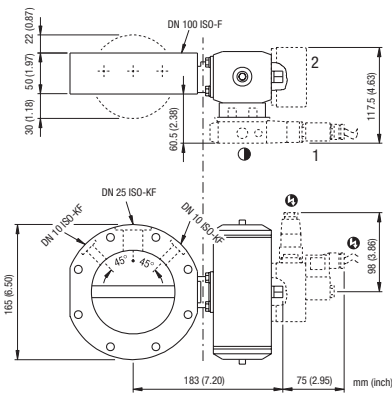
# DIMENSIONS

## Manually actuated

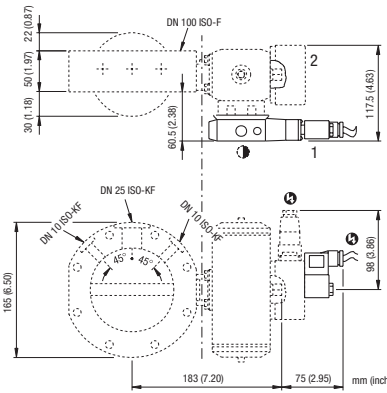


**VBH100-X**

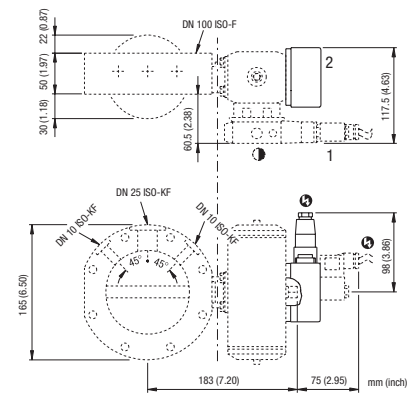
## Pneumatically actuated



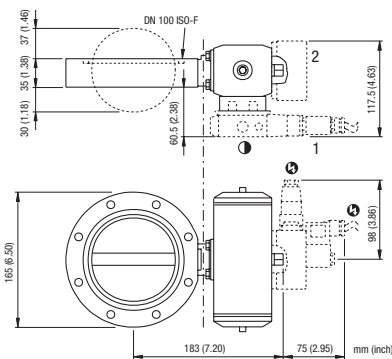
**VBP100-X** Valve without pilot valve w/o position indicator



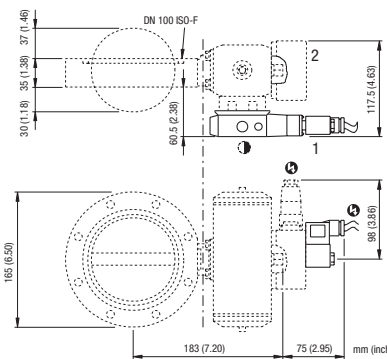
**VBP100-X** Valve with pilot valve



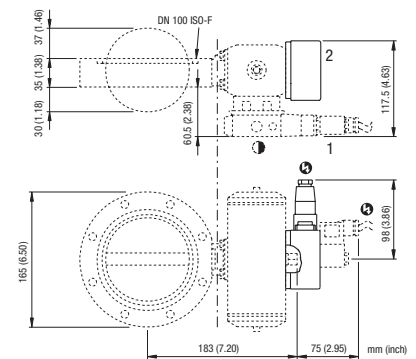
**VBP100-X** Valve with position indicator



**VBP100-Z** Valve without pilot valve w/o position indicator



**VBP100-Z** Valve with pilot valve



**VBP100-Z** Valve with position indicator



**GLOBAL HEADQUARTERS:**

Two Technology Place, East Syracuse, NY 13057 USA  
 Tel: +1.315.434.1100 Fax: +1.315.437.3803 E-mail: reachus@inficon.com

UNITED STATES FRANCE GERMANY LIECHTENSTEIN SWITZERLAND UNITED KINGDOM CHINA JAPAN KOREA SINGAPORE TAIWAN

Visit our website for contact information and other sales offices worldwide. [www.inficon.com](http://www.inficon.com)  
 Due to our continuing program of product improvements, specifications are subject to change without notice.  
 siba22e1 (2004-05) ©2003 INFICON Inc.