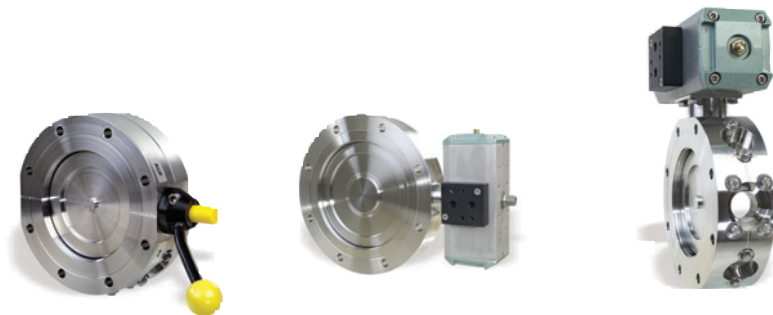


VBH063-X / VBPO63-X/Z

Manually and Pneumatically Actuated Butterfly Valves

ADVANTAGES

- High conductance
- Compact design, low installation height
- With or without gauge and valve connections



SELECTION DATA MANUALLY ACTUATED

	Housing with lateral connection flanges	Housing without lateral connection flanges
Connection flange	DN 63 ISO-F	
Lateral vacuum connections	DN 16 ISO-KF DN 10 ISO-KF	

ORDERING INFORMATION MANUALLY ACTUATED

Type	VBH063-X
Part No.	250-560

SPECIFICATIONS

Service life	cycles	100 000
Tightness	mbar/s	1×10^{-9}
Conductance for air (molecular flow)	l/s	350
Pressure min. / max.	mbar/bar	10^{-8} / 4
Differential pressure in either direction	bar	4
Bakeout temperature: housing	°C	150
Housing, valve plate, valve shaft	AISI/DIN	stainless steel 304/1.4301
Seals		FPM
Weight	kg	3.1

SELECTION DATA PNEUMATICALLY ACTUATED

	Housing with lateral connection flanges	Housing without lateral connection flanges
Connection flange	DN 63 ISO-F	DN 63 ISO-F
Lateral vacuum connections	DN 16 ISO-KF DN 10 ISO-KF	

ORDERING INFORMATION PNEUMATICALLY ACTUATED

Type		VBP063-X	VBP063-Z
Valve without position indicator without pilot valve		250-600	250-605
Position indicator	Part No.	215-135	215-135
Pilot valve			
230 V / 50 Hz	Part No.	215-131	215-131
115 V / 50 Hz	Part No.	215-132	215-132
24 V / 50 Hz	Part No.	215-133	215-133
24 V DC	Part No.	215-134	215-134

SPECIFICATIONS

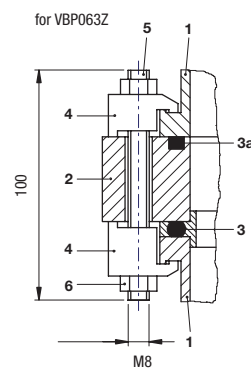
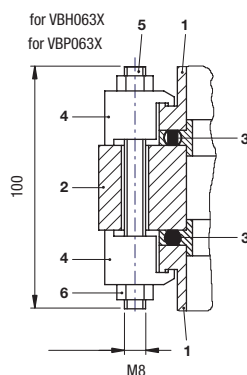
Service life	cycles	100 000	100 000
Tightness	mbar/ls	1×10^{-9}	1×10^{-9}
Conductance for air (molecular flow)	l/s	350	400
Pressure min. / max.	mbar/bar	10^{-8} / 4	10^{-8} / 4
Differential pressure in either direction	bar	4	4
Ambient temperature	°C		
Housing	°C	150	150
Actuator	°C	80	80
Closing / opening time	s	0.5/0.5	0.5/0.5
Pickup / holding power	VA	10 / 6	10 / 6
Compressed air, overpressure	bar	4-8	4-8
Air cylinder volume	cm ³	50	50
Housing, valve plate, valve shaft	AISI/DIN	stainless steel 304/1.4301	stainless steel 304/1.4301
Seals		FPM	FPM
Weight	kg	3.8	3.5

ACCESSORIES

Set of connection elements	Part No.	215-212	215-213
----------------------------	----------	---------	---------

Connection Elements

- 1 ISO K-Flanges
- 2 Valve Housing
- 3 ISO seal (not included)
- 3a O-ring (included)
- 4 Claw grip
- 5 Threaded pin
- 6 Nut

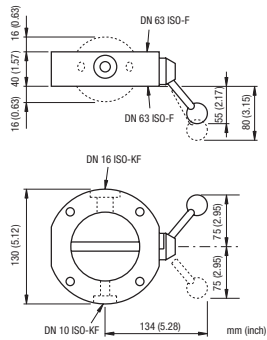


SPARE PARTS

Seal Set	Part No.	215-143	215-213
----------	----------	---------	---------

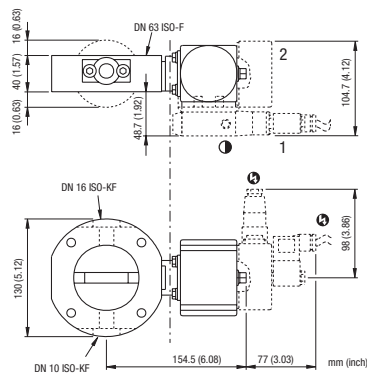
DIMENSIONS

Manually actuated

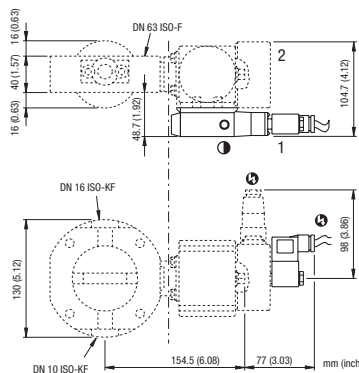


VBH063-X

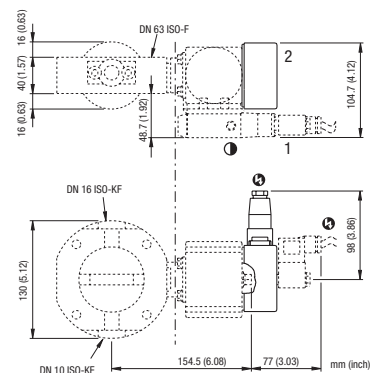
Pneumatically actuated



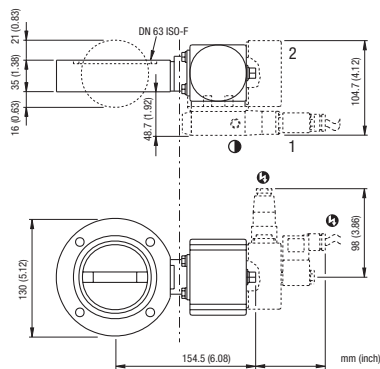
VBP063-X Valve without pilot valve w/o position indicator



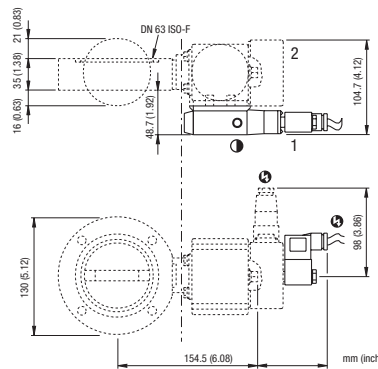
VBP063-X Valve with pilot valve



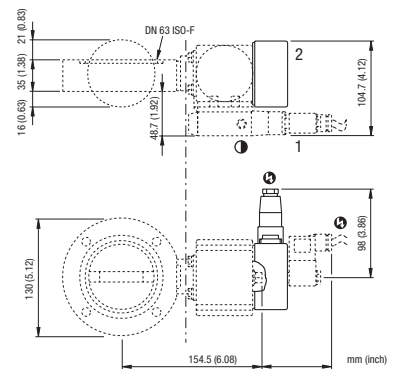
VBP063-X Valve with position indicator



VBP063-Z Valve without pilot valve w/o position indicator



VBP063-Z Valve with pilot valve



VBP063-Z Valve with position indicator



GLOBAL HEADQUARTERS:

Two Technology Place, East Syracuse, NY 13057 USA
Tel: +1.315.434.1100 Fax: +1.315.437.3803 E-mail: reachus@inficon.com

UNITED STATES FRANCE GERMANY LIECHTENSTEIN SWITZERLAND UNITED KINGDOM CHINA JAPAN KOREA SINGAPORE TAIWAN

Visit our website for contact information and other sales offices worldwide. www.inficon.com
Due to our continuing program of product improvements, specifications are subject to change without notice.
siba21e1 (2004-05) ©2003 INFICON Inc.