

## DN 250

# Pneumatically Actuated Angle Valve ( VAP )

### ADVANTAGES

- Visual indication for open and closed position
- Electrical position indicator for open and closed position
- Bellows feedthrough
- High conductance



### SELECTION DATA

Angle valve		DN 250 ISO-K
Housing material	AISI /DIN	304/1.4301

### ORDERING INFORMATION

Type		<b>VAP250-X</b>
Valve without coil	Part No.	<b>250-800</b>
Coil		
230 V, 50 Hz	Part No.	<b>215-804</b>
115 V, 60 Hz	Part No.	<b>215-809</b>
24 V, 50 Hz	Part No.	<b>215-814</b>
24 V DC	Part No.	<b>215-819</b>

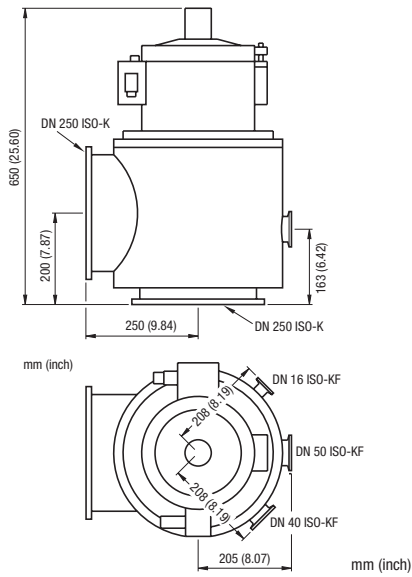
### SPECIFICATIONS

Service life	cycles	1 000 000
Tightness	mbar l/s	$1 \times 10^{-9}$
Conductance for molecular flow	l/s	2700
Pressure min./max.	mbar/bar	$10^{-7} / 2$
Differential pressure in either direction	bar	1
Opening / closing time	s	6 / 6
Compressed air, overpressure	bar	4 - 8
Compressed air cylinder volume	cm <sup>3</sup>	2100
Weight	kg	66

### SPARE PARTS

Seal set	Part No.	<b>215-375</b>
Bellows set	Part No.	<b>215-385</b>

## DIMENSIONS



### GLOBAL HEADQUARTERS:

Two Technology Place, East Syracuse, NY 13057 USA  
Tel: +1.315.434.1100 Fax: +1.315.437.3803 E-mail: reachus@inficon.com

UNITED STATES FRANCE GERMANY LIECHTENSTEIN SWITZERLAND UNITED KINGDOM CHINA JAPAN KOREA SINGAPORE TAIWAN

Visit our website for contact information and other sales offices worldwide. [www.inficon.com](http://www.inficon.com)  
Due to our continuing program of product improvements, specifications are subject to change without notice.  
siba20e1 (2004-05) ©2003 INFICON Inc.