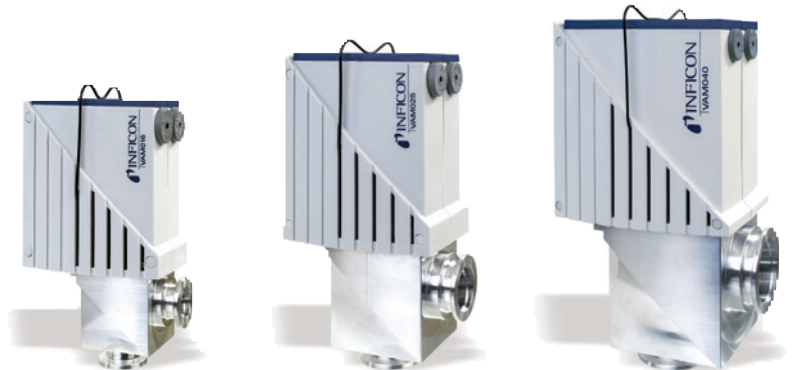


DN 16-40

Solenoid Actuated Angle Valves with ISO-KF Flanges (VAM)

ADVANTAGES

- Bellows feedthrough
- High conductance
- Compact design
- Electrical and visual (LED) position indication
- Selectable operating mode
Remote control via PLC or PC
Local operation
- Wide voltage range



SELECTION DATA

Vacuum connection		DN 16 ISO-KF	DN 16 ISO-KF	DN 25 ISO-KF	DN 25 ISO-KF	DN 40 ISO-KF	DN 40 ISO-KF
Housing material		aluminum	stainless steel	aluminum	stainless steel	aluminum	stainless steel
	AISI / DIN	3.2374	304/1.4304	3.2374	304/1.4304	3.2374	04/1.4304

ORDERING INFORMATION

Type	VAM016-A	VAM016-X	VAM025-A	VAM025-X	VAM040-A	VAM040-X
Part No.	250-661	250-666	250-671	250-676	250-681	250-686

SPARE PARTS

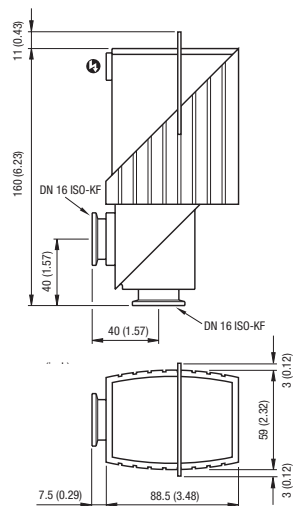
Seal set	Part. No.	215-029	215-029	215-079	215-079	215-129	215-129
Bellows set	Part No.	215-032	215-032	215-082	215-082	215-122	215-122

SPECIFICATIONS

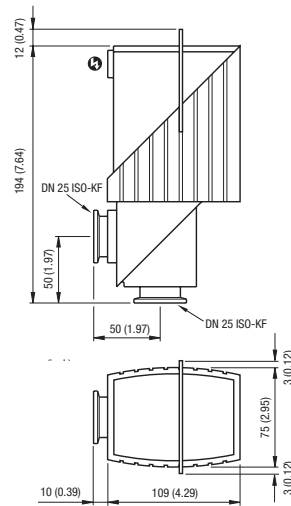
		VAM016-A	VAM016-X	VAM025-A	VAM025-X	VAM040-A	VAM040-X
Service life	cycles	2 000 000	2 000 000	2 000 000	2 000 000	2 000 000	2 000 000
Conductance for molecular flow	l/s	3	3	12	12	32	32
Tightness	mbar l/s	1 x 10 ⁻⁹	1 x 10 ⁻⁹	1 x 10 ⁻⁹	1 x 10 ⁻⁹	1 x 10 ⁻⁹	1 x 10 ⁻⁹
Pressure (absolute) min. / max	mbar	10 ⁻⁹ / 1300	10 ⁻⁹ / 1300	10 ⁻⁹ / 1300	10 ⁻⁹ / 1300	10 ⁻⁹ / 1300	10 ⁻⁹ / 1300
Differential pressure in closing, opening direction	bar	1.3	1.3	1.3	1.3	1.3	1.3
Opens to a pressure difference of	bar	1.3	1.3	1.3	1.3	1.3	1.3
Ambient temperature	°C	0 – 50	0 – 50	0 – 50	0 – 50	0 – 50	0 – 50
Bakeout temperature							
Housing	°C	120	120	120	120	120	120
Actuator, idle	°C	50	50	50	50	50	50
Supply voltage	V / Hz	80 – 250 / 50/60					
Pickup / holding current	A	5.2 / 0.7	5.2 / 0.7	5.3 / 0.7	5.3 / 0.7	4.8 / 0.7	4.8 / 0.7
Power consumption	W	400	400	400	400	400	400
Closing / opening time	ms	100 / 240	100 / 240	120 / 240	120 / 240	230 / 700	230 / 700
Closing delay	ms	50	50	170	170	500	500
Switching frequency at							
40°C	1/min	30	30	30	30	30	30
50°C	1/min	20	20	20	20	20	20
Supply	V DC / mA	15 - 30 / 3 - 5	15 - 30 / 3 - 5	15 - 30 / 3 - 5	15 - 30 / 3 - 5	15 - 30 / 3 - 5	15 - 30 / 3 - 5
Pickup power	V DC / mA	15 - 30 / 100	15 - 30 / 100	15 - 30 / 100	15 - 30 / 100	15 - 30 / 100	15 - 30 / 100
Bellocs		Stainless steel	Stainless steel	Stainless steel	Stainless steel	Stainless steel	Stainless steel
Protection		IP54	IP54	IP54	IP54	IP54	IP54
Mounting orientation		any	any	any	any	any	any
Seals		FPM	FPM	FPM	FPM	FPM	FPM
Weight	kg	1.3	1.45	2.2	2.9	4	5.4

DIMENSIONS

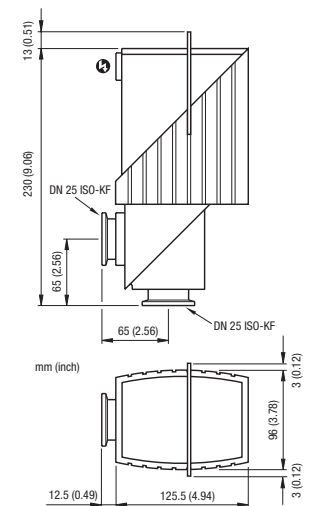
VAM016-A / VAM016-X



VAM025-A / VAM025-X



VAM040-A / VAM040-X



GLOBAL HEADQUARTERS:

Two Technology Place, East Syracuse, NY 13057 USA
Tel: +1.315.434.1100 Fax: +1.315.437.3803 E-mail: reachus@inficon.com

UNITED STATES FRANCE GERMANY LIECHTENSTEIN SWITZERLAND UNITED KINGDOM CHINA JAPAN KOREA SINGAPORE TAIWAN

Visit our website for contact information and other sales offices worldwide. www.inficon.com
Due to our continuing program of product improvements, specifications are subject to change without notice.
siba19e1 (2004-05) ©2003 INFICON Inc.