

## DN 16-63

### Manually Actuated Angle Valves with CF-Flanges ( VAH )

#### STANDARD

- For UHV and HV applications
- Bakeable at up to 180°C in open and closed position
- FPM sealed
- Maintenance-free

#### ALL-METAL

- For UHV applications
- Bakeable at up to 300°C in open and closed position
- Copper sealed
- Maintenance-free



#### SELECTION DATA

		STANDARD			ALL - METAL		
Vacuum connection		DN16 CF-R	DN40 CF-R	DN 63 CF-R	DN16 CF-R	DN40 CF-R	DN 63 CF-R
Tightness	mbar l/s	1 X 10 <sup>-10</sup>	1 X 10 <sup>-10</sup>	1 X 10 <sup>-10</sup>	5 X 10 <sup>-11</sup>	5 X 10 <sup>-11</sup>	5 X 10 <sup>-11</sup>
Bakeout temperature w/o hand wheel	°C	180	180	180	300	300	300

#### ORDERING INFORMATION

Type	VAH016-Z	VAH040-Z	VAH063-Z	VAH016-U	VAH040-U	VAH063-U
Part No.	250-731	250-736	250-741	250-730	250-735	250-740

#### SPECIFICATIONS

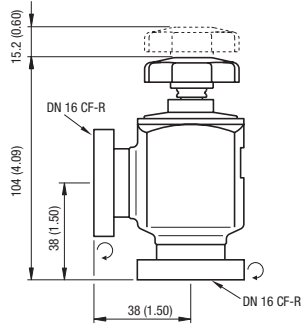
Service life	cycles	50 000	50 000	50 000	1000	1000	1000
Conductance for molecular flow	l/s	3	38	100	3	38	100
Pressure (absolute) min. / max.	mbar/bar	1 x 10 <sup>-9</sup> / 4	1 x 10 <sup>-9</sup> / 4	1 x 10 <sup>-9</sup> / 4	1 x 10 <sup>-10</sup> / 4	1 x 10 <sup>-10</sup> / 4	1 x 10 <sup>-10</sup> / 4
Tightening torque	Nm	≤ 1	≤ 1.8	≤ 2.5	8-10	20-40	30-60
Heating and cooling rate	°C/min	—	—	—	4	4	2
Bellows, stainless steel AISI/DIN		321/1.4541	321/1.4541	321/1.4541	321/1.4541	321/1.4541	321/1.4541
Housing, stainless steel AISI/DIN		304/1.4301 welded	304/1.4301 welded	304/1.4301 welded	304/1.4301 welded	304/1.4301 welded	304/1.4301 welded
Valve plate, seal		FPM	FPM	FPM	copper	copper	copper
Valve plate, stainless steel AISI/DIN		304/1.4301	304/1.4301	304/1.4301	304/1.4301	304/1.4301	304/1.4301
Weight	kg	0.35	1.8	4.8	0.4	2.0	5.0

#### SPARE PARTS

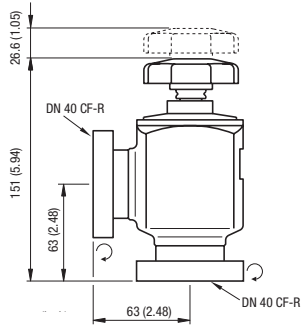
FPM seal, 10 pieces	Part No.	215-341	215-342	215-343	—	—	—
Copper seal, 2 pieces	Part No.	—	—	—	215-344	215-345	215-346

# DIMENSIONS

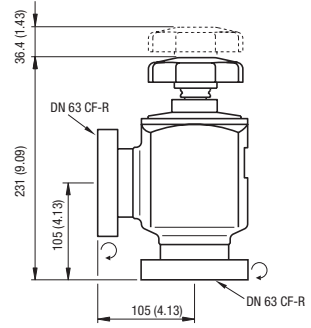
VAH016-Z



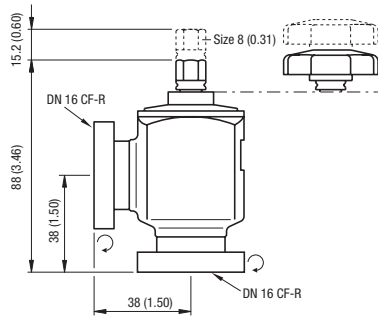
VAH040-Z



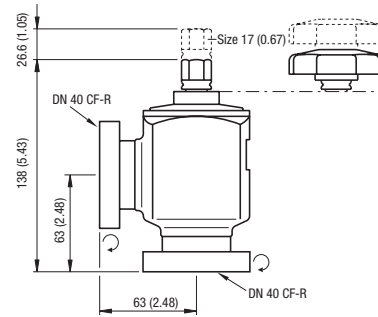
VAH063-Z



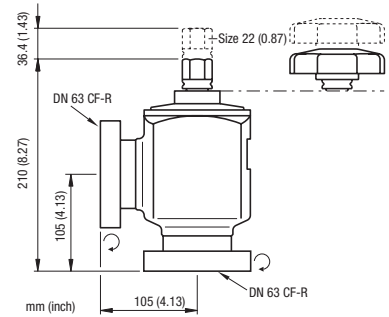
VAH016-U



VAH040-U



VAH063-U



**GLOBAL HEADQUARTERS:**

Two Technology Place, East Syracuse, NY 13057 USA  
 Tel: +1.315.434.1100 Fax: +1.315.437.3803 E-mail: reachus@inficon.com

UNITED STATES FRANCE GERMANY LIECHTENSTEIN SWITZERLAND UNITED KINGDOM CHINA JAPAN KOREA SINGAPORE TAIWAN

Visit our website for contact information and other sales offices worldwide. [www.inficon.com](http://www.inficon.com)  
 Due to our continuing program of product improvements, specifications are subject to change without notice.  
 siba18e1-a (2005-04) ©2005 INFICON Inc.