

DN 25

Angle and Inline Valves (VAH, VIH, VAP, VIP)

MANUALLY ACTUATED

- Bellows feedthrough
- Quick opening with 130° turn
- Soft start in four steps

PNEUMATICALLY ACTUATED

- Bellows feedthrough
- Visual indication of the open and closed position
- Electrical position indicator for open and closed position
- For system manufacturers - without pilot valve, without position indicator
- Extremely long service life



SELECTION DATA

Angle valve		DN 25 ISO-KF	DN 25 ISO-KF	—
Inline valve		—	—	DN 25 ISO-KF
Housing material	AISI/DIN	aluminum -/3.2373	stainless steel 304/1.4301	stainless steel 304/1.4301

ORDERING INFORMATION MANUALLY ACTUATED

Type		VAH025-A	VAH025-X	VIH025-X
Angle valve	Part No.	250-270	250-275	—
Inline valve	Part No.	—	—	250-375

SPARE PARTS

Seal set		215-075	215-075	215-075
Bellows set for manually actuated valves		215-092	215-092	215-092

SPECIFICATIONS MANUALLY ACTUATED

Service life	Mio cycles	10	10	10
Conductance for molecular flow	l/s	16	16	16
Tightness	mbar l/s	1 x 10 ⁻⁹	1 x 10 ⁻⁹	1 x 10 ⁻⁹
Pressure, absolute, min. / max.	mbar / bar	10 ⁻⁸ / 2	10 ⁻⁸ / 2	10 ⁻⁸ / 2
Pressure resistance	bar (abs.)	6	6	6
Differential pressure in closing / opening direction	bar	2 / 2	2 / 2	2 / 2
Opens to a pressure difference of	bar	3	3	3
Ambient temperature	°C	0 – 50	0 – 50	0 – 50
Mounting orientation		any	any	any
Seals		FPM	FPM	FPM
Weight	kg	0.43	0.75	1.35

SELECTION DATA

Angle valve		DN 25 ISO-KF	DN 25 ISO-KF	—
Inline valve		—	—	DN 25 ISO-KF
Housing material	AISI/DIN	aluminum -/3.2373	stainless steel 304/1.4301	stainless steel 304/1.4301

ORDERING INFORMATION PNEUMATICALLY ACTUATED

Type	VAP025-A	VAP025-X	VIP025-X
Angle valve w/o pilot valve, w/o position indicator	250-291	250-295	—
Angle valve w/o pilot valve, with position indicator	250-204	250-296	—
Inline valve w/o pilot valve, with position indicator	250-224	250-234	—
Valve with pilot valve, with position indicator			
24 V DC	Part No. 250-220	250-230	250-330
24 V AC	Part No. 250-221	250-231	250-331
100 – 115 V AC	Part No. 250-222	250-232	250-332
200 – 240 V AC	Part No. 250-223	250-233	250-333
24 VDC, normally open	Part No. 250-226	250-236	250-336

SPARE PARTS

Seal set	215-075	215-075	215-075
Bellows set for pneumatically actuated valves	215-077	215-077	215-077

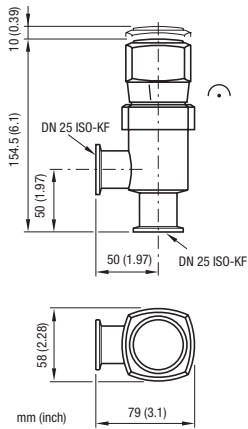
SPECIFICATIONS PNEUMATICALLY ACTUATED

Service life	Mio cycles	10	10	10
Conductance for molecular flow	l/s	16	16	8
Tightness	mbar l/s	1 x 10 ⁻⁹	1 x 10 ⁻⁹	1 x 10 ⁻⁹
Pressure, absolut, min. / max.	mbar / bar	10 ⁻⁸ / 2	10 ⁻⁸ / 2	10 ⁻⁸ / 2
Pressure resistance	bar (abs.)	4	4	4
Differential pressure in closing / opening direction	bar	4 / 2	4 / 2	4 / 2
Opens to a pressure difference of	bar	4	4	4
Ambient temperature	°C	0 – 50	0 – 50	0 – 50
Switching frequency		100 / min	100 / min	100 / min
Closing time	ms	290	290	290
Opening time	ms	110	110	110
Electrical position indicator, load capacity	VAC / A VDC / A	250 / 0.125 50 / 0.25	250 / 0.125 50 / 0.25	250 / 0.125 50 / 0.25
Compressed air, overpressure	bar	3 – 7 ¹⁾	3 – 7 ¹⁾	3 – 7 ¹⁾
Air cylinder volume	cm ³	12.1	12.1	12.1
Mounting orientation		any	any	any
Seals		FPM	FPM	FPM
Weight	kg	0.44	0.75	0.73

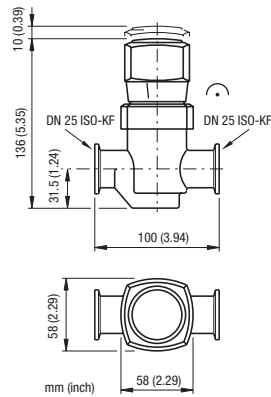
¹⁾ No-type 3-5 bar

DIMENSIONS MANUALLY ACTUATED

VAH025-A / VAH025-X

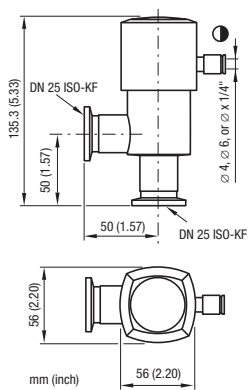


VIH025-X



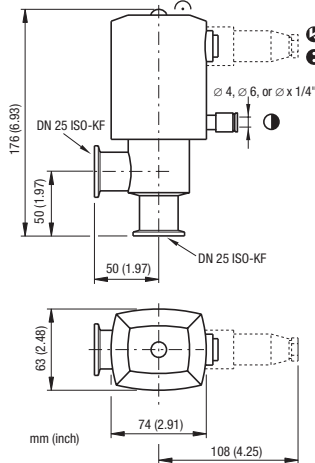
DIMENSIONS PNEUMATICALLY ACTUATED

VAP025-A / VAP025-X



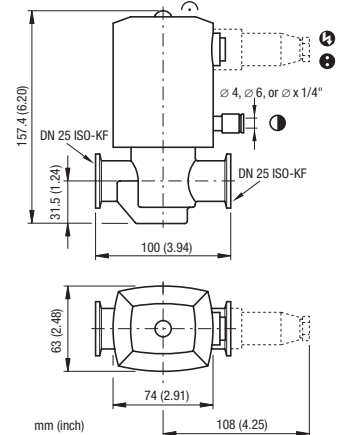
Angle valve w/o pilot valve,
without position indicator

VAP025-A / VAP025-X



Angle valve with and without pilot valve,
with position indicator

VIP025-X



Inline valve with and without
pilot valve, with position indicator



GLOBAL HEADQUARTERS:

Two Technology Place, East Syracuse, NY 13057 USA
Tel: +1.315.434.1100 Fax: +1.315.437.3803 E-mail: reachus@inficon.com

UNITED STATES FRANCE GERMANY LIECHTENSTEIN SWITZERLAND UNITED KINGDOM CHINA JAPAN KOREA SINGAPORE TAIWAN

Visit our website for contact information and other sales offices worldwide. www.inficon.com
Due to our continuing program of product improvements, specifications are subject to change without notice.
siba13e1 (2004-05) ©2003 INFICON Inc.