

DN 16

Angle and Inline Valves (VAH, VIH, VAP, VIP)

MANUALLY ACTUATED

- Bellows feedthrough
- Quick opening with 130° turn
- Soft start in four steps

PNEUMATICALLY ACTUATED

- Bellows feedthrough
- Visual indication of the open and closed position
- Electrical position indicator for open and closed position
- For system manufacturers - without pilot valve, without position indicator
- Extremely long service life



SELECTION DATA

| | | | | |
|------------------|----------|-------------------|----------------------------|----------------------------|
| Angle valve | | DN 16 ISO-KF | DN 16 ISO-KF | — |
| Inline valve | | — | — | DN 16 ISO-KF |
| Housing material | AISI/DIN | aluminum -/3.2373 | stainless steel 304/1.4301 | stainless steel 304/1.4301 |

ORDERING INFORMATION MANUALLY ACTUATED

| Type | | VAH016-A | VAH016-X | VIH016-X |
|--------------|----------|----------|----------|----------|
| Angle valve | Part No. | 250-260 | 250-265 | — |
| Inline valve | Part No. | — | — | 250-365 |

SPARE PARTS

| | | | | |
|--|--|---------|---------|---------|
| Seal set | | 215-025 | 215-025 | 215-025 |
| Bellows set for manually actuated valves | | 215-042 | 215-042 | 215-042 |

SPECIFICATIONS MANUALLY ACTUATED

| | | | | |
|--|------------|----------------------|----------------------|----------------------|
| Service life | Mio cycles | 10 | 10 | 10 |
| Conductance for molecular flow | l/s | 4.5 | 4.5 | 2.5 |
| Tightness | mbar l/s | 1 x 10 ⁻⁹ | 1 x 10 ⁻⁹ | 1 x 10 ⁻⁹ |
| Pressure, absolute, min. / max. | mbar / bar | 10 ⁻⁸ / 2 | 10 ⁻⁸ / 2 | 10 ⁻⁸ / 2 |
| Pressure resistance | bar (abs.) | 6 | 6 | 6 |
| Differential pressure in closing / opening direction | bar | 2 / 2 | 2 / 2 | 2 / 2 |
| Opens to a pressure difference of | bar | 2 | 2 | 2 |
| Ambient temperature | °C | 0 – 50 | 0 – 50 | 0 – 50 |
| Mounting orientation | | any | any | any |
| Seals | | FPM | FPM | FPM |
| Weight | kg | 0.3 | 0.4 | 0.55 |

SELECTION DATA

| | | | | |
|------------------|----------|-------------------|----------------------------|----------------------------|
| Angle valve | | DN 16 ISO-KF | DN 16 ISO-KF | — |
| Inline valve | | — | — | DN 16 ISO-KF |
| Housing material | AISI/DIN | aluminum -/3.2373 | stainless steel 304/1.4301 | stainless steel 304/1.4301 |

ORDERING INFORMATION PNEUMATICALLY ACTUATED

| Type | VAP016-A | VAP016-X | VIP016-X |
|---|-------------------------|----------------|----------------|
| Angle valve w/o pilot valve, w/o position indicator | 250-290 | 250-295 | — |
| Angle valve w/o pilot valve, with position indicator | 250-204 | 250-214 | — |
| Inline valve w/o pilot valve, with position indicator | — | — | 250-314 |
| Valve with pilot valve, with position indicator | | | |
| 24 V DC | Part No. 250-200 | 250-210 | 250-310 |
| 24 V AC | Part No. 250-201 | 250-211 | 250-311 |
| 100 – 115 V AC | Part No. 250-202 | 250-212 | 250-312 |
| 200 – 240 V AC | Part No. 250-203 | 250-213 | 250-313 |
| 24 VDC, normally open | Part No. 250-206 | 250-216 | 250-316 |

SPARE PARTS

| | | | |
|---|----------------|----------------|----------------|
| Seal set | 215-025 | 215-025 | 215-025 |
| Bellows set for pneumatically actuated valves | 215-027 | 215-027 | 215-027 |

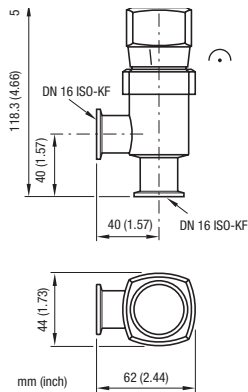
SPECIFICATIONS PNEUMATICALLY ACTUATED

| | | | | |
|--|-----------------|----------------------|----------------------|----------------------|
| Service life | Mio cycles | 10 | 10 | 10 |
| Conductance for molecular flow | l/s | 4.5 | 4.5 | 2.5 |
| Tightness | mbar l/s | 1 x 10 ⁻⁹ | 1 x 10 ⁻⁹ | 1 x 10 ⁻⁹ |
| Pressure, absolut, min. / max. | mbar / bar | 10 ⁻⁸ / 2 | 10 ⁻⁸ / 2 | 10 ⁻⁸ / 2 |
| Pressure resistance | bar (abs.) | 4 | 4 | 4 |
| Differential pressure in closing / opening direction | bar | 4 / 2 | 4 / 2 | 4 / 2 |
| opens to a pressure difference of | bar | 4 | 4 | 4 |
| Ambient temperature | °C | 0 – 50 | 0 – 50 | 0 – 50 |
| Switching frequency | 1/min | 100 | 100 | 100 |
| Closing time | ms | 200 | 200 | 200 |
| Opening time | ms | 100 | 100 | 100 |
| Electrical position indicator, Load capacity | VAC / A | 250 / 0.125 | 250 / 0.125 | 250 / 0.125 |
| | VDC / A | 50 / 0.25 | 50 / 0.25 | 50 / 0.25 |
| Compressed air, overpressure | bar | 3 – 7 ¹⁾ | 3 – 7 ¹⁾ | 3 – 7 ¹⁾ |
| Air cylinder volume | cm ³ | 5.5 | 5.5 | 5.5 |
| Mounting orientation | | any | any | any |
| Seals | | FPM | FPM | FPM |
| Weight | kg | 0.3 | 0.4 | 0.44 |

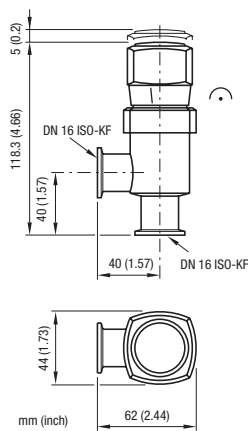
1) No-type 3-5 bar

DIMENSIONS MANUALLY ACTUATED

VAH016-A / VAH016-X

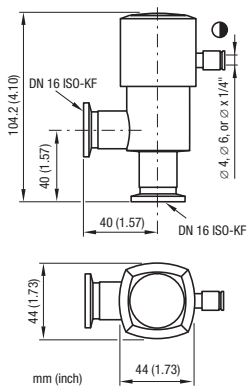


VIH016-X



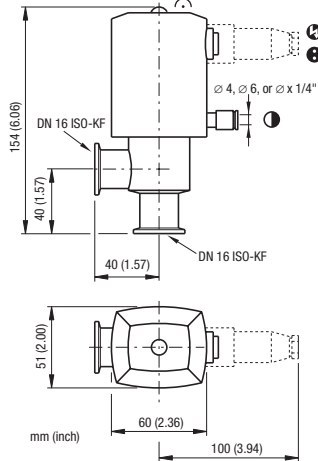
DIMENSIONS PNEUMATICALLY ACTUATED

VAP016-A / VAP016-X



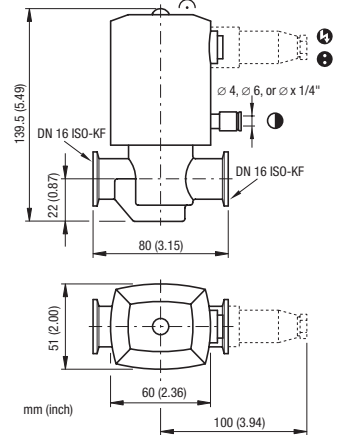
Angle valve w/o pilot valve,
w/o position indicator

VAP016-A / VAP016-X



Angle valve with and w/o pilot valve,
with position indicator

VIP016-X



Inline valve with and w/o pilot valve,
with position indicator



GLOBAL HEADQUARTERS:

Two Technology Place, East Syracuse, NY 13057 USA
Tel: +1.315.434.1100 Fax: +1.315.437.3803 E-mail: reachus@inficon.com

UNITED STATES FRANCE GERMANY LIECHTENSTEIN SWITZERLAND UNITED KINGDOM CHINA JAPAN KOREA SINGAPORE TAIWAN

Visit our website for contact information and other sales offices worldwide. www.inficon.com
Due to our continuing program of product improvements, specifications are subject to change without notice.
siba12e1 (2004-05) ©2003 INFICON Inc.