



Technical Note: 10000028

Installation of Crystal Retainer

The ceramic piece on the ceramic crystal retainer assembly (123202-2) may be cracked by improper installation into the crystal drawer.

Follow the procedure below to install the crystal retainer assembly into the drawer.

Lay the drawer flat on a surface.

Hold the retainer assembly at (A) and (B) with your thumb and fore fingers. Place the retainer assembly onto the drawer at an angle as shown in (1).

Slide the retainer assembly back in the direction shown in (2) at the same time let point (C) rest on the drawer.

Push down on point (C) in the direction shown in (2) retainer assembly should sit flat on drawer as shown in (3).

To remove, reverse the procedure. Lift up on end (A), one corner (B), and then the other corner (C).

CAUTION: Do not push on contact spring (D). Pushing this spring tends to flatten it and may result in loss of electrical contact.

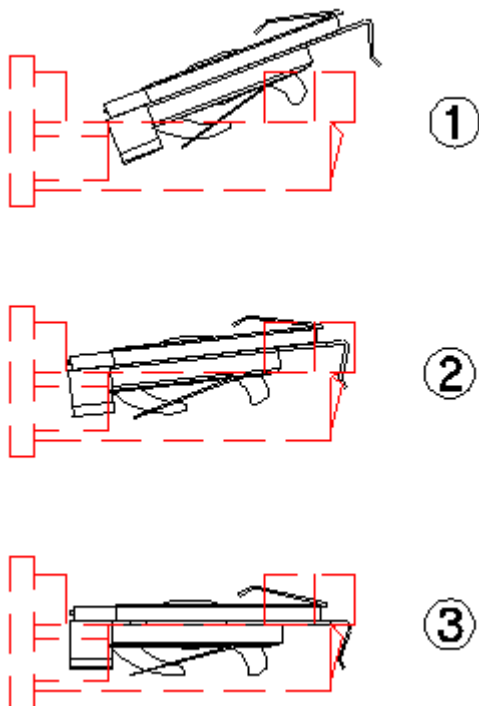


Figure 1 Side View

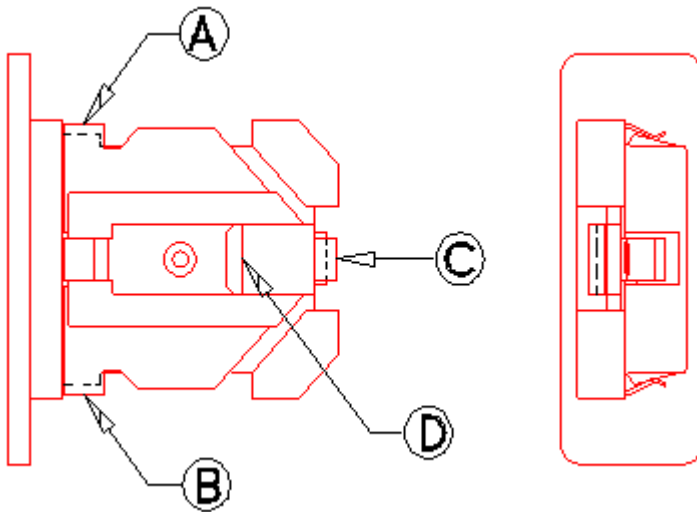


Figure 2 Top & Front Views

Document Title:	Installation of Crystal Retainer
Document ID:	10000028
Creation Date:	
Modified Date:	12/1/2005
Related Products:	ASF-140/ASF-141 , BDS-250/BDS-251 , BSH-150/BSH-151 , DSH5P1 , SF-120 , SH-101/SH-102 , Vacuum Crystals
Product Line:	Thin Film / Vacuum
Notes:	Originally released as THIN FILM TECHNICAL NOTE V-128